



# PRODUCT CATALOGUE

ORIGINAL SPARE PARTS

Edition 2020

Order no. 8 018 1020 00

Failsafe, true to size, and perfectly adjusted to the relevant component or the complete system, so that you can rely 100 % on **SAF-HOLLAND ORIGINAL PARTS** – whatever the application, whatever the circumstances, and all over the world. This means you can be certain of always being able to carry out your transportation orders reliably and highly efficiently, because in addition to their uncompromising quality, **SAF-HOLLAND ORIGINAL PARTS** have the following advantages to offer:

### 1. WE DELIVER FAST – OFTEN EVEN WITHIN 24 HOURS

Time is money, and machine downtime costs you money, so we maintain a sophisticated logistics system for parts and can thus react quickly if required. You can obtain **SAF-HOLLAND ORIGINAL PARTS** either through our dense global network of more than 9000 competent dealerships and service partners, or directly from one of our own central backup warehouses. So that you can get back on the move again as quickly as possible — often within 24 hours.

### 2. YOU WILL GET PRACTICALLY EVERYTHING – EX WAREHOUSE

If servicing or repairs are needed, we are at your immediate disposal: Because we have been dealing with the demands of spare part dealers, garages and fleet customers for decades, we are well-placed to be able to cater for them in day-to-day operations. The solid basis for this is the unusually wide and extensive range of **SAF-HOLLAND ORIGINAL PARTS** we offer – and our country organizations throughout Europe always keep stocks of the most important parts. Efficiency from A-Z — on standby ex warehouse.

### 3. CONTINUOUSLY AVAILABLE – FOR YEARS

Longevity and ease of servicing are just two of the outstanding performance features of our components and systems. They are thus often in use in trucks and trailers for many years without any problems, not least because of the key contribution made by **SAF-HOLLAND ORIGINAL PARTS** towards ensuring their reliability and maintaining their value. This contribution alone is reason enough for us to ensure that you can obtain exactly the part you need at any time — for years.

### 4. YOU CAN BE CERTAIN THAT YOU ARE GETTING EXACTLY THE PART THAT YOU NEED

It is not only in the development and production of our products that we have always seen ourselves as pioneers. In supplying spare parts, too, we always look for our own, even better solution. Consequently, you will already find a QR-code on many of our components and systems – your electronic key to an immediate overview of all the relevant **SAF-HOLLAND ORIGINAL PARTS**. With it you can unequivocally establish at any time exactly which part you really need. This is not only particularly convenient and practical, but above all 100 % certain.

### 5. COMPETENCE AND SERVICE – HAND IN HAND

We see ourselves not only as a supplier of highly efficient parts and systems: more than anything else, we are also your guarantee of a continuous and certain supply of spare parts. Accordingly, we are constantly monitoring our standards, and we maintain direct contact with our trade and workshop partners and with our fleet customers. This allows us to put our production quality and the speed and reliability of our logistics to the test again and again, enabling us to improve the **SAF-HOLLAND ORIGINAL PARTS** service systematically — hand in hand with our customers and suppliers.

### 6. WE ARE THERE FOR YOU – WITH ADVICE AND ASSISTANCE AT THE READY

“The whole is more than the sum of all the parts”, as they say – and that is why for us, supplying spare parts means far more than simply providing them. For us, it also means service and commitment, and we offer practical support as a matter of course – whether it’s a question of giving you personal advice or the practical solution to a problem. Whenever you need **SAF-HOLLAND ORIGINAL PARTS**, we are the crucial “part”, because we will always be there for you – committed, professional and reliable, with advice and assistance at the ready.

**WITH THE QUALITY OF THE ORIGINAL:  
SAVE TIME AND MONEY – AND GAIN CERTAINTY FOR  
PLANNING AND IMPLEMENTATION!**

# FIFTH WHEEL SECTION GUIDE



6 t

- light distribution traffic
- mid-sized carrier class
- recreational vehicles up to 7.5 t



14/15 t

- Flexible distribution traffic
- Volume carrier
- Two-axle tractor



20 t

- Standard long-distance haulage
- Silo/tank/volume transport
- Two- and three-axle tractors



36 t

- HGV traffic
- Traffic in difficult terrain

## GC 6



Imposed load: 6000 kg  
D-value: 49 kN  
Overall height: 120 mm

Page 24

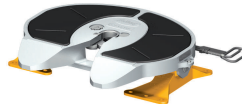
## FW3214-W



Imposed load: 14000 kg  
D-value: 104 kN  
Overall heights: 165, 190, 225 mm

Page 28

## FWAL-E



Imposed load: 20000 kg  
D-value: 150 kN  
Overall heights: 167, 197, 219 mm

Page 69

## SK-HD 38.36



Lock size: 2"/3,5"  
Imposed load: 23000 kg (2")  
36000 kg (3,5")  
D-value: 162/260 kN  
Overall heights: 150, 190 mm

Page 88

## SK-S 36.20 H



Imposed load: 15000 kg  
D-value: 110 kN  
Overall heights: 167 mm  
Lift heights: 100, 150, 200 mm

Page 81

## SK-S 36.20



Imposed load: 20000 kg  
D-value: 152 kN  
Overall heights: 128, 150, 185, 225, 250 mm

Page 32

## SK-HD 38.36 G



Fifth wheel for off-road use with gimbal mounting  
Lock size: 2"/3,5"  
Imposed load: 23000 kg (2")  
36000 kg (3,5")  
D-value: 162/260 kN  
Overall heights: 290 mm

Page 92

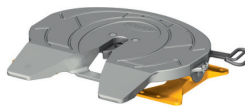
## SK-S 36.20W



Imposed load: 20000 kg  
D-value: 152 kN  
Overall heights: 128, 150, 185, 225, 250 mm

Page 38

## FW3510



Imposed load: 23000 kg  
D-value: 175 kN  
Overall heights: 150, 180, 200 mm

Page 64

# FIFTH WHEEL SECTION GUIDE



45 – 75 t

- Extremely heavy goods transports and special transports



Terminal

- For transport with terminal tractor units



Harbour

- Special model for harbor applications

## FW0100



Imposed load: 45000 kg  
 D-value: 165/170 kN (2")  
 240 kN (3,5")  
 Overall heights: 230, 270 mm

Page 96

## FW3510-TR



Imposed load: 36000 kg  
 23000 kg\*  
 D-value: 175 kN  
 \* (when used in highway traffic)

Page 104

## FW0E70-T



Imposed load: 45000 kg  
 D-value: 165 kN (2")  
 250 kN (3,5")

Page 108

## FW0165



Imposed load: 74000 kg  
 D-value: 165/170 kN (2")  
 240 kN (3,5")  
 Overall heights: 230, 270 mm

Page 100

## Kingpin



D-value 2"	50S15	165 kN
D-value 2"	50S18	165 kN
D-value 3,5"	90S15	165 kN
D-value 3,5"	90S18	320 kN

Page 163

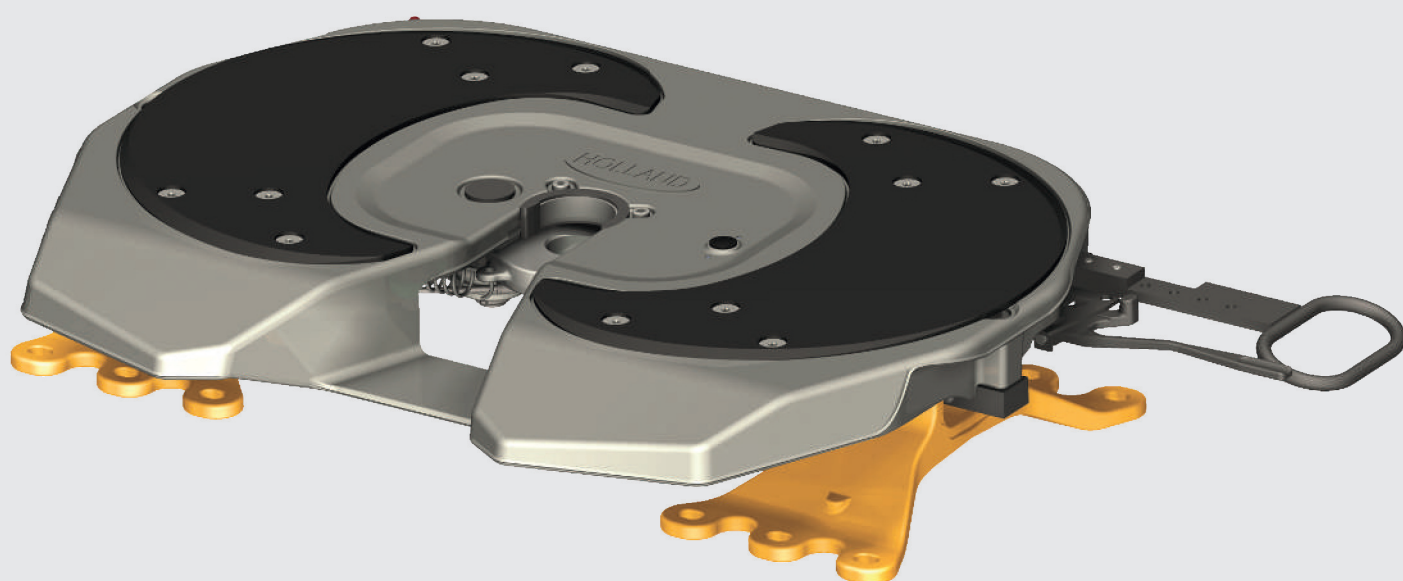
### Technical Data

The load data specified only applies to operation on paved roads and to transport conditions usual in Central Europe. Please contact us regarding operating conditions which deviate from these. We reserve the right to modify dimensions or design if required. No responsibility is taken for the correctness of the details provided, these are solely intended for technical information.



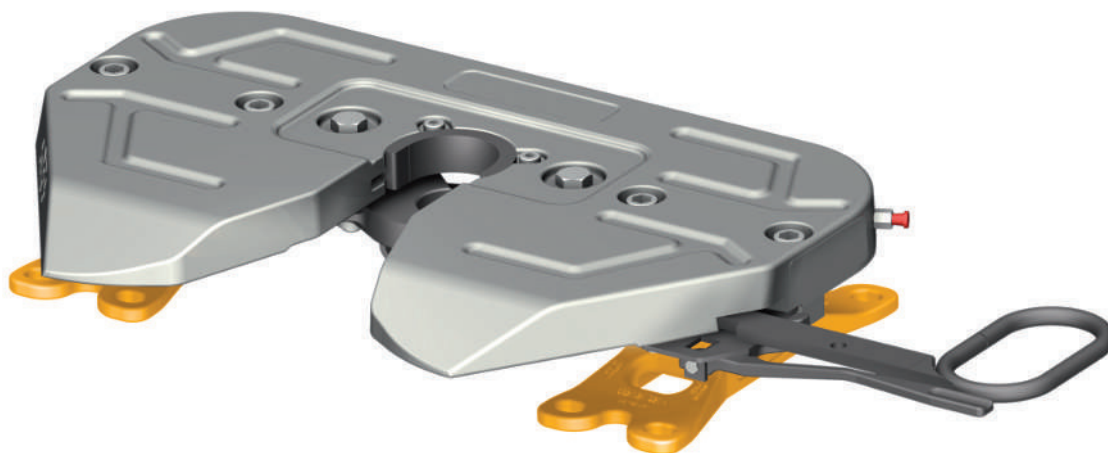


SAF-HOLLAND Group



# FIFTH WHEELS

## GC 6

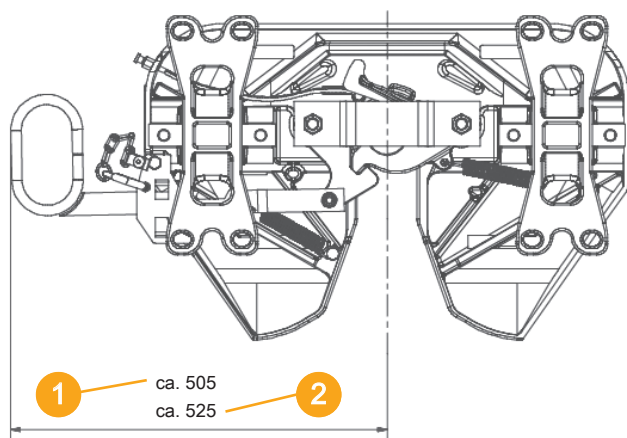
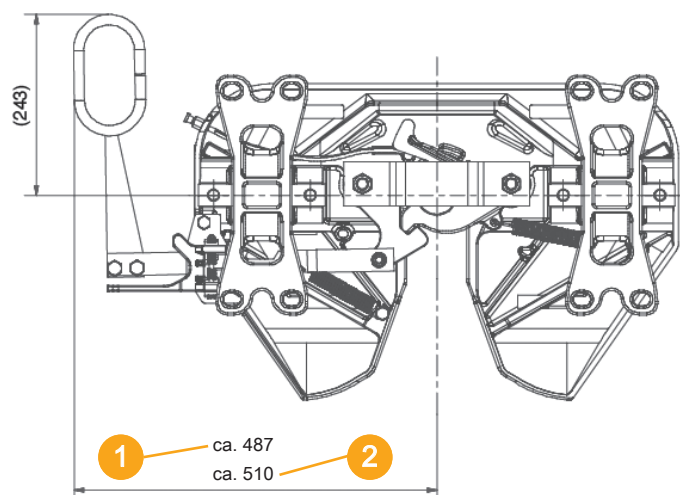
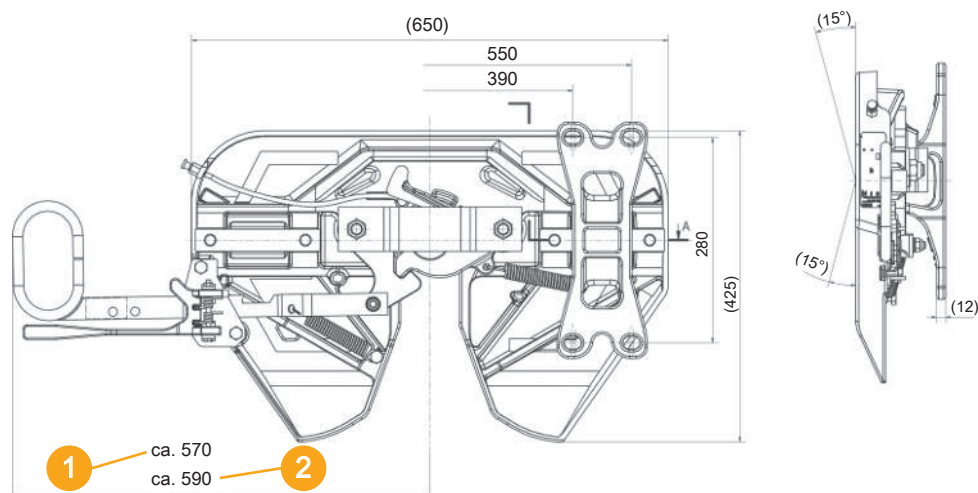


- Approved for forced steering
- ECE Type Approval no: E11 55R-01 6737
- ECE Type Approval no: E11 55R-01 6737
- No mounting plate required

### TECHNICAL DATA

Type	Lock size [Inch]	Overall height [mm]	Imposed load [t]	D-value [kN]	Weight [kg]	Angle of inclination degree (w1/w2)	Order no.
Standard	2"	120	6	49	45	max.15° / max.15°	<b>662121005</b>
grip	2"	120	6	49	45	max.15° / max.15°	<b>662121006</b>
snap hook	2"	120	6	49	45	max.15° / max.15°	<b>662121007</b>

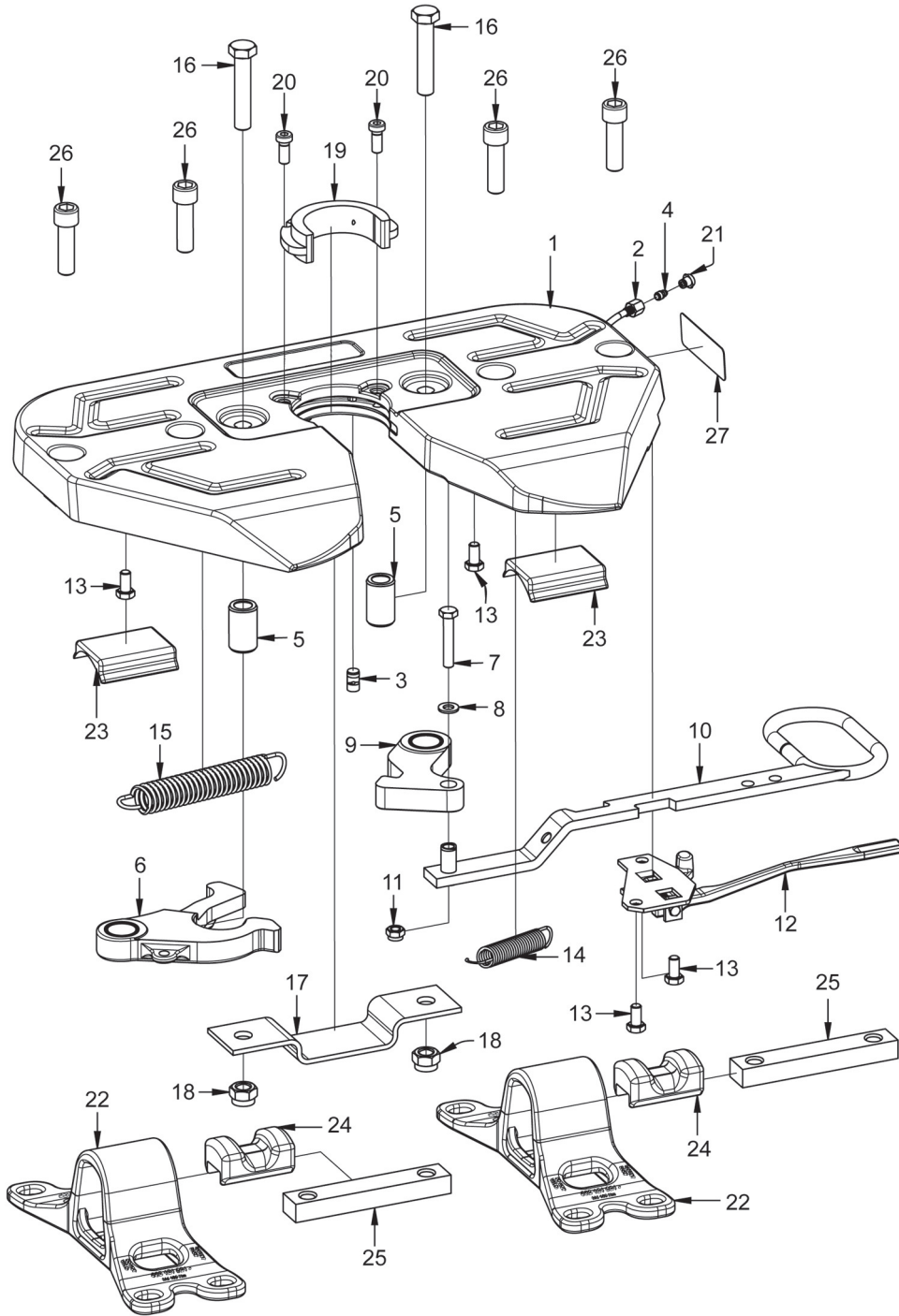
## DIMENSIONS



- 1 In Position "locked"
- 2 In Position "unlocked"

Subject to modifications in dimensions and design

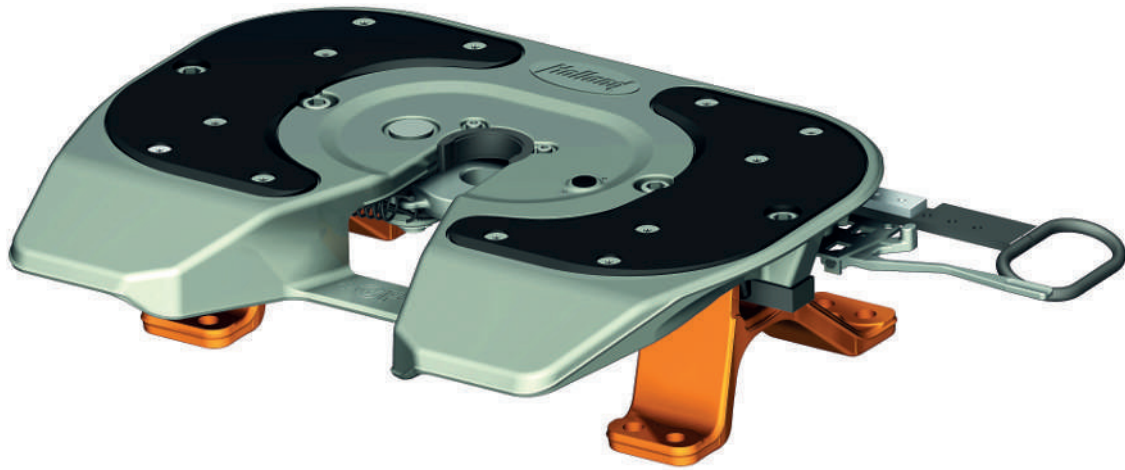
# SPARE PARTS GC 6



Item	Component	Dimensions	Pcs.	Order no.
	Repair kit wear ring (19, 20)			<b>662101534</b>
	Repair kit locking mechanism (6, 16, 18, 19, 20)			<b>662101739</b>
	Repair kit bearing (23, 24, 25, 26)			<b>662101740</b>
	Coupling plate without mounting bracket			<b>662121010</b>
1	Coupling plate		1	
2	Lubrication tube		1	<b>659144160</b>
3	Plug		1	<b>662129380</b>
4	Grease nipple		1	<b>662126224</b>
5	Pin		2	<b>662119141</b>
6	Coupler jaw cpl.		1	
7	Hex-screw		1	<b>659112655</b>
8	U-washer		1	<b>662126175</b>
9	Locking hook cpl.		1	<b>662119139</b>
10	Operating handle		1	<b>662121027</b>
11	Hex-nut		1	<b>659100036</b>
12	Latch cpl.		1	<b>662121031</b>
13	Screw		4	<b>659112359</b>
14	Return spring		1	<b>662121029</b>
15	Return spring		1	<b>662126410</b>
16	Screw	M16x80	2	
17	Holder		1	<b>662119142</b>
18	Safety flange		2	
19	Wear ring		1	
20	Cylinder screw	M10x25	2	
21	Grease fitting cap		1	<b>659144142</b>
22	Mounting bracket	120mm	2	<b>662121021</b>
23	Bearing insert		2	
24	Rubber damping		2	
25	Tensioning bar		2	
26	Cylinder screw with hexagon socket		4	
27	Identification plate		1	



## FW3214-W

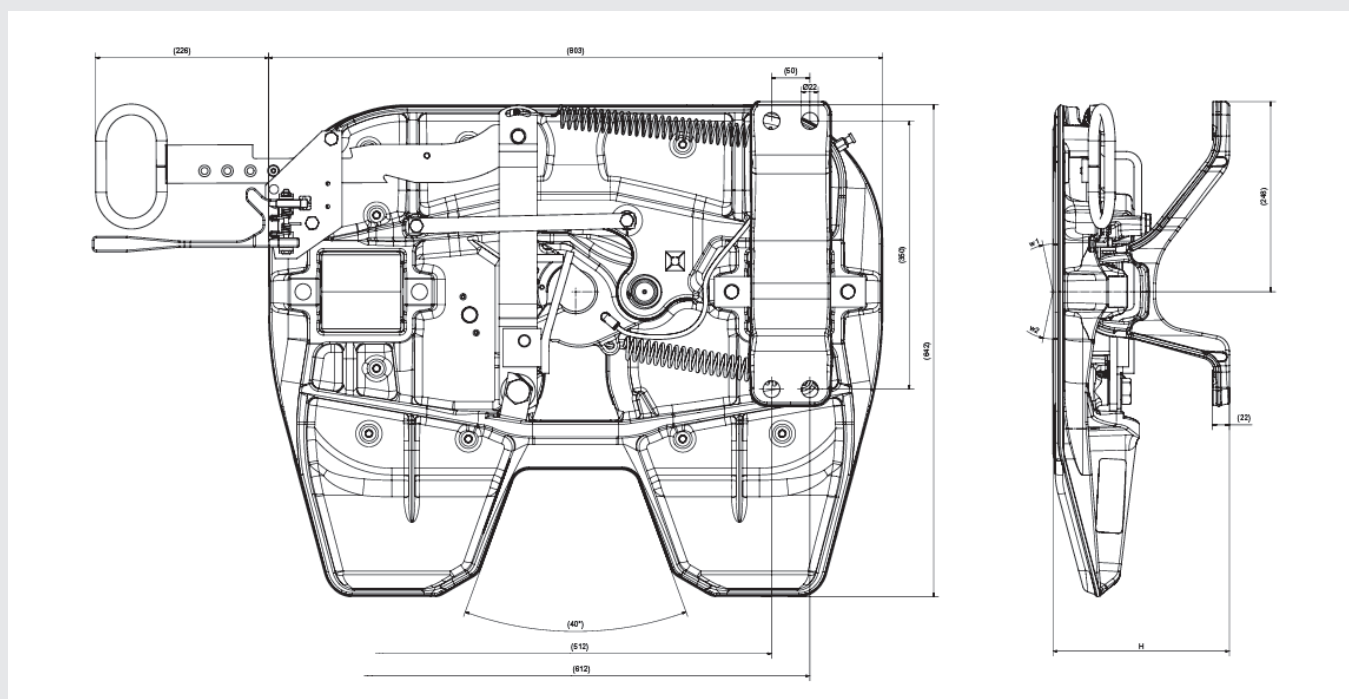


- **Please note:** This fifth wheel is only to be used for the Mercedes-Benz Actros 4 x 2 in certain configurations
- Ideal concept for Mercedes-Benz Antos and Actros 4 x 2 (18 t) tractors with the following specifications:
  - Wheel base 3700 mm with fifth wheel lead 600 mm
  - Wheel base 3850 mm with fifth wheel lead 550, 600, 650, 700, 750 or 800 mm
- The complete fifth wheel and mounting brackets are available from Daimler
- For automatic lubrication of the lock mechanism we recommend the use of our grease dispenser with adaptor (Page 160).
- ECE Type Approval no: E11 55R 017836

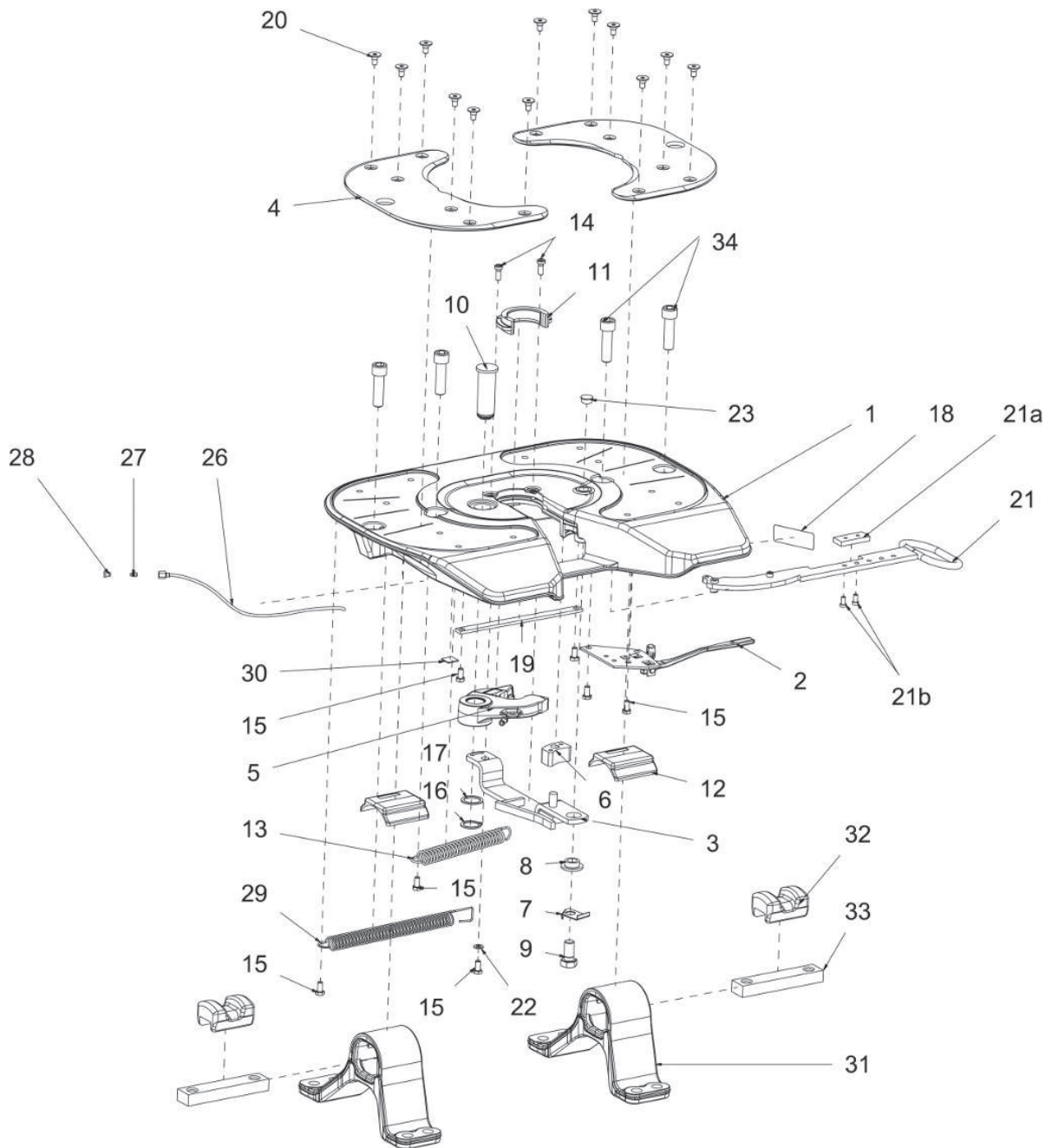
## TECHNICAL DATA

Type	Lock size [Inch]	Overall height [mm]	Imposed load [t]	D-value [kN]	Weight [kg]	Angle of inclination degree (w1/w2)	Order no.
FW3214-W	2	165	14	104	100	12 / 12	
FW3214-W	2	190	14	104	102	12 / 12	
FW3214-W	2	225	14	104	104	12 / 12	

## DIMENSIONS



# SPARE PARTS FW3214-W



Item	Component	Dimensions	Pcs.	Order no.
	Repair kit locking mechanism (5, 6, 7, 9, 10, 11, 14, 16, 17)			<b>662101517</b>
	Repair kit bearing (12, 32, 34)			<b>662101518</b>
	Repair kit wear ring (11,14)			<b>662101534</b>
	Repair kit for wear plate (4, 20)			<b>662101656</b>
	Repair kit locking (K) (K)*			<b>662101752</b>
	Repair kit locking (A) (A) (2, 15)			<b>662101753</b>
	Repair kit Operating handle (15, 21, 22, 29)			<b>662101754</b>
	Repair kit locking hock (3, 7, 8, 9, 15, 19)			<b>662101755</b>
	Repair kit Lubrication tube (26, 27, 28)			<b>662101757</b>
	Coupling plate without mounting bracket		1	<b>662134002</b>
1	Coupling plate		1	
2	Latch cpl.		1	
3	Locking hook cpl.		1	
4	Slider		2	
5	Coupler jaw cpl.		1	
6	Stopper		1	
7	Locking plate		1	
8	Bush		1	
9	Screw	M20x40	1	
10	Pin		1	
11	Wear ring		1	
12	Bearing insert		2	
13	Return spring		1	<b>662126411</b>
14	Cylinder screw	M10x25	2	
15	Screw	M10x20	7	
16	Circlip		1	
17	Supporting washer		1	
18	Identification plate		1	
19	Guide		1	
20	Flange screw		12	
21	Operating handle		1	
21a	Adjustment plate		1	
21b	Cylinder screw	M8x16	2	
22	U-washer	Ø10	1	
23	Plug		1	<b>659140916</b>
24	Protecting cap	6mm	2	<b>662126255</b>
26	Lubrication tube complete		1	
27	Grease nipple	M8x1	1	
28	Grease fitting cap		1	
29	Return spring		1	<b>662134317</b>
30	Mounting base		1	
31	Mounting bracket	Overall height 165mm	2	
	Mounting bracket	Overall height 190mm	2	
	Mounting bracket	Overall height 225mm	2	
32	Rubber damping		2	
33	Tensioning bar		2	
34	Cylinder screw	M20x70	4	

\* The coupling is delivered from the factory only with an automatic locking device. It can be retrofitted with the carabiner safety hook using kit 662 101 752.

## SK-S 36.20 (STANDARD)



- Approved for forced steering
- ECE Type Approval no: E1 55R-01 0218



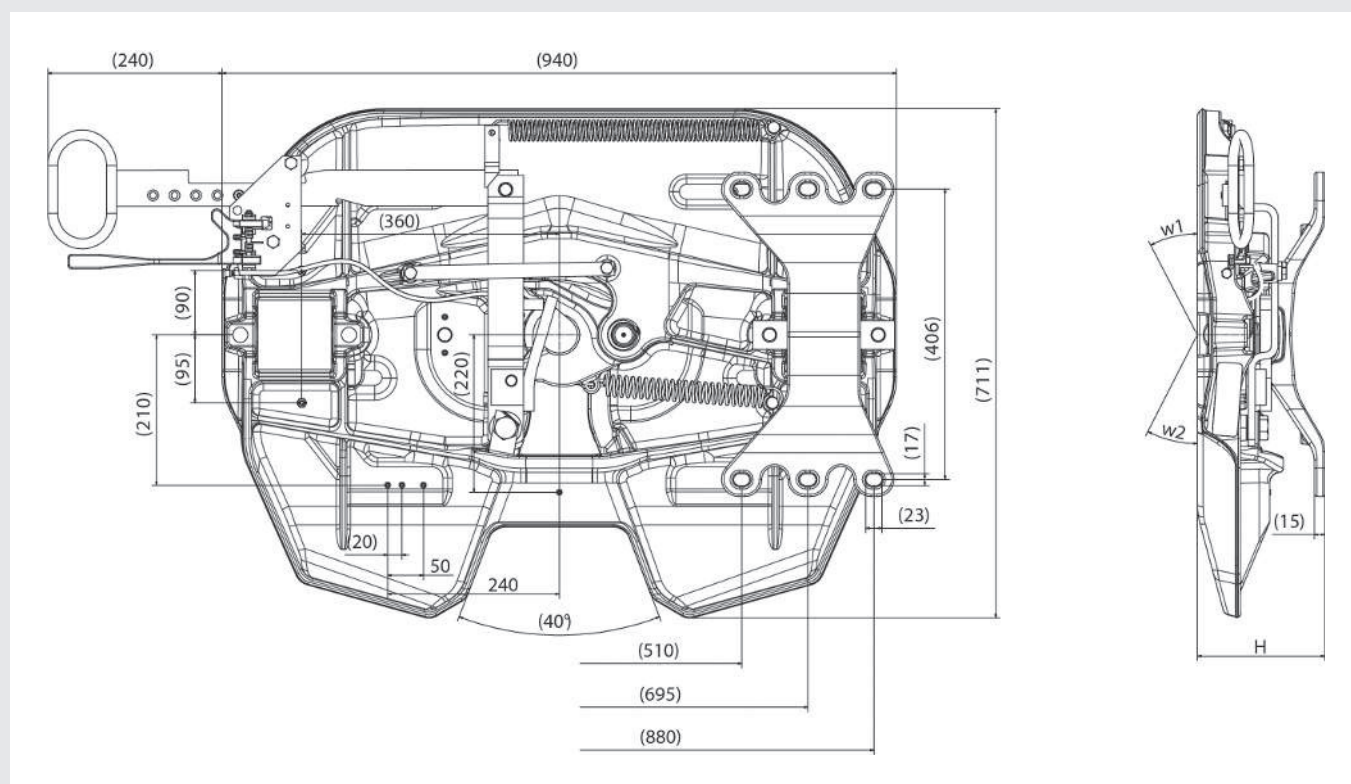
## TECHNICAL DATA

Type	Lock size [Inch]	Overall height [mm]	Imposed load [t]	D-value [kN]	Weight [kg]	Angle of inclination degree (w1/w2)	Order no.
SK-S 36.20	2"	128*	20	152	116	8° / 8°	<b>662129046</b>
SK-S 36.20	2"	150	20	152	116	8° / 13°	<b>662129038</b>
SK-S 36.20 - Export**	2"	150	20	152	125	8° / 13°	<b>662129084</b>
SK-S 36.20	2"	185	20	152	119	17° / 26°	<b>662129048</b>
SK-S 36.20 - Export**	2"	185	20	152	123	17° / 26°	<b>662129085</b>
SK-S 36.20	2"	225	20	152	121	23° / 30°	<b>662129031</b>
SK-S 36.20	2"	250	20	152	131	29° / 42°	<b>662129049</b>

\* Tilt angle in accordance with ISO 1726 for height 128 mm is only guaranteed with our mounting plate MP 486

\*\* Reinforced mounting brackets for applications outside the European Union

## DIMENSIONS

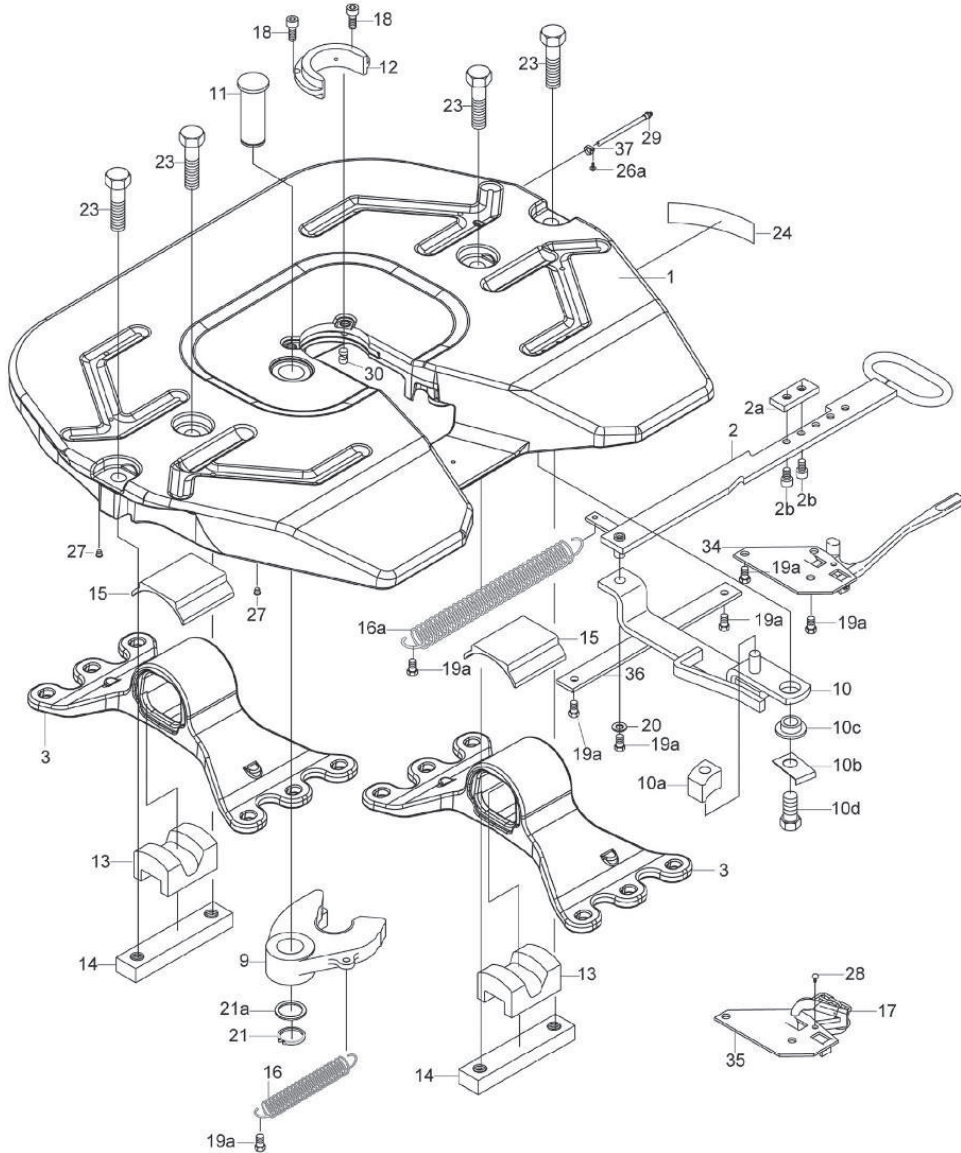


Mounting hole pattern according to DIN 74081

Subject to modifications in dimensions and design

## SPARE PARTS SK-S 36.20

Repair kits also apply to SK-S 36.20 D



Item	Component	Dimensions	Serial no.	Pcs.	Order no.
	Repair kit bearing (13, 15, 23)			1	662101473
	Repair kit locking mechanism (9, 11, 12, 18, 21)		0 - 12999	1	662101475
	Repair kit locking mechanism and bearings (9, 11, 12, 13, 15, 18, 21, 21a, 23)		0 - 12999	1	662101477
	Repair kit locking mechanism (9, 10a, 10b, 10d, 11, 12, 18, 21, 21a)		13000 - ...	1	662101492
	Repair kit locking mechanism and bearings (9, 10a, 10b, 10d, 11, 12, 13, 15, 18, 21, 21a, 23)		13000 - ...	1	662101493
	Repair kit wear ring (19, 20)		0 - 12999	1	662101565
	Repair kit wear ring (12, 18)		13000 - ...	1	662101566
	Repair kit Operating handle			1	662101746
	Repair kit locking hock (10, 10b, 10c, 10d, 19a, 36)			1	662101747

Item	Component	Dimensions	Serial no.	Pcs.	Order no.
	Repair kit locking (A) (19a, 34)			1	662101748
	Repair kit locking (K) (17, 19a, 28, 35)			1	662101749
	Repair kit Lubrication tube (26a, 27, 29, 30, 37, 40, 46, 47)			1	662101750
	Repair kit Return spring (16, 16a)			1	662101751
	Coupling plate without mounting bracket			1	662129003
1	Coupling plate			1	
2*	Operating handle		13000 - ...	1	
2a	Adjustment plate		13000 - ...	1	
2b	Cylinder screw	M8x16	13000 - ...	2	
3	Mounting bracket	128mm		2	662129383
3	Mounting bracket	150mm		2	662129584
3	Mounting bracket	150mm - EXPORT		2	662129384
3	Mounting bracket	185mm		2	662129485
3	Mounting bracket	185mm - EXPORT		2	662129385
3	Mounting bracket	225mm		2	662129389
3	Mounting bracket	250mm		2	662129386
9	Coupler jaw cpl.			1	
10*	Locking hook		13000 - ...	1	
10a	Stopper			1	
10b	Locking plate			1	
10c	Bush			1	
10d	Screw	M20x40		1	
11	Pin			1	
12	Wear ring		13000 - ...	1	
12	Wear ring		0 - 12999	1	
13	Rubber damping			2	
14	Tensionning bar			2	
15	Bearing insert			2	
16	Return spring			1	
16a	Return spring			1	
17	Clipper with linkage			1	
18	Cylinder screw	M10x25	0 - 12999	2	
18	Cylinder screw	M10x25	0 - 13000	2	
19a	Screw	M10x16	0 - 12999	5	
19a	Screw	M10x20	13000 - ...	7	
20	U-washer	Ø10		1	
21	Circlip			1	
21a	Supporting washer			1	
23	Screw	M20x80		4	
24	Identification plate			1	
26	Groove pin	3x8		2	
26a	Groove pin	4x10		1	
27	Protecting cap		0 - 12999	2	
27	Protecting cap		13000 - ...	5	
28	Rivet			1	
29	Lubrication tube complete	L=410	0 - 35177	1	
30	Plug		13000 - ...	1	
34	Automatic latch			1	
35	Latch cpl.		0 - 11999	1	
35	Latch cpl.		12000 - ...	1	
36	Guide			1	
37	Mounting			1	

Item	Component	Dimensions	Serial no.	Pcs.	Order no.
38	Screw	M10x25	0 - 12999	2	
	Fixing nut		0 - 12999	1	<b>662126176</b>
	Grease nipple	M8x1	0 - 12999	1	
	Eyebolt		0 - 12999	1	<b>662126465</b>
	Protecting cap(not shown )		0 - 12999	4	<b>662129393</b>
	Central lubrication kit*				<b>659144148</b>

\* Serial no. 0-11999: spare part on request.

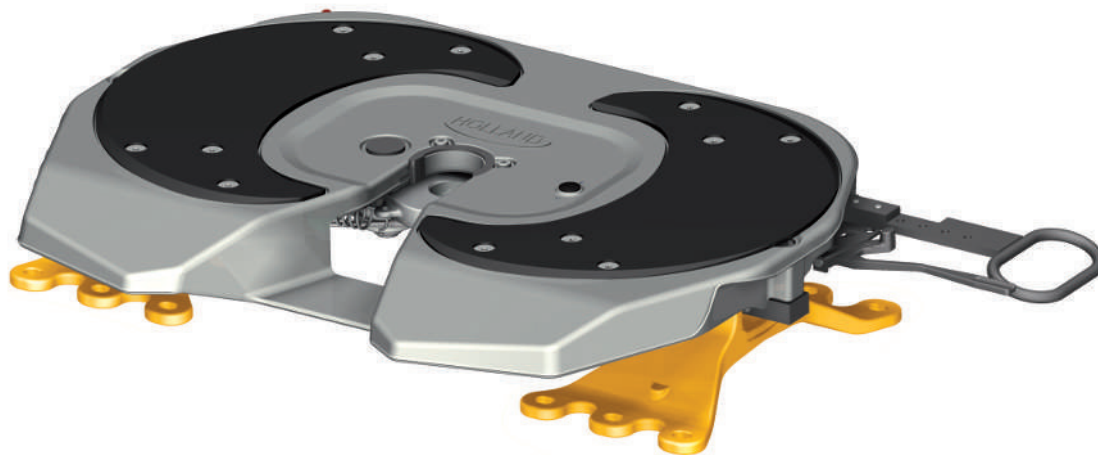
Serial no. 12000-12999: both components have to be exchanged when changing the operating handle or the locking hook.

\*\* Not usable with Volvo vehicles.





## SK-S 36.20 W (LOW MAINTENANCE)



- Approved for forced steering
- ECE Type Approval no: E1 55R-01 0218

For automatic lubrication of the locking mechanism we recommend the use of our grease dispenser with adaptor (Page 160).

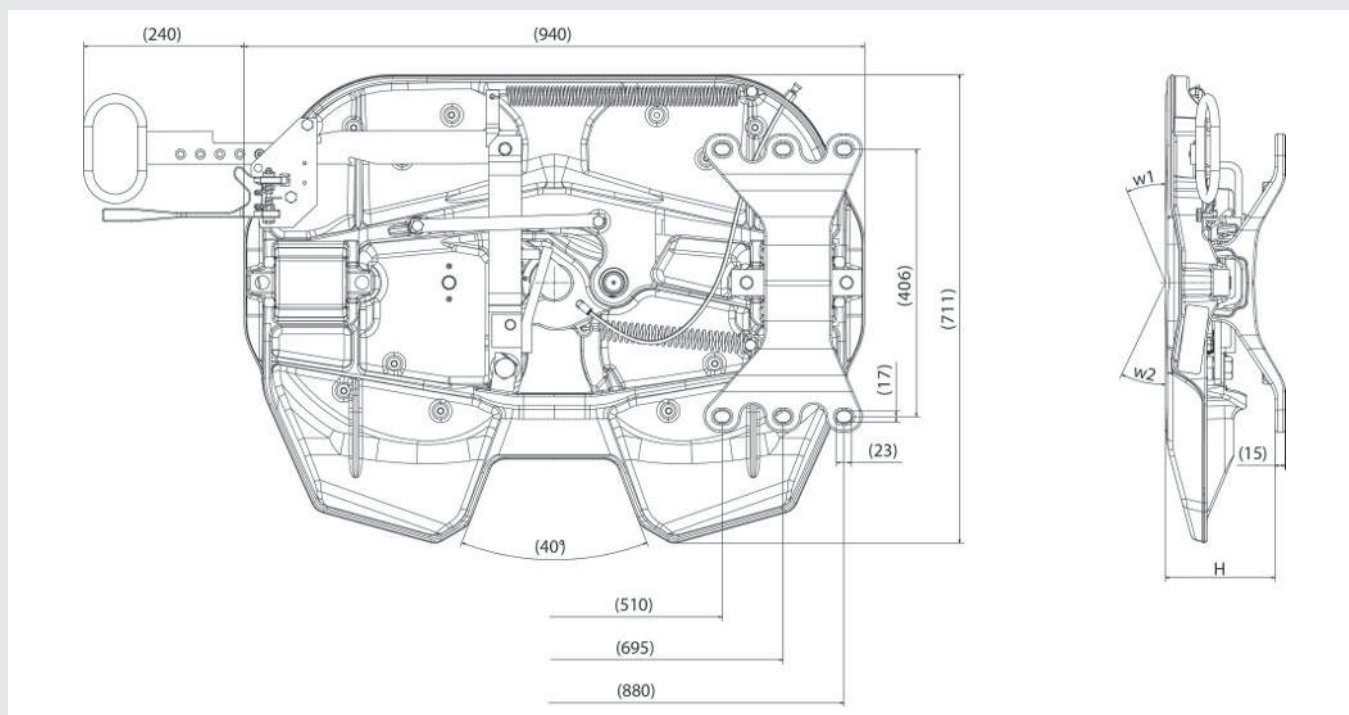
## TECHNICAL DATA

Type	Lock size [Inch]	Overall height [mm]	Imposed load [t]	D-value [kN]	Weight [kg]	Angle of inclination degree (w1/w2)	Order no.
SK-S 36.20 W	2"	128*	20	152	117	8° / 8°	<b>662131011</b>
SK-S 36.20 W	2"	150	20	152	118	8° / 13°	<b>662131088</b>
SK-S 36.20 W - Export**	2"	150	20	152	121	8° / 13°	<b>662131812</b>
SK-S 36.20 W	2"	185	20	152	121	17° / 26°	<b>662131013</b>
SK-S 36.20 W - Export**	2"	185	20	152	124	17° / 26°	<b>662131085</b>
SK-S 36.20 W	2"	225	20	152	124	23° / 30°	<b>662131042</b>
SK-S 36.20 W	2"	250	20	152	134	29° / 42°	<b>662131014</b>

\* Tilt angle in accordance with ISO 1726 for height 128 mm is only guaranteed with our mounting plate MP 486

\*\* Reinforced mounting brackets for applications outside the European Union

## DIMENSIONS

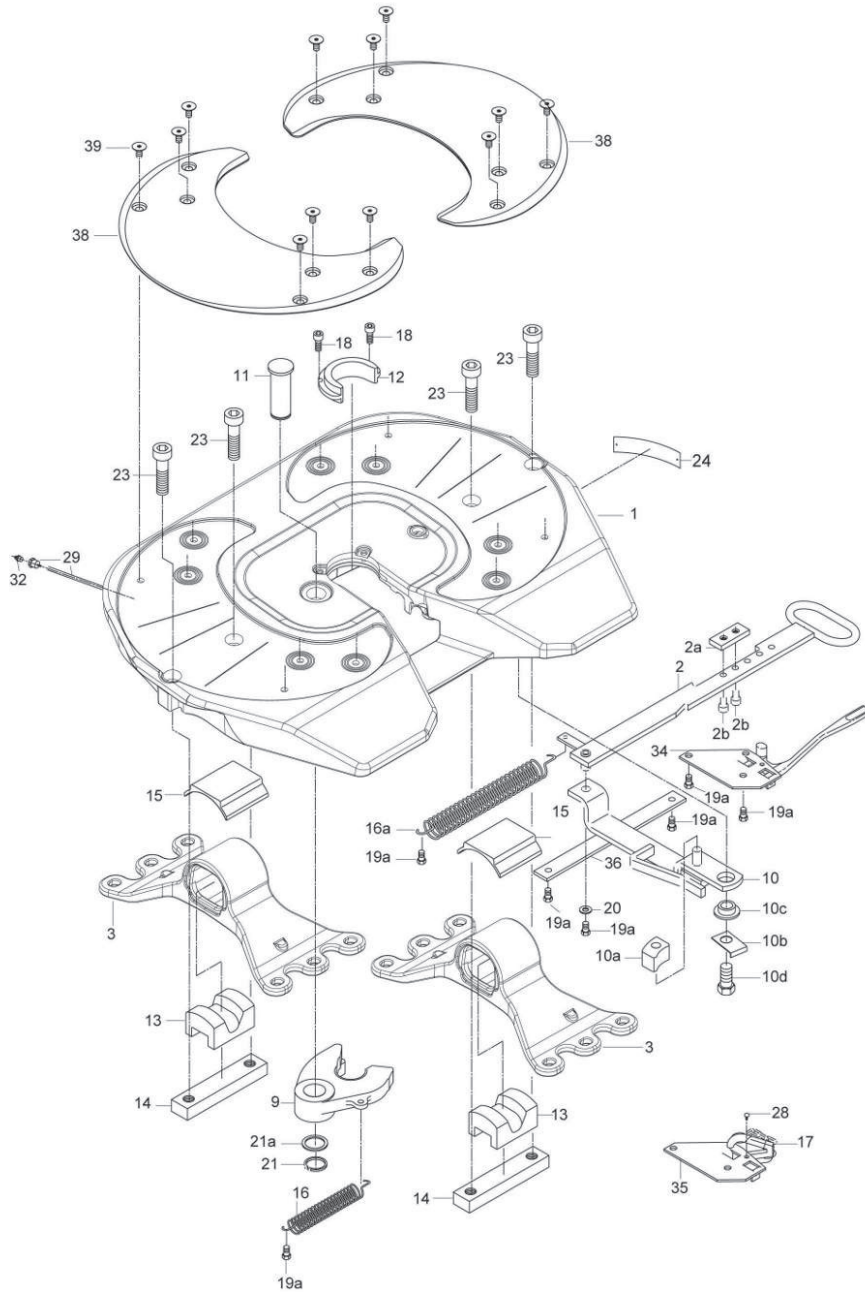


Mounting hole pattern according to DIN 74081

Subject to modifications in dimensions and design

## SPARE PARTS SK-S 36.20 W

Repair kits also apply to SK-S 36.20 DW



Item	Component	Dimensions	Serial no.	Pcs.	Order no.
	Repair kit for wear plate (38, 39)				662101469
	Repair kit locking mechanism and bearings (9, 10a, 10b, 10d, 11, 12, 13, 15, 18, 21, 21a, 23)				662101516
	Repair kit locking mechanism (9, 10a, 10b, 10d, 11, 12, 18, 21, 21a)				662101517
	Repair kit bearing				662101518
	Repair kit wear ring				662101534

Item	Component	Dimensions	Serial no.	Pcs.	Order no.
	Mounting kit for fifth wheel plate (W) without mounting bracket (13, 14, 15, 23, 38, 39)				662101738
	Repair kit Operating handle			1	662101746
	Repair kit locking hock (10, 10b, 10c, 10d, 19a, 36)			1	662101747
	Repair kit locking (A) (19a, 34)			1	662101748
	Repair kit locking (K) (17, 19a, 28, 35)			1	662101749
	Repair kit Return spring (16, 16a)			1	662101751
	Coupling plate (W) without mounting bracket ( assembly kit necessary)				662131002
1	Coupling plate			1	
2*	Operating handle		13000 - ...	1	
2a	Adjustment plate		13000 - ...	1	
2b	Cylinder screw	M8x16	13000 - ...	2	
3	Mounting bracket	128mm		2	662129383
3	Mounting bracket	150mm		2	662129584
3	Mounting bracket	150mm - EXPORT		2	662129384
3	Mounting bracket	185mm		2	662129485
3	Mounting bracket	185mm - EXPORT		2	662129385
3	Mounting bracket	225mm		2	662129389
3	Mounting bracket	250mm		2	662129386
9	Coupler jaw cpl.			1	
10	Locking hook			1	
10a	Stopper			1	
10b	Locking plate			1	
10c	Bush			1	
10d	Screw	M20x40		1	
11	Pin			1	
12	Wear ring			1	
13	Rubber damping			2	
14	Tensionning bar			2	
15	Bearing insert			2	
16	Return spring			1	
16a	Return spring			1	
17	Clipper with linkage			1	
18	Cylinder screw	M10x25	0 - 12999	2	
19a	Screw	M10x20	13000 - ...	7	
20	U-washer	Ø10		1	
21	Circlip			1	
21a	Supporting washer			1	
23	Cylinder screw	M20x70		4	
24	Identification plate			1	
26	Groove pin	3x8		2	
28	Rivet			1	
29	Lubrication tube complete	L=410	0 - 35177	1	
29	Lubrication tube complete	L=495	35178 - ...	1	659144146
32	Grease nipple	M8x1	0 - 12999	1	662126224
34	Automatic latch			1	
35	Latch cpl.		12000 - ...	1	
36	Guide			1	
38	Slider			1	
39	Flange screw			12	

## SK-S 36.20 NOLUBE



- Permanent, maintenance-free bearings
- Approved for forced steering
- ECE Type Approval no: E1 55R-01 0218



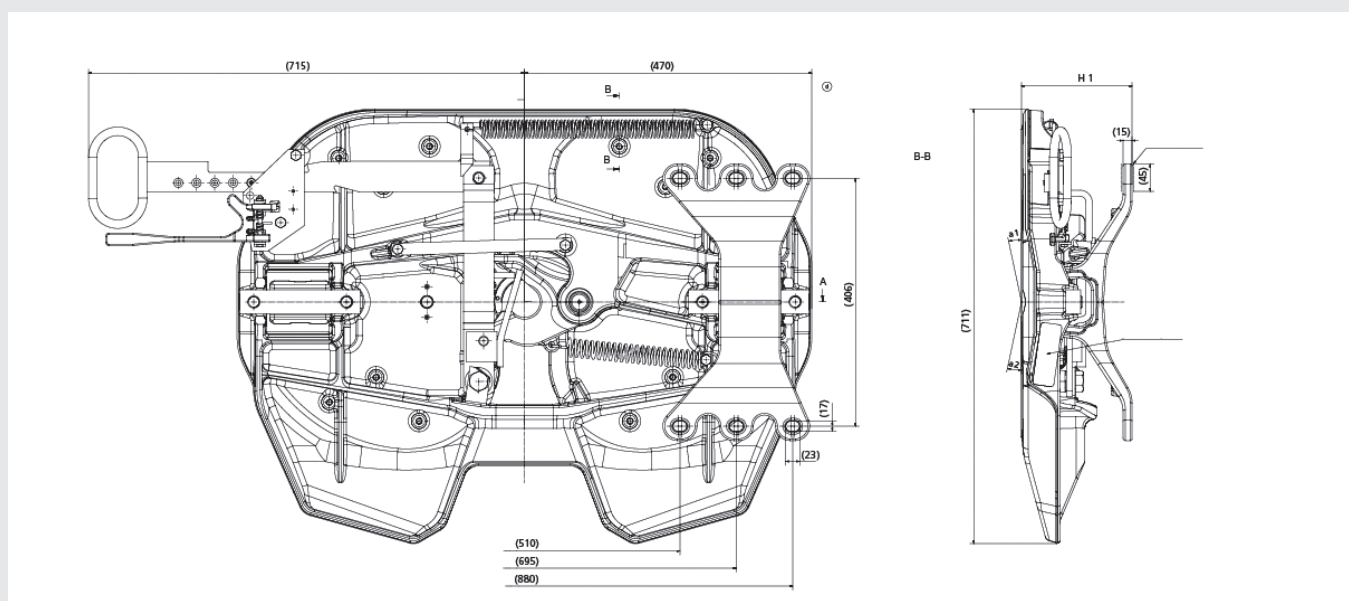
## TECHNICAL DATA

Type	Overall height [mm]	Imposed load [t]	D-value [kN]	Weight [kg]	Angle of inclination degree (w1/w2)	Order no.
SK-S 36.20 NoLube	128*	20	152	117	8° / 8°	<b>662131916</b>
SK-S 36.20 NoLube - Export**	150	20	152	121	8° / 13°	<b>662131918</b>
SK-S 36.20 NoLube	150	20	152	118	8° / 13°	<b>662131921</b>
SK-S 36.20 NoLube - Export**	185	20	152	124	17° / 26°	<b>662131924</b>
SK-S 36.20 NoLube	185	20	152	121	17° / 26°	<b>662131926</b>
SK-S 36.20 NoLube	225	20	152	124	29° / 42°	<b>662131929</b>
SK-S 36.20 NoLube	250	20	152	134	29° / 42°	<b>662131931</b>

\* Tilt angle in accordance with ISO 1726 for height 128 mm is only guaranteed with our mounting plate MP 486

\*\* Reinforced mounting brackets for applications outside the European Union

## DIMENSIONS



## SK-S 36.20 D NOLUBE



- Permanent, maintenance-free bearings
- ECE Type Approval no: E1 55R-01 0218

## TECHNICAL DATA

Type	Overall height [mm]	Imposed load [t]	D-value [kN]	Weight [kg]	Angle of inclination degree (w1/w2)	Order no.
<b>Mercedes-Benz (Mounting width 860 mm)</b>						
SK-S 36.20 D NoLube	148	20	152	126	9.5° / 13°	<b>66213193501</b>
SK-S 36.20 D NoLube	190	20	152	135	19° / 25°	<b>66213193601</b>
SK-S 36.20 D NoLube	225	20	152	143	24° / 30°	<b>66213193701</b>

\*Additional vendor specific mounting plate (12 mm / 39 kg)

<b>MAN</b>						
SK-S 36.20 D NoLube	148	20	152	126	9.5° / 13°	<b>66213193502</b>
SK-S 36.20 D NoLube	190	20	152	135	19° / 25°	<b>66213193602</b>
SK-S 36.20 D NoLube	225	20	152	143	24° / 30°	<b>66213193702</b>

\*Additional vendor specific mounting plate (8 mm / 18 kg)

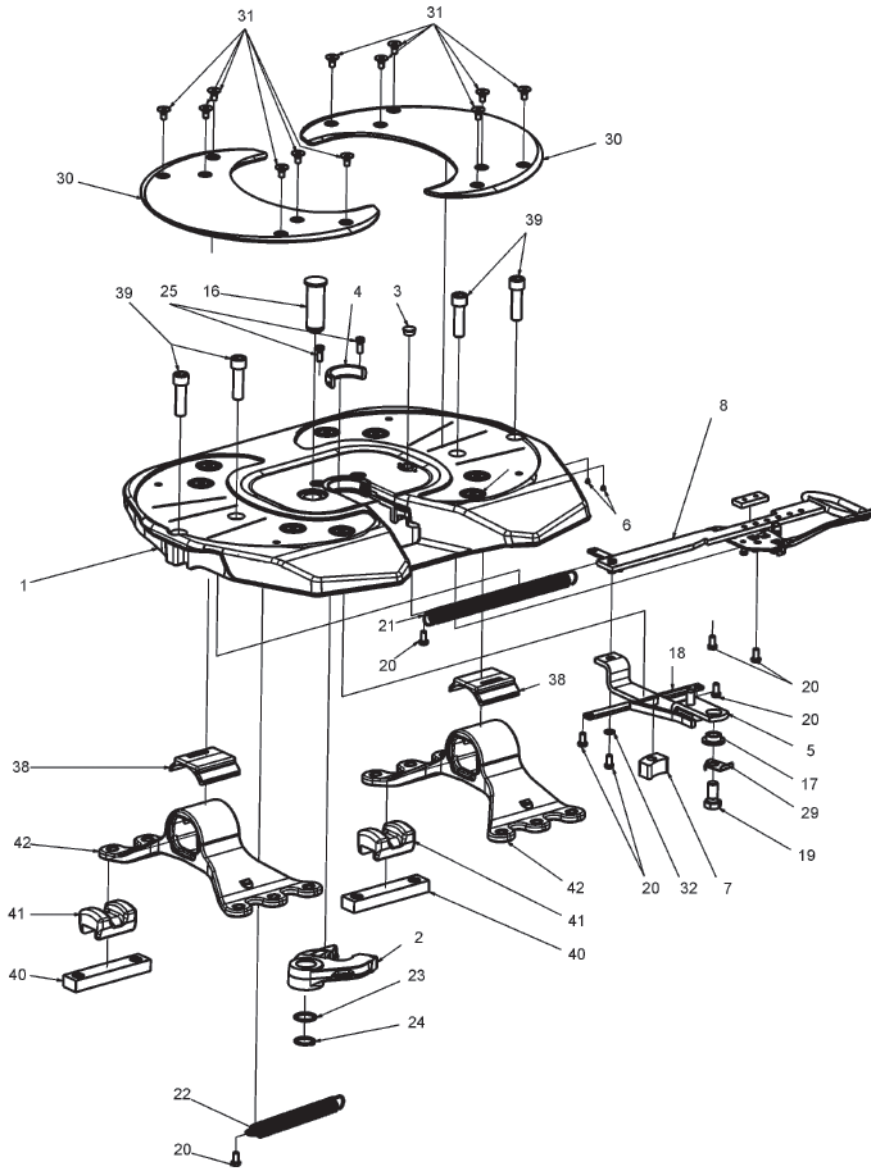
<b>Iveco</b>						
SK-S 36.20 D NoLube	148	20	152	126	9.5° / 13°	<b>66213193503</b>
SK-S 36.20 D NoLube	190	20	152	135	19° / 25°	<b>66213193603</b>
SK-S 36.20 D NoLube	225	20	152	143	24° / 30°	<b>66213193703</b>

\*Additional vendor specific mounting plate (8 mm / 40 kg)

<b>DAF</b>						
SK-S 36.20 D NoLube	190	20	152	135	19° / 25°	<b>66213193604</b>
SK-S 36.20 D NoLube	225	20	152	143	24° / 30°	<b>66213193704</b>

\*For the DAF model 225 mm overall height: cross bar 662131139 is required

- Use overall heights 190 mm and 225 mm only with cross bars, if the overall heights is changed
- Cross bar required; consisting of
  - tie rod, complete: 662131142
  - cross bar: 662131143

**SPARE PARTS SK-S 36.20 NoLube**


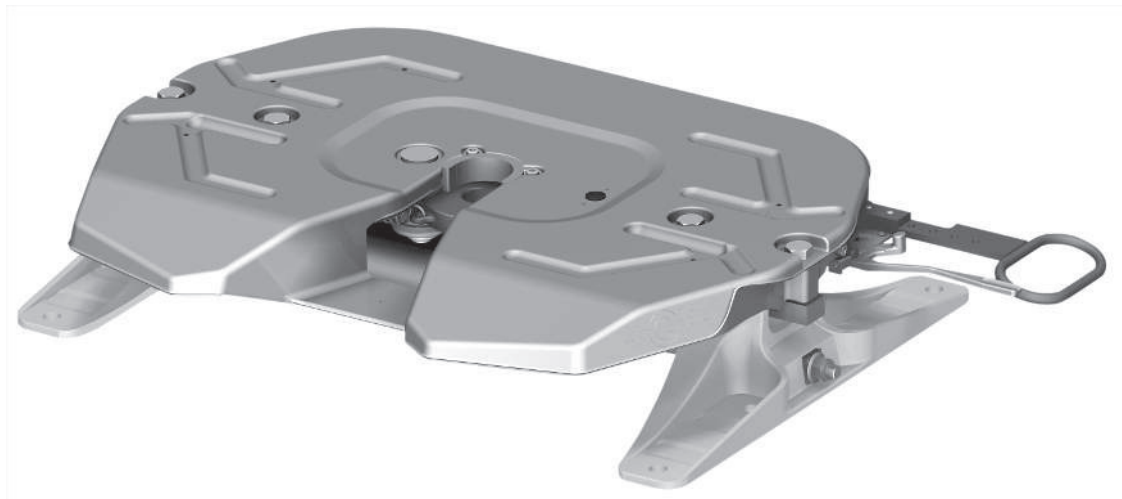
Item	Component	Dimensions	Serial no.	Pcs.	Order no.
	Repair kit for wear plate (30, 31)				662101469
	Repair kit bearing (38, 39, 41)				662101518
	Repair kit locking mechanism (2, 4, 7, 16, 19, 23, 24, 25, 29)				662101533
	Repair kit wear ring (4, 25)				662101534
	Repair kit Operating handle (8, 20, 21, 32)				662101746
	Repair kit locking hock (5, 17, 18, 19, 20, 29)				662101747
	Repair kit locking (A) (13, 20)				662101748
	Repair kit locking (K)				662101749
	Repair kit Return spring (21, 22)				662101751
	Coupling plate without mounting bracket				662131910
	Coupling plate without mounting bracket				662131911

Item	Component	Dimensions	Serial no.	Pcs.	Order no.
1	Coupling plate			1	
2	Coupler jaw cpl.			1	
3	Plug			1	659140916
4	Wear ring			1	
5	Locking hook			1	
6	Protecting cap (6mm)			2	662126255
7	Stopper			1	
8	Operating handle			1	
13	Automatic latch			1	
16	Pin			1	
17	Bush			1	
18	Guide			1	
19	Screw	M20x40		1	
20	Screw	M10x20		7	
21	Return spring			1	
22	Return spring			1	
23	Supporting washer			1	
24	Circlip			1	
25	Cylinder screw	M10x25		2	
29	Locking plate			1	
30	Slider			2	
31	Flange screw			12	
32	U-washer	Ø10		1	
38	Bearing insert			2	
39	Cylinder screw	M20x70		4	
40	Tensioning bar			2	
41	Rubber damping			2	
42	Mounting bracket	128mm		2	662129383
42	Mounting bracket	150mm		2	662129584
42	Mounting bracket	150mm - EXPORT		2	662129384
42	Mounting bracket	185mm		2	662129485
42	Mounting bracket	185mm - EXPORT		2	662129385
42	Mounting bracket	225mm		2	662129389
42	Mounting bracket	250mm		2	662129386
42	Mounting bracket with pattern of drilling	148mm	Mercedes Benz	2	662131120
42	Mounting bracket with pattern of drilling*	190mm	Mercedes Benz	2	662131125
42	Mounting bracket with pattern of drilling*	225mm	Mercedes Benz	2	662131130
42	Mounting bracket with pattern of drilling	148mm	MAN	2	662131121
42	Mounting bracket with pattern of drilling*	190mm	MAN	2	662131126
42	Mounting bracket with pattern of drilling*	225mm	MAN	2	662131131
42	Mounting bracket with pattern of drilling	148mm	IVECO	2	662131122
42	Mounting bracket with pattern of drilling*	190mm	IVECO	2	662131127
42	Mounting bracket with pattern of drilling*	225mm	IVECO	2	662131132
42	Mounting bracket with pattern of drilling	148mm	DAF	2	662131123
42	Mounting bracket with pattern of drilling*	190mm	DAF	2	662131128
42	Mounting bracket with pattern of drilling**	225mm	DAF	2	662131133

\* Cross bar required; consisting of:  
tie rod, complete 662131142 and  
cross bar D 51 mm 6621311433

\*\* Cross bar required: 662131139

## SK-S 36.20 D (DIRECT MOUNTING)



- Easy to mount directly on the vehicle chassis
- ECE Type Approval no: E1 55R-01 0218

## TECHNICAL DATA

Type	Overall height [mm]	Imposed load [t]	D-value [kN]	Weight [kg]	Angle of inclination degree (w1/w2)	Order no.
<b>Mercedes-Benz (Mounting width 860 mm)</b>						
SK-S 36.20 D	148*	20	152	126*	9.5° / 13°	66212920001
SK-S 36.20 D	190	20	152	135	19° / 15°	66212920101
SK-S 36.20 D	225	20	152	143	24° / 30°	66212920201

\*Additional vendor specific mounting plate (12 mm / 39 kg)

<b>MAN</b>						
SK-S 36.20 D	148*	20	152	126*	9.5° / 13°	66212920002
SK-S 36.20 D	190	20	152	135	19° / 15°	66212920102
SK-S 36.20 D	225	20	152	143	24° / 30°	66212920202

\*Additional vendor specific mounting plate (8 mm / 18 kg)

<b>Iveco</b>						
SK-S 36.20 D	148*	20	152	126*	9.5° / 13°	66212920003
SK-S 36.20 D	190	20	152	135	19° / 15°	66212920103
SK-S 36.20 D	225	20	152	143	24° / 30°	66212920203

\*Additional vendor specific mounting plate (8 mm / 40 kg)

<b>DAF</b>						
SK-S 36.20 D	190	20	152	135	19° / 15°	66212920104
SK-S 36.20 D	225	20	152	143	24° / 30°	66212920204

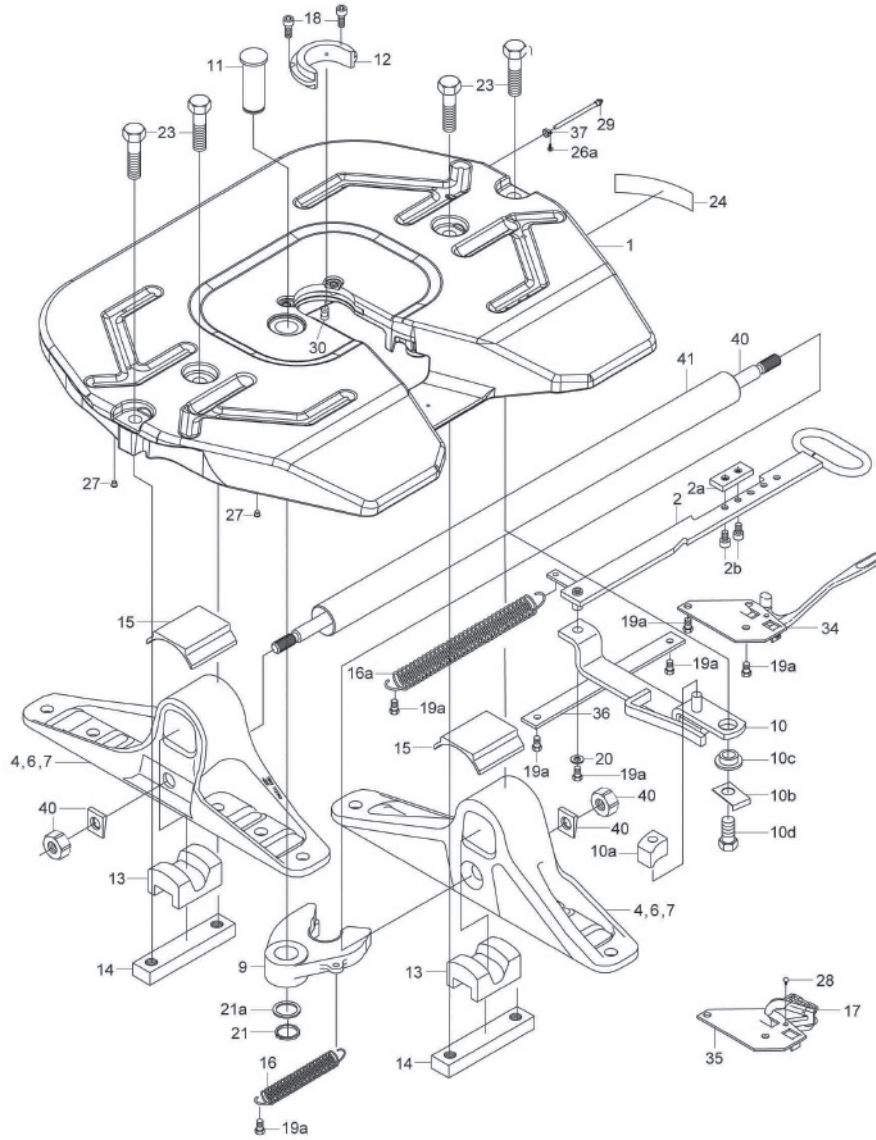
\*For the DAF model 225 mm overall height: cross bar 662131139 is required

- Use overall heights 190 mm and 225 mm only with cross bars, if the overall heights is changed
- Cross bar required; consisting of
  - tie rod, complete: 662131142
  - cross bar: 662131143



## SPARE PARTS SK-S 36.20 D

Repair kits also apply to SK-S 36.20



Item	Component	Dimensions	Serial no.	Pcs.	Order no.
	Repair kit bearing (13, 15, 23)			1	662101473
	Repair kit locking mechanism (9, 10a, 10b, 10d, 11, 12, 18, 21, 21a)		13000 - ...	1	662101492
	Repair kit locking mechanism and bearings (9, 10a, 10b, 10d, 11, 12, 13, 15, 18, 21, 21a, 23)		13000 - ...	1	662101493
	Repair kit wear ring (12, 18)		13000 - ...	1	662101566
	Repair kit Operating handle			1	662101746
	Repair kit locking hock (10, 10b, 10c, 10d, 19a, 36)			1	662101747
	Repair kit locking (A) (19a, 34)			1	662101748
	Repair kit locking (K) (17, 19a, 28, 35)			1	662101749
	Repair kit Lubrication tube (26a, 27, 29, 30, 37, 40, 46, 47)			1	662101750
	Repair kit Return spring (16, 16a)			1	662101751
	Coupling plate without mounting bracket			1	662129003

Item	Component	Dimensions	Serial no.	Pcs.	Order no.
1	Coupling plate			1	
2*	Operating handle		13000 - ...	1	
2a	Adjustment plate		13000 - ...	1	
2b	Cylinder screw	M8x16	13000 - ...	2	
4	Mounting bracket with pattern of drilling	148mm	Mercedes Benz	2	662131120
4	Mounting bracket with pattern of drilling	148mm	MAN	2	662131121
4	Mounting bracket with pattern of drilling	148mm	IVECO	2	662131122
4	Mounting bracket with pattern of drilling	148mm	DAF	2	662131123
6	Mounting bracket with pattern of drilling	190mm	Mercedes Benz	2	662131125
6	Mounting bracket with pattern of drilling	190mm	MAN	2	662131126
6	Mounting bracket with pattern of drilling	190mm	IVECO	2	662131127
6	Mounting bracket with pattern of drilling	190mm	DAF	2	662131128
7	Mounting bracket with pattern of drilling	225mm	Mercedes Benz	2	662131130
7	Mounting bracket with pattern of drilling	225mm	MAN	2	662131131
7	Mounting bracket with pattern of drilling	225mm	IVECO	2	662131132
7	Mounting bracket with pattern of drilling	225mm	DAF	2	662131133
9	Coupler jaw cpl.			1	
10	Locking hook			1	
10a	Stopper			1	
10b	Locking plate			1	
10c	Bush			1	
10d	Screw	M20x40		1	
11	Pin			1	
12	Wear ring		13000 - ...	1	
13	Rubber damping			2	
14	Tensionning bar			2	
15	Bearing insert			2	
16	Return spring			1	
16a	Return spring			1	
17	Clipper with linkage			1	
18	Cylinder screw	M10x25	0 - 12999	2	
19a	Screw	M10x20	13000 - ...	7	
20	U-washer	Ø10		1	
21	Circlip			1	
21a	Supporting washer			1	
23	Screw	M20x80		4	
24	Identification plate			1	
26	Groove pin	3x8		2	
26a	Groove pin	4x10		1	
27	Protecting cap			4	
28	Rivet			1	
29	Lubrication tube complete	L=410	0 - 35177	1	
30	Plug		13000 - ...	1	
34	Automatic latch			1	
35	Safety flange			1	
36	Guide			1	
37	Mounting			1	
40	Con rod			1	
41	Strut	Ø51		1	662131143
41	Strut	Ø60,3 (DAF - 225mm)		1	662131139
	Central lubrication kit*				659144148

\* Not usable with Volvo vehicles.

## SK-S 36.20 DW (DIRECT MOUNTING, LOW-MAINTENANCE)



- ECE Type Approval no: E1 55R-01 0218

For automatic lubrication of the locking mechanism we recommend the use of our grease dispenser with adaptor (Page 160)

## TECHNICAL DATA

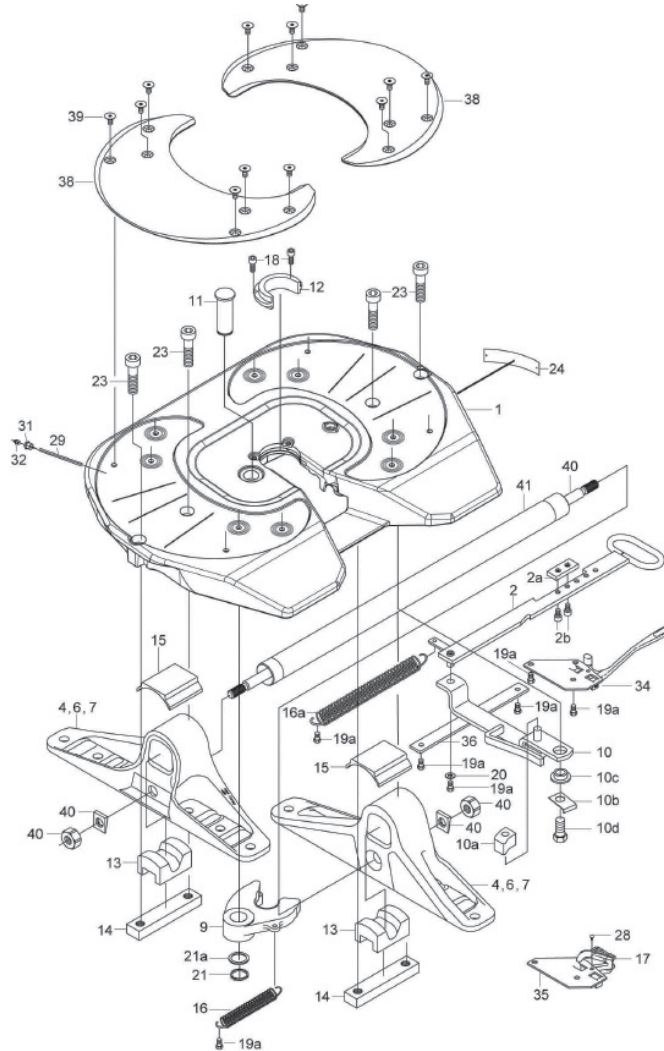
Type	Overall height [mm]	Imposed load [t]	D-value [kN]	Weight [kg]	Angle of inclination degree (w1/w2)	Order no.
<b>Mercedes-Benz (Mounting width 860 mm)</b>						
SK-S 36.20 DW	148*	20	152	126*	9.5° / 13°	66213101601
SK-S 36.20 DW	190	20	152	135	19° / 15°	66213101701
SK-S 36.20 DW	225	20	152	143	24° / 30°	66213101801
*Additional vendor specific mounting plate (12 mm / 39 kg)						
<b>MAN</b>						
SK-S 36.20 DW	148*	20	152	126*	9.5° / 13°	66213101602
SK-S 36.20 DW	190	20	152	135	19° / 15°	66213101702
SK-S 36.20 DW	225	20	152	143	24° / 30°	66213101802
*Additional vendor specific mounting plate (8 mm / 18 kg)						
<b>Iveco</b>						
SK-S 36.20 DW	148*	20	152	126*	9.5° / 13°	66213101603
SK-S 36.20 DW	190	20	152	135	19° / 15°	66213101703
SK-S 36.20 DW	225	20	152	143	24° / 30°	66213101803
*Additional vendor specific mounting plate (8 mm / 40 kg)						
<b>DAF</b>						
SK-S 36.20 DW	190	20	152	135	19° / 15°	66213101704
SK-S 36.20 DW	225*	20	152	143	24° / 30°	66213101804

\*For the DAF model 225 mm overall height: cross bar 662131139 is required

- Use overall heights 190 mm and 225 mm only with cross bars, if the overall heights is changed
- Cross bar required; consisting of
  - tie rod, complete: 662131142
  - cross bar: 662131143

## SPARE PARTS SK-S 36.20 DW

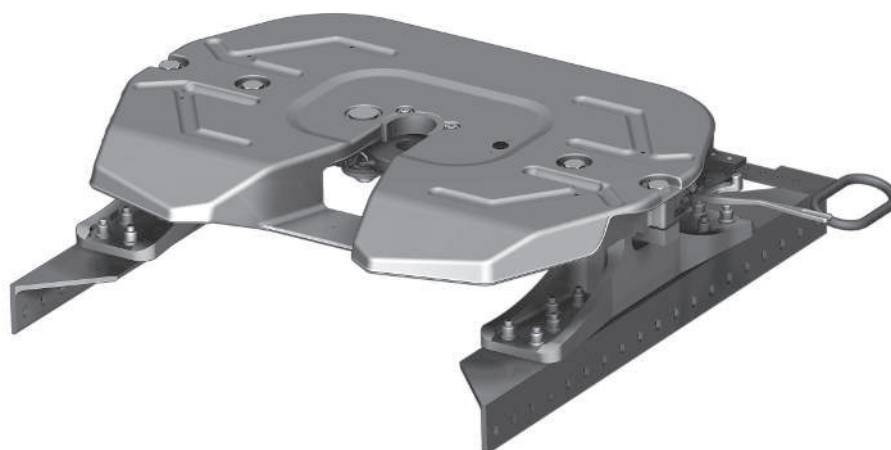
Repair kits also apply to SK-S 36.20 W



Item	Component	Dimensions	Serial no.	Pcs.	Order no.
	Repair kit for wear plate (38, 39)				662101469
	Repair kit locking mechanism and bearings (9, 10a, 10b, 10d, 11, 12, 13, 15, 18, 21, 21a, 23)				662101516
	Repair kit locking mechanism (9, 10a, 10b, 10d, 11, 12, 18, 21, 21a)				662101517
	Repair kit bearing				662101518
	Repair kit wear ring				662101534
	Mounting kit for fifth wheel plate (W) without mounting bracket (13, 14, 15, 23, 38, 39)				662101738
	Repair kit Operating handle			1	662101746
	Repair kit locking hock (10, 10b, 10c, 10d, 19a, 36)			1	662101747
	Repair kit locking (A) (19a, 34)			1	662101748
	Repair kit locking (K) (17, 19a, 28, 35)			1	662101749
	Repair kit Return spring (16, 16a)			1	662101751
	Coupling plate (W) without mounting bracket ( assembly kit necessary)				662131002

Item	Component	Dimensions	Serial no.	Pcs.	Order no.
1	Coupling plate (W) without mounting bracket ( assembly kit necessary)			1	
2*	Operating handle		13000 - ...	1	
2a	Adjustment plate		13000 - ...	1	
2b	Cylinder screw	M8x16	13000 - ...	2	
4	Mounting bracket with pattern of drilling	148mm	Mercedes Benz	2	<b>662131120</b>
4	Mounting bracket with pattern of drilling	148mm	MAN	2	<b>662131121</b>
4	Mounting bracket with pattern of drilling	148mm	IVECO	2	<b>662131122</b>
4	Mounting bracket with pattern of drilling	148mm	DAF	2	<b>662131123</b>
6	Mounting bracket with pattern of drilling	190mm	Mercedes Benz	2	<b>662131125</b>
6	Mounting bracket with pattern of drilling	190mm	MAN	2	<b>662131126</b>
6	Mounting bracket with pattern of drilling	190mm	IVECO	2	<b>662131127</b>
6	Mounting bracket with pattern of drilling	190mm	DAF	2	<b>662131128</b>
7	Mounting bracket with pattern of drilling	225mm	Mercedes Benz	2	<b>662131130</b>
7	Mounting bracket with pattern of drilling	225mm	MAN	2	<b>662131131</b>
7	Mounting bracket with pattern of drilling	225mm	IVECO	2	<b>662131132</b>
7	Mounting bracket with pattern of drilling	225mm	DAF	2	<b>662131133</b>
9	Coupler jaw cpl.			1	
10	Locking hook			1	
10a	Stopper			1	
10b	Locking plate			1	
10c	Bush			1	
10d	Screw	M20x40		1	
11	Pin			1	
12	Wear ring			1	
13	Rubber damping			2	
14	Tensionning bar			2	
15	Bearing insert			2	
16	Return spring			1	
16a	Return spring			1	
17	Clipper with linkage			1	
18	Cylinder screw	M10x25	0 - 12999	2	
19a	Screw	M10x20		7	
20	U-washer	Ø10		1	
21	Circlip			1	
21a	Supporting washer			1	
23	Cylinder screw	M20x70		4	
24	Identification plate			1	
26	Groove pin	3x8		2	
28	Rivet			1	
29	Lubrication tube complete	L=495	35178 - ...	1	
32	Grease nipple	M8x1	0 - 12999	1	
34	Automatic latch			1	
35	Latch cpl.		12000 - ...	1	
36	Guide			1	
38	Slider			1	
39	Flange screw			12	
40	Con rod			1	
41	Strut	Ø60,3 (DAF - 225mm)		1	<b>662131139</b>
41	Strut	Ø51		1	<b>662131143</b>

## SK-S 36.20 V (VOLVO MOUNTING ANGLES)



Advantage: no additional mounting plate is required for mounting with mounting angles on Volvo vehicles.

- Angle of inclination in accordance with ISO 1726
- Approved for forced steering
- ECE Type Approval no: E1 55R-01 0218



## TECHNICAL DATA

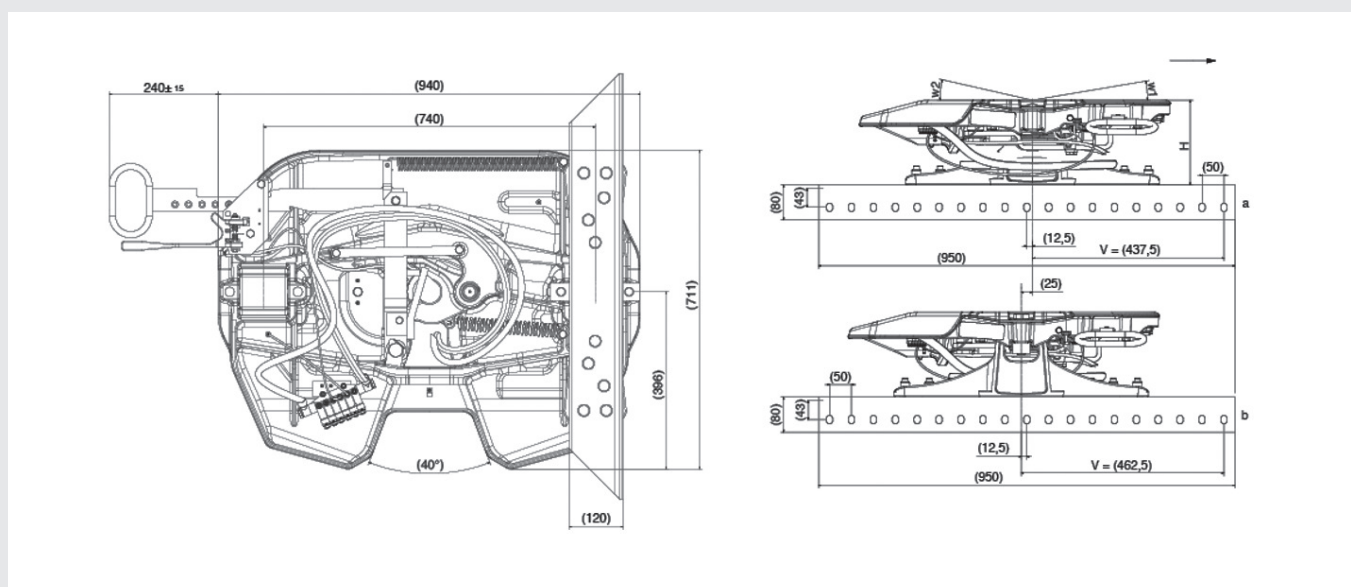
Type	Overall height [mm]	Imposed load [t]	D-value [kN]	Weight [kg]	Angle of inclination degree (w1/w2)	Length [mm]	Order no.
SK-S 36.20 V	140	20	152,3	144	6.5° / 7.2°	V=437,5	662129206
SK-S 36.20 V	140	20	152,3	144	6.5° / 7.2°	V=462,5	662129210
SK-S 36.20 V	160	20	152,3	146	13° / 15°	V=437,5	662129207
SK-S 36.20 V	160	20	152,3	146	13° / 15°	V=462,5	662129211
SK-S 36.20 V	200	20	152,3	150	20° / 23°	V=437,5	662129208
SK-S 36.20 V	200	20	152,3	150	20° / 23°	V=462,5	662129212
SK-S 36.20 V	230	20	152,3	153	24° / 30°	V=437,5	662129209
SK-S 36.20 V	230	20	152,3	153	24° / 30°	V=462,5	662129214

- Central lubrication set 659 144 143 can be ordered for models 662 129 206 – 662 129 214

## MODEL WITH CENTRAL LUBRICATION KIT

Type	Overall height [mm]	Imposed load [t]	D-value [kN]	Weight [kg]	Angle of inclination degree (w1/w2)	Length [mm]	Order no.
SK-S 36.20 V	140	20	152,3	145	6.5° / 7.2°	V=462,5	662129215
SK-S 36.20 V	140	20	152,3	145	6.5° / 7.2°	V=437,5	662129219
SK-S 36.20 V	160	20	152,3	147	13° / 15°	V=462,5	662129216
SK-S 36.20 V	160	220	152,3	147	13° / 15°	V=437,5	662129220
SK-S 36.20 V	200	20	152,3	151	20° / 23°	V=462,5	662129217
SK-S 36.20 V	200	20	152,3	151	20° / 23°	V=437,5	662129221
SK-S 36.20 V	230	20	152,3	154	24° / 30°	V=462,5	662129218
SK-S 36.20 V	230	20	152,3	154	24° / 30°	V=437,5	662129222

## DIMENSIONS



Subject to modifications in dimensions and design

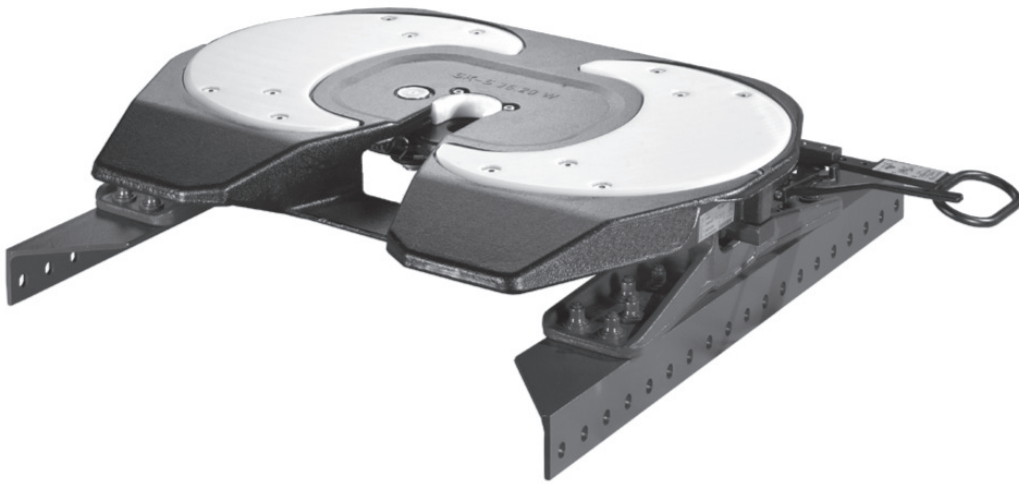


Item	Component	Dimensions	Serial no.	Pcs.	Order no.
1	Coupling plate			1	
2*	Operating handle		13000 - ...	1	
2a	Adjustment plate		13000 - ...	1	
2b	Cylinder screw	M8x16	13000 - ...	2	
3a	Mounting angle	140mm*		1	662129362
3b	Mounting angle*	140mm		1	662129363
4a	Mounting angle*	160mm		1	662129364
4b	Mounting angle*	160mm		1	662129365
6a	Mounting angle*	200mm		1	662129366
6b	Mounting angle*	200mm		1	662129367
7a	Mounting angle*	230mm		1	662129368
7b	Mounting angle*	230mm		1	662129369
9	Coupler jaw cpl.			1	
10	Locking hook			1	
10a	Stopper			1	
10b	Locking plate			1	
10c	Bush			1	
10d	Screw	M20x40		1	
11	Pin			1	
12	Wear ring		13000 - ...	1	
13	Rubber damping			2	
14	Tensionning bar			2	
15	Bearing insert			2	
16	Return spring			1	
16a	Return spring			1	
17	Clipper with linkage			1	
18	Cylinder screw	M10x25	0 - 12999	2	
19a	Screw	M10x20	13000 - ...	7	
20	U-washer	Ø10		1	
21	Circlip			1	
21a	Supporting washer			1	
23	Screw	M20x80		4	
24	Identification plate			1	
26	Groove pin	3x8		2	
26a	Groove pin	4x10		1	
27	Protecting cap			4	
28	Rivet			1	
29	Lubrication tube complete	L=410	0 - 35177	1	
30	Plug		13000 - ...	1	
35	Latch cpl.		0 - 11999		
35	Latch cpl.		12000 - ...		
36	Guide			1	
37	Mounting			1	
	Central lubrication kit(not shown )			1	659144143

\* Mounting angles are required in pairs, consisting of a+b in the requested height. The indicated measure V is measured during mounting of the brackets on the right hand side in driving direction. A reversal of the mounting angles increases or decreases the coupling point by 25 mm.

\*\* This repair kit is only suitable for sensor fifth wheels fitted with the Volvo/ Renault sensor system. The control unit and display in the cab are not SAF-HOLLAND products.

## SK-S 36.20 VW (VOLVO MOUNTING ANGLES, LOW MAINTENANCE)



Advantage: no additional mounting plate is required for mounting with mounting angles on Volvo vehicles.

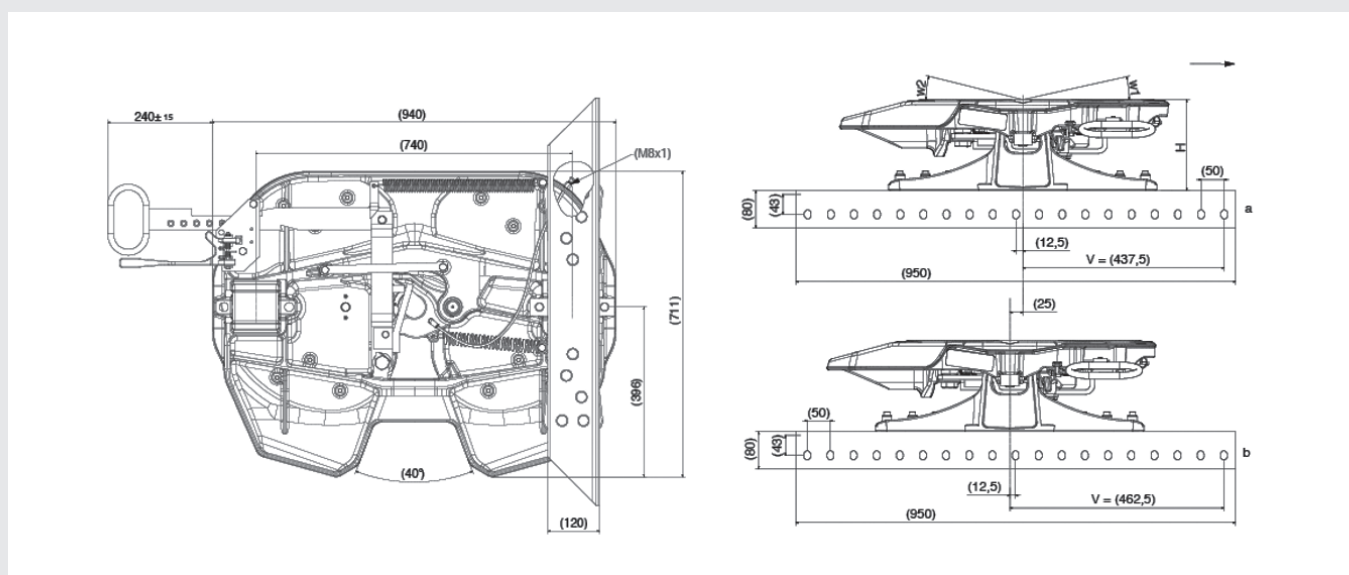
- Angle of inclination in accordance with ISO 1726
- Approved for forced steering
- ECE Type Approval no: E1 55R-01 0218

For automatic lubrication of the locking mechanism we recommend the use of our grease dispenser with adaptor (Page 160)

## TECHNICAL DATA

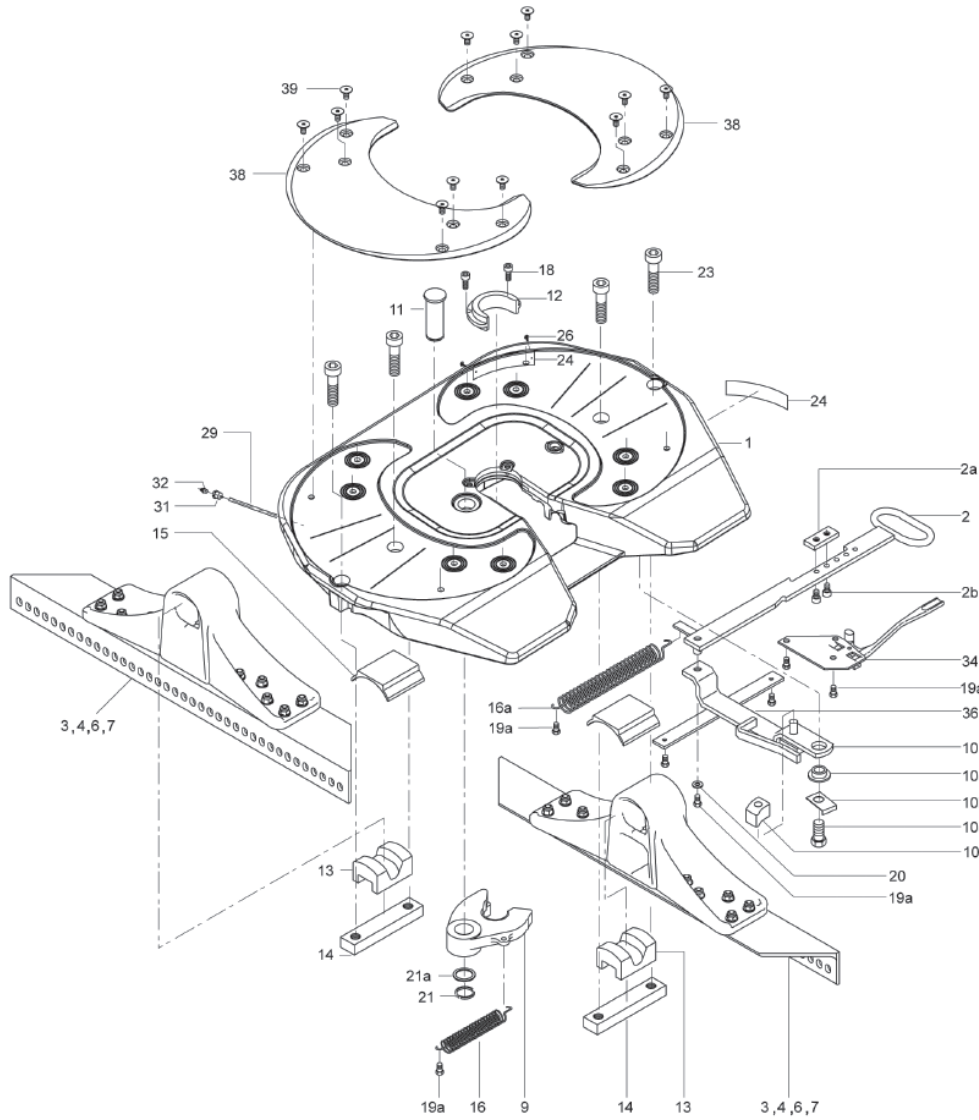
Type	Overall height [mm]	Imposed load [t]	D-value [kN]	Weight [kg]	Angle of inclination degree (w1/w2)	Length [mm]	Order no.
SK-S 36.20 VW	140	20	152,3	144	6.5° / 7.2°	V=462,5	<b>662131050</b>
SK-S 36.20 VW	140	20	152,3	144	6.5° / 7.2°	V=437,5	<b>662131060</b>
SK-S 36.20 VW	160	20	152,3	146	13° / 15°	V=462,5	<b>662131051</b>
SK-S 36.20 VW	160	20	152,3	146	13° / 15°	V=437,5	<b>662131061</b>
SK-S 36.20 VW	200	20	152,3	150	20° / 23°	V=462,5	<b>662131052</b>
SK-S 36.20 VW	200	20	152,3	150	20° / 23°	V=437,5	<b>662131062</b>
SK-S 36.20 VW	230	20	152,3	153	24° / 30°	V=462,5	<b>662131053</b>
SK-S 36.20 VW	230	20	152,3	153	24° / 30°	V=437,5	<b>662131063</b>

## DIMENSIONS



## SPARE PARTS SK-S 36.20 VW

Repair kits also apply to SK-S 36.20 W



Item	Component	Dimensions	Serial no.	Pcs.	Order no.
	Repair kit for wear plate (38, 39)				662101469
	Repair kit locking mechanism and bearings (9, 10a, 10b, 10d, 11, 12, 13, 15, 18, 21, 21a, 23)				662101516
	Repair kit locking mechanism (9, 10a, 10b, 10d, 11, 12, 18, 21, 21a)				662101517
	Repair kit bearing				662101518
	Repair kit wear ring				662101534
	Mounting kit for fifth wheel plate (W) without mounting bracket (13, 14, 15, 23, 38, 39)				662101738
	Repair kit Operating handle			1	662101746
	Repair kit locking hock (10, 10b, 10c, 10d, 19a, 36)			1	662101747
	Repair kit locking (A) (19a, 34)			1	662101748
	Repair kit locking (K) (17, 19a, 28, 35)			1	662101749

Item	Component	Dimensions	Serial no.	Pcs.	Order no.
	Repair kit Return spring (16, 16a)			1	662101751
	Repair kit sensor**				662129493
	Coupling plate (W) without mounting bracket ( assembly kit necessary)				662131002
1	Coupling plate (W) without mounting bracket ( assembly kit necessary)			1	
2*	Operating handle		13000 - ...	1	
2a	Adjustment plate		13000 - ...	1	
2b	Cylinder screw	M8x16	13000 - ...	2	
3a	Mounting angle*	140mm		1	662129362
3b	Mounting angle*	140mm		1	662129363
4a	Mounting angle*	160mm		1	662129364
4b	Mounting angle*	160mm		1	662129365
6a	Mounting angle*	200mm		1	662129366
6b	Mounting angle*	200mm		1	662129367
7a	Mounting angle*	230mm		1	662129368
7b	Mounting angle*	230mm		1	662129369
9	Coupler jaw cpl.			1	
10	Locking hook			1	
10a	Stopper			1	
10b	Locking plate			1	
10c	Bush			1	
10d	Screw	M20x40		1	
11	Pin			1	
12	Wear ring			1	
13	Rubber damping			2	
14	Tensionning bar			2	
15	Bearing insert			2	
16	Return spring			1	
16a	Return spring			1	
18	Cylinder screw	M10x25	0 - 12999	2	
19a	Screw	M10x20	13000 - ...	7	
20	U-washer	Ø10		1	
21	Circlip			1	
21a	Supporting washer			1	
23	Cylinder screw	M20x70		4	
24	Identification plate			1	
26	Groove pin	3x8		2	
29	Lubrication tube complete	L=410	0 - 35177	1	
29	Lubrication tube complete	L=495	35178 - ...	1	
31	Adaptor			1	
32	Grease nipple	M8x1	0 - 12999	1	
34	Automatic latch			1	
36	Guide			1	
38	Slider			1	
39	Flange screw			12	
	Lubrication tube complete (29, 31) (not shown )				659144146

\* Mounting angles are required in pairs, consisting of a+b in the requested height. The indicated measure V is measured during mounting of the brackets on the right hand side in driving direction. A reversal of the mounting angles increases or decreases the coupling point by 25 mm.



## FW3510



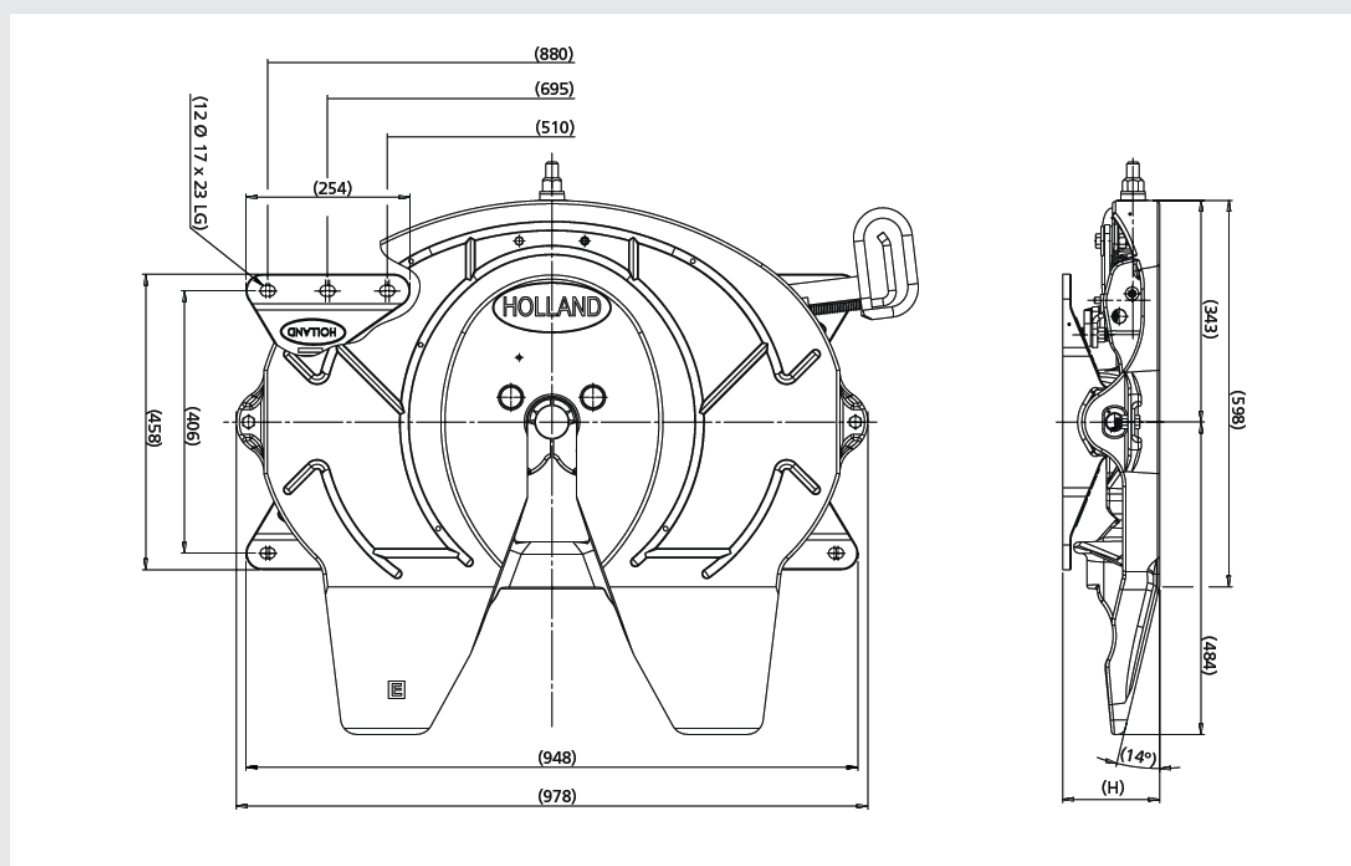
- Bracket mounting
- Available with optional ILS-Slider (Page 134)
- Approved for forced steering
- ECE Type Approval no: E11 55R-01 6172

## TECHNICAL DATA

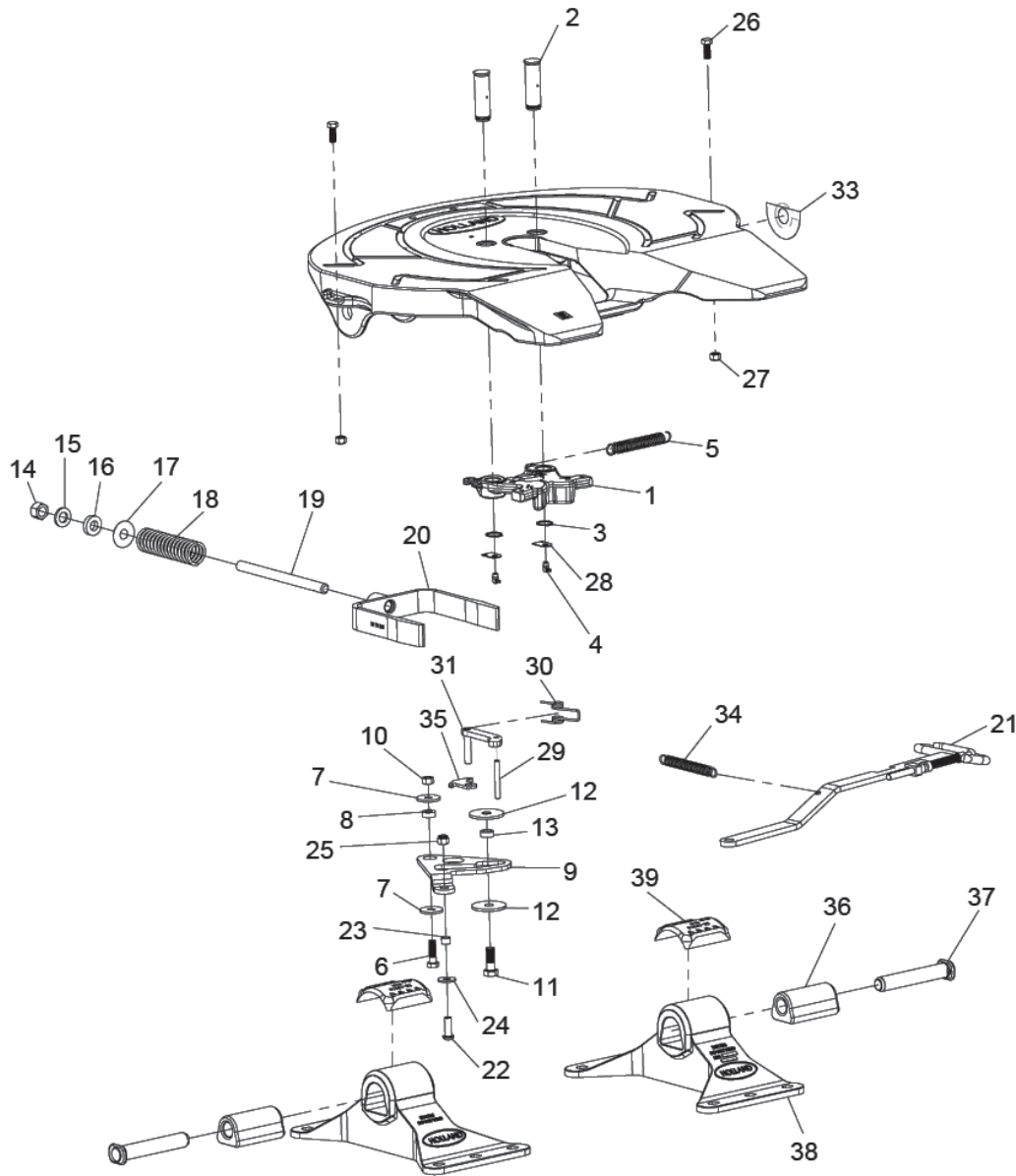
Type	Overall height [mm]	Imposed load [t]	D-value [kN]	Weight [kg]	Order no.
FW3510	150	23	175	135	<b>FW3510-150</b>
FW3510	180	23	175	139	<b>FW3510-180</b>
FW3510	200	23	175	142	<b>FW3510-200</b>

Add suffix -XL on order number for version with long handle

## DIMENSIONS



## SPARE PARTS FW 3510



Item	Component	Dimensions	Pcs.	Order no.
	Repair kit fifth wheel cpl.			<b>RK-3510-R</b>
	Repair kit locking mechanism (1, 2, 3, 4)			<b>RS-91089</b>
	Repair kit anchor pin / rubber (26, 27, 36, 37)			<b>RS-91086</b>
	Repair kit anchor pin / rubber (26, 27, 36, 37, 39)			<b>RS-91086-1</b>
	Repair kit anchor pin / bush kit (26, 27, 36A, 37, 39, 40A)			<b>RS-91131-1</b>
	Repair kit operating handle (21, 34, 35)			<b>RS-91093</b>
	Repair kit operating handle - long (21, 34, 35)			<b>RS-91098</b>
	Repair kit			<b>RS-91110</b>
	Coupling plate without mounting bracket			<b>FW3510-TP</b>

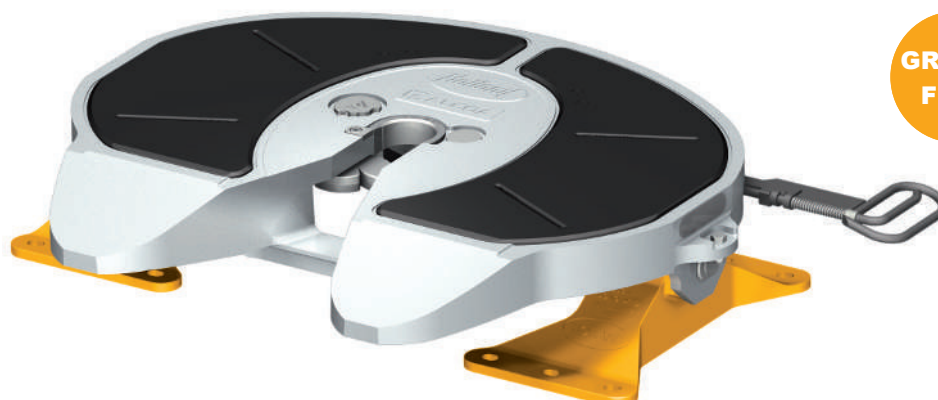
Item	Component	Dimensions	Pcs.	Order no.
1	Lock jaw kit		1	
2	Lock pin		2	
3	Circlip	27x1,2	2	
4	Grease nipple	M10x1	2	
5	Spring		2	<b>XB-07628</b>
6	Screw	M12x50	1	
7	Washer		2	
8	Bush		1	
9	Cam plate		1	<b>XA-07150-R-KTL</b>
10	Safety flange	M12	1	
11	Hex-screw		1	<b>XB-CX-58-F-134</b>
12	Washer (Knorr)		2	<b>XB-07431</b>
13	Cam roller		1	<b>XA-1507</b>
14	Safety flange		1	<b>XB-HNH-34-F</b>
15	Washer	M20	1	<b>33034</b>
16	Rubber washer		1	<b>XB-1127</b>
17	Instruction plate		1	<b>XB-02312-1</b>
18	Spring		1	<b>XB-1505</b>
19	Yoke shaft		2	<b>XA-1706</b>
20	Yoke		2	<b>XA-07295-KTL</b>
21	Standard handle		2	
	Operating handle		1	<b>XA-09752</b>
22	Hex socket head screw	M12x40	1	<b>31040</b>
23	Bush		1	<b>XA-03082</b>
24	Washer		1	
25	Safety flange	M12	2	
26	Screw	M12x30	2	
27	Safety flange	M12	2	
28	Holder for lubrication tube		1	<b>XA-E-60234</b>
29	Spiral pin		1	
30	Spring, Torsion		1	<b>XB-2149</b>
31	Lock bar		4	<b>XA-3542-R-KTL</b>
32	Grease nipple	M10x1	1	<b>38009</b>
33	Instruction plate		2	<b>XB-07610</b>
34	Return spring		1	
35	Sprinh holder		1	
36	Rubber bush		2	
36a	Rubber bush		1	
37	Bearing bolt		1	
38	Mounting bracket	150mm	2	<b>XD-04942-KTL</b>
38	Mounting bracket	180mm	2	<b>XD-04943-KTL</b>
38	Mounting bracket	200mm	2	<b>XD-04944-KTL</b>
38a	Mounting bracket	180mm - 06.2007-12.2011	2	
39	Pocket Insert		1	
40	Rubber washer		1	<b>XB-60144</b>
40a	Rubber washer	für 38A, for 38A	2	

Pocket inserts: Used on all fifth wheels from February 2002 on

Note: Grease fitting item 32 not required on units fitted with pocket inserts.



## FWAL-E



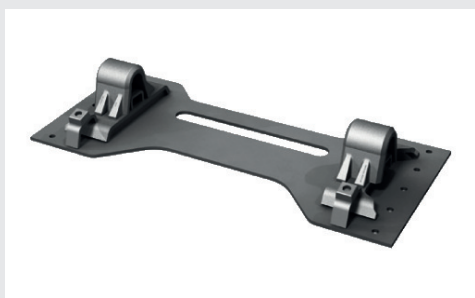
- Imposed load: 20 t
- D-value: 150 kN
- ECE Type Approval no: E11-55R-016168
- Lock size: 2 Inch

### COMBINED WITH DIN/ISO BRACKET MOUNTING



Mounting bracket for ISO mounting on mounting plates, type approved according to ECE-R55.

### COMBINED WITH WEIGHTSAVER MOUNTING



Combined mounting brackets and mounting plate resulting in weight reduction with easier and time-saving installation through direct mounting on the chassis.

Available in 2 different widths and available with hole patterns to suit all OEM chassis mounting angles.

Contact SAF-HOLLAND for full part number information.

## TECHNICAL DATA

### ISO-Montage

Type	Height [mm]		Weight [kg]	Order no.
FWAL-E	165		94	FWAL-E-IS-165
FWAL-E	195		100	FWAL-E-IS-195
FWAL-E	220		103	FWAL-E-IS-220

### Undrilled Weightsaver

Type	Height [mm]	Weightsaver width [mm]	Weight [kg]	Order no.
FWAL-E	180	965	120	FWAL-E-W1-180
FWAL-E	205	965	123	FWAL-E-W1-205
FWAL-E	245	965	127	FWAL-E-W1-245
FWAL-E	180	1050	124	FWAL-E-W2-180
FWAL-E	205	1050	127	FWAL-E-W2-205
FWAL-E	245	1050	131	FWAL-E-W2-245

### Predrilled Weightsaver

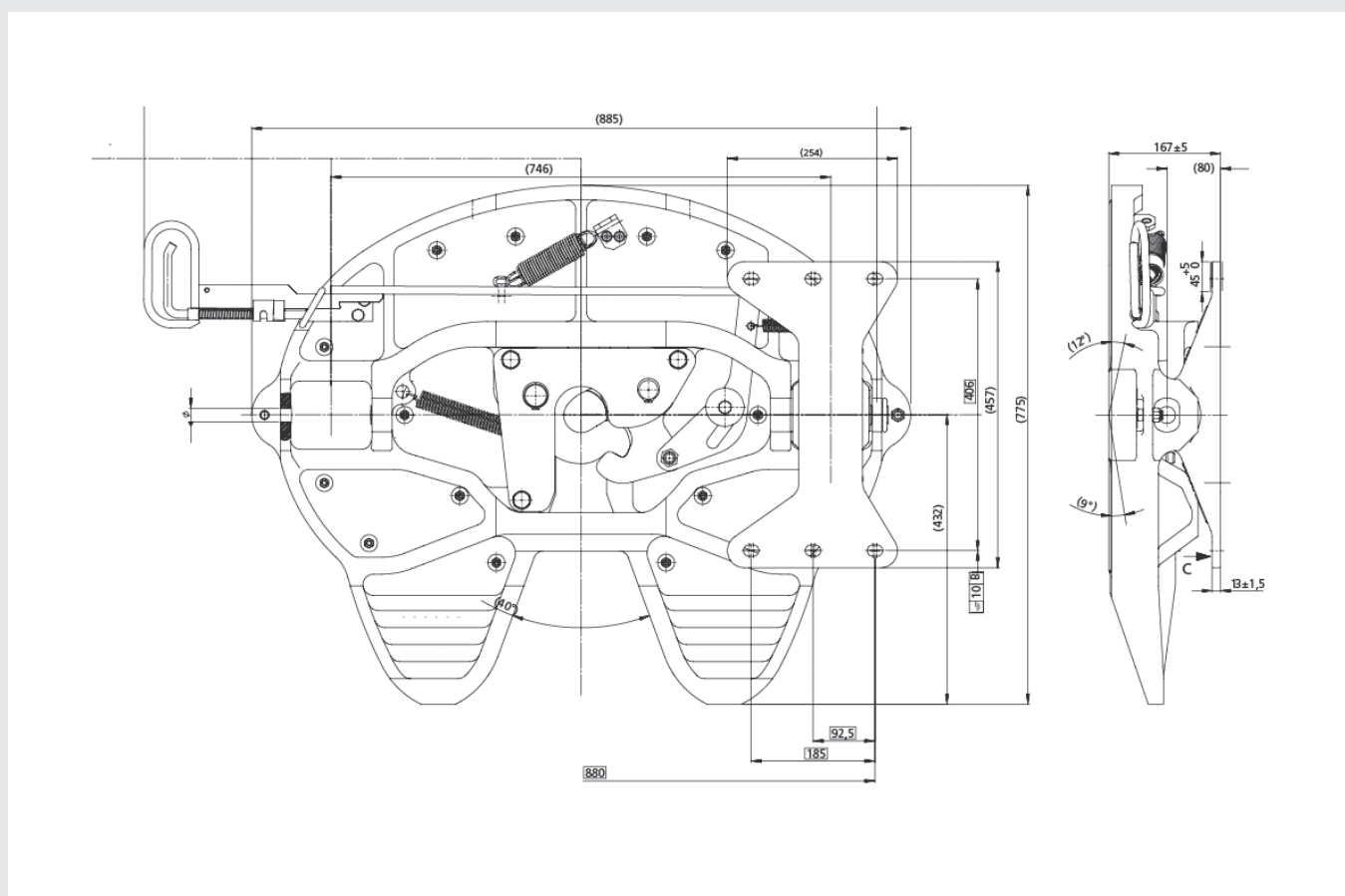
Type	Height [mm]	Weightsaver width [mm]	Weight [kg]	Order no.
<b>MAN</b>				
FWAL-E	180	965	120	FWAL-E-W1-180G
FWAL-E	205	965	123	FWAL-E-W1-205G
FWAL-E	245	965	127	FWAL-E-W1-245G
<b>Mercedes-Benz (Mounting width 860 mm)</b>				
FWAL-E	180	965	118	FWAL-E-W1-180J
FWAL-E	205	965	120	FWAL-E-W1-205J
FWAL-E	245	965	124	FWAL-E-W1-245J
<b>Scania</b>				
FWAL-E	180	965	120	FWAL-E-W1-180S
FWAL-E	205	965	123	FWAL-E-W1-205S
FWAL-E	245	965	127	FWAL-E-W1-245S
<b>Iveco</b>				
FWAL-E	180	965	118	FWAL-E-W1-180Z
FWAL-E	205	965	120	FWAL-E-W1-205Z
FWAL-E	245	965	124	FWAL-E-W1-245Z



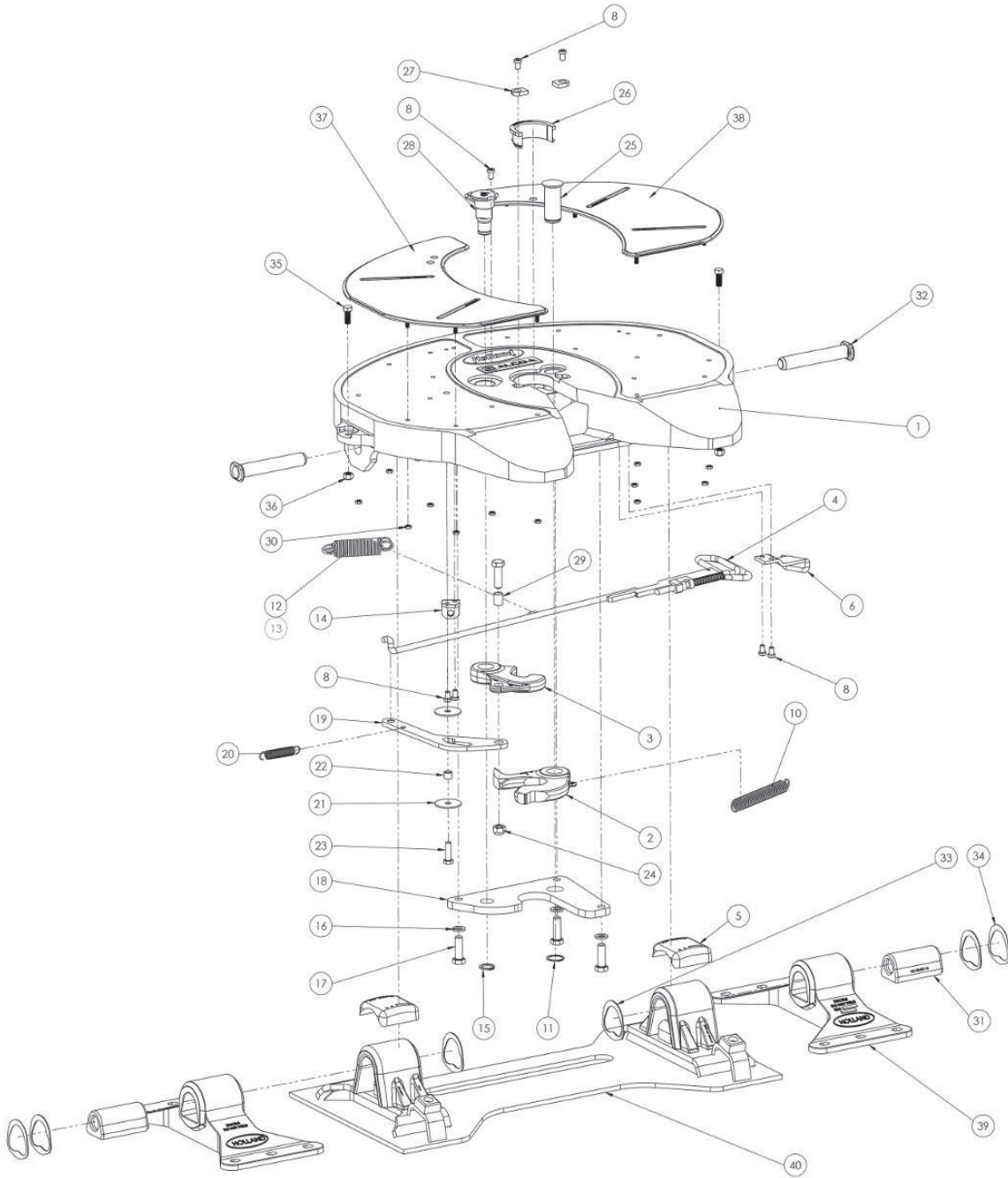
Type	Height [mm]	Weightsaver width [mm]	Weight [kg]	Order no.
<b>DAF</b>				
FWAL-E	180	965	120	FWAL-E-W1-180D
FWAL-E	205	965	123	FWAL-E-W1-205D
FWAL-E	245	965	127	FWAL-E-W1-245D
<b>Volvo</b>				
FWAL-E	180	1050	124	FWAL-E-W2-180P
FWAL-E	205	1050	127	FWAL-E-W2-205P
FWAL-E	245	1050	131	FWAL-E-W2-245P
<b>Renault</b>				
FWAL-E	180	1050	124	FWAL-E-W2-180R1
FWAL-E	205	1050	127	FWAL-E-W2-205R1
FWAL-E	245	1050	131	FWAL-E-W2-245R1

other hole patterns for weightsaver available on request

## DIMENSIONS

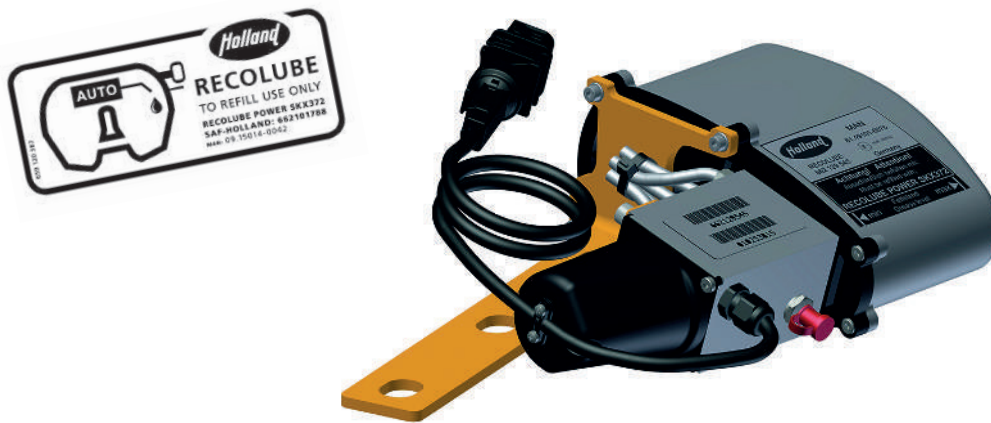


# SPARE PARTS FWAL-E



Item	Component	Dimensions	Pcs.	Order no.
	Repair kit fifth wheel cpl. (2, 3, 4, 9, 10, 11, 12, 13, 15, 17, 19, 20, 21, 22, 24, 25, 26, 27, 28, 29)			<b>RK-AL-A-E</b>
	Repair kit wear ring (9, 26, 27)			<b>RK-AL-10680</b>
	Repair kit locking mechanism (2, 3, 9, 10, 11, 15, 25, 26, 27, 28)			<b>RK-AL-10486</b>
	Repair kit for wear plate (30, 37, 38)			<b>RK-331-1</b>
	Replacement Operating Handle Kit (4, 12, 13)			<b>RK-AL-10681</b>
	Bracket pins / Rubber bush kit (5, 31, 32, 33, 35, 36)			<b>RK-AL-0011-3</b>
	Coupling plate without mounting bracket			<b>FWAL-E-TP</b>
1	Plate		1	
2	Coupler jaw		1	
3	Lock hook		1	
4	Operating handle		1	
5	Pocket Insert		2	
6	Guide-/lever		1	<b>XA-11082</b>
8	Fixing screw	M10x1,5x16	4	
10	Return spring		1	
11	Circlip		1	
12	Return spring - inside		1	
13	Return spring - outside		1	
14	Sprinh holder		1	<b>XA-11083</b>
15	Circlip		1	
16	Spring washer	M16	3	<b>XB-LW-M16-Z</b>
17	Screw	M16x50	3	
18	Brake cylinder support		1	<b>XA-11038</b>
19	Release cam		1	
20	Return spring		1	
21	Washer		2	
22	Bush		1	
23	Screw	M12x40	1	<b>31039</b>
24	Safety flange		1	
25	Lock pin		1	
26	Wear ring		1	
27	Holder plate		1	
28	Adjustment Pin		1	
29	Spacer		1	
30	Safety flange	M8	18	
31	Rubber bush		2	
32	Bearing bolt		2	
33	Clevis crossbar	1mm	2	
34	Clevis crossbar	2mm	4	<b>XB-60144-S3</b>
35	Screw	M12x30	2	
36	Safety flange	M12	2	
37	Wear plate left		1	
38	Wear plate right		1	
39	Mounting bracket	165mm	2	<b>XD-04942</b>
39	Mounting bracket	195mm	2	<b>XD-04943</b>
39	Mounting bracket	215mm	2	<b>XD-04944</b>
40	On Request			

## RECOLUBE



Vehicles built from April 1, 2017 and from on-board computer version ZBR E8, are equipped with the device required to control the pump.

### ALWAYS A RELIABLE COMBINATION – MAN AND SAF-HOLLAND

It is essential that you can rely 100 % on your fifth wheels. They are one of the most important components of a vehicle. SAF-HOLLAND develop and produce innovative, safe and high-quality components that meet the individual specifications of MAN's customers. High-precision manufacturing and strict controls ensure that the high quality standards of both partners are met.

In collaboration with MAN, SAF-HOLLAND responds **individually** to all sorts of specific and diverse customer requirements : Whether being used in light trucks, heavy all-terrain transport or for abnormal loads – the SAF HOLLAND fifth wheel is the **perfect solution for any transport task**. Its very low system weight and exceptionally long service life and exemplary **low maintenance costs** contribute significantly to the economic efficiency of the entire vehicle.

## ADVANTAGES OF THERECOLUBE GREASE DISPENSER:

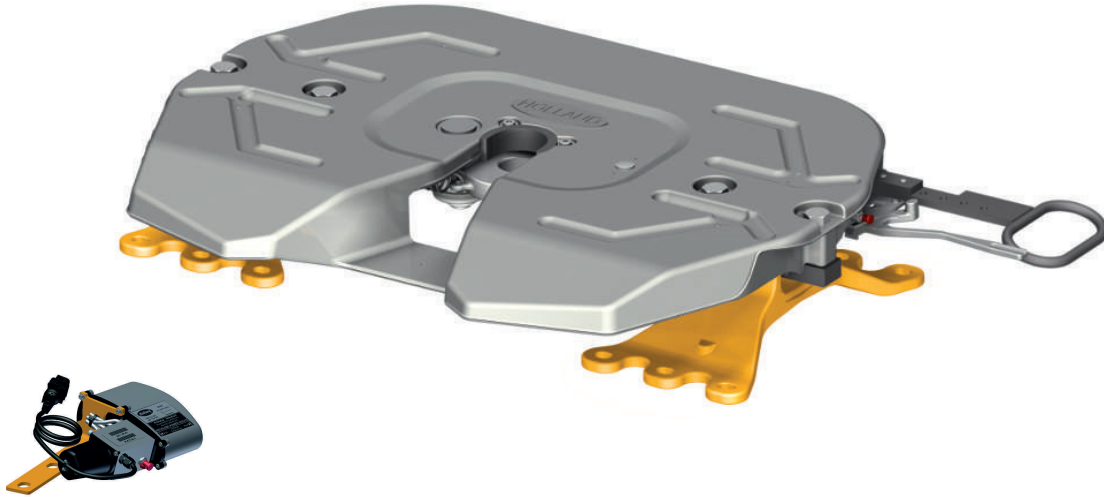
- No need for regular manual lubrication
- **Environmentally friendly, optimised lubrication** thanks to automatic dosage
- **High pump capacity** guarantees functionality even in difficult conditions and at low temperatures
- Grease supply sufficient for **1 year of operation** or **100 000 km**
- **Refilling via lubrication nipple** using standard cartridge gun
- **Functionality and fill-level monitoring** via vehicle display

## RECOLUBE POWER SKX 372



This high-performance lubricant is ideal for the automatic lubrication of fifth wheels – both at very low and very high temperatures. The special lubricant is capable of withstanding extreme loads, is exceptionally resistant to water and at the same time offers excellent protection against corrosion.

## SK-S 36.20 WITH RECOLUBE

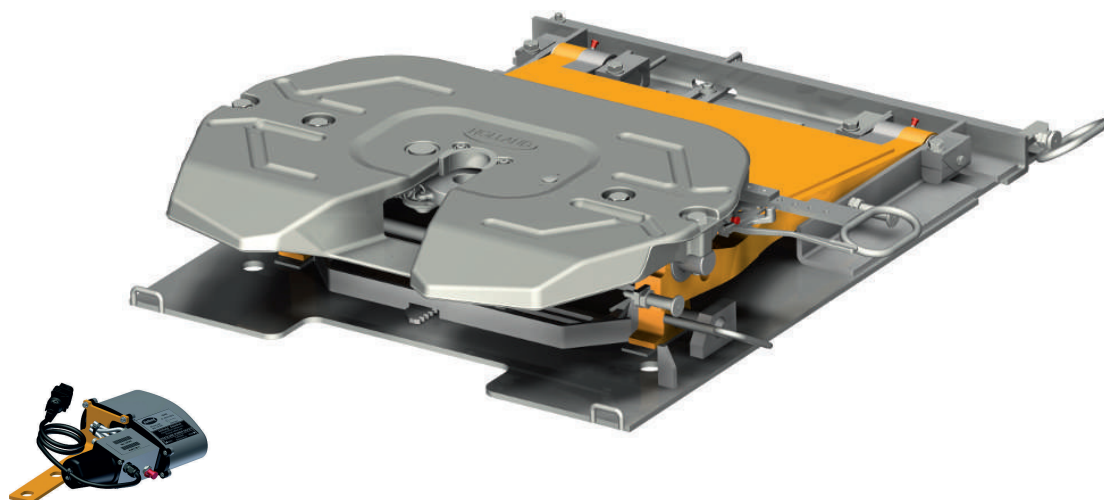


- Five separate pump elements with high output pressure
- Controlled from vehicle's central on-board computer
- Electronic fill-level monitoring in vehicle display
- Monitoring of functions in vehicle display
- Mounted on mounting bracket

### TECHNICAL DATA

Type	Lock size [Inch]	Overall height [mm]	Weight [kg]	MAN Order Code	MAN Part No.	Order no.
SK-S 36.20 Recolube	2	128	119	-	-	<b>662129550</b>
SK-S 36.20 Recolube	2	150	120	491PA	81.42710-6317	<b>662129551</b>
SK-S 36.20 Recolube	2	185	125	491PC	81.42710-6301	<b>662129552</b>
SK-S 36.20 Recolube	2	225	126	-	-	<b>662129553</b>
SK-S 36.20 Recolube	2	250	135	491PF	81.42710-6318	<b>662129554</b>

## SK-S 36.20 H (DUAL DUTY FIFTH WHEEL) WITH RECOLUBE

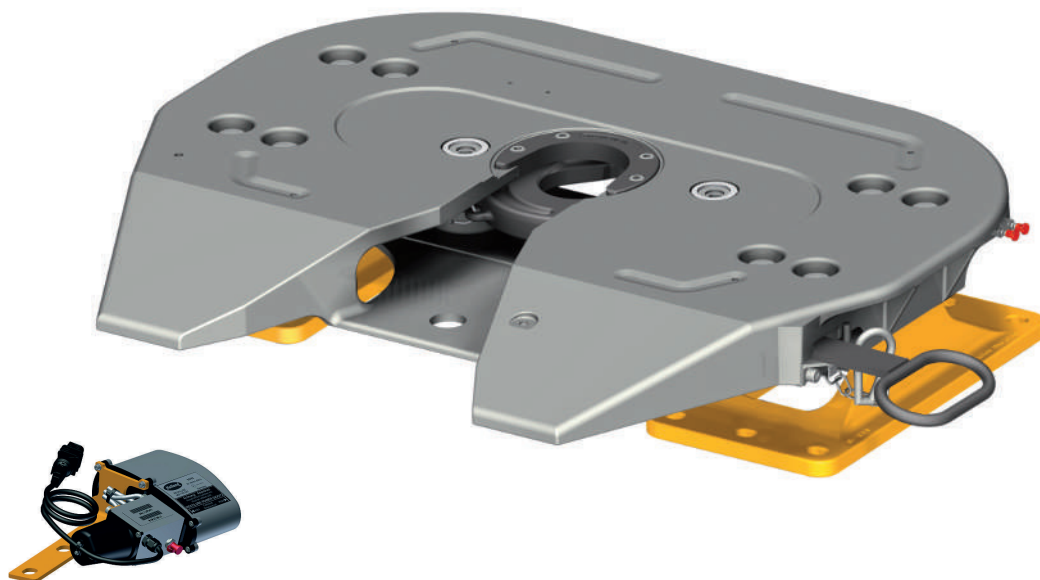


- Extremely robust and user friendly
- Weight optimised model
- Adjustable coupling height
- Simple wear adjustment
- Approved for forced steering

### TECHNICAL DATA

Type	Lock size [Inch]	Overall height [mm]	Weight [kg]	MAN Order Code	MAN Part No.	Order no.
SK-S 36.20 H Recolube	2	167-317	333	491HM	81.42710-6327	<b>662132893</b>

## SK-HD 38.36 WITH RECOLUBE



- Permanent, maintenance-free bearings
- Conversion from 3.5" to 2" and vice versa possible
- Simple adjustment of locking mechanism
- Suitable for steering wedge applications

### TECHNICAL DATA

Type	Lock size [Inch]	Overall height [mm]	Weight [kg]	MAN Order Code	MAN Part No.	Order no.
SK-HD 38.36 Recolube	2	190	194	491NP	81.42710-6321	<b>662111034</b>
SK-HD 38.36 Recolube	3.5	190	193	491PP	81.42710-6320	<b>662111032</b>



## SPARE PARTS RECOLUBE



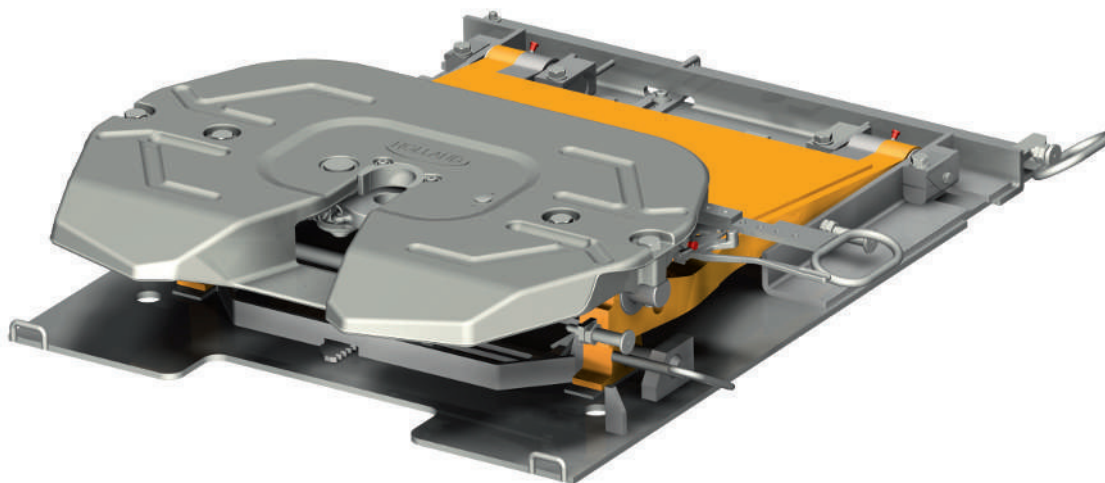
Only for MAN-versions Recolube can be used

### TECHNICAL DATA

FW type	Name	Content	MAN Part No.	SAF Part No.
SK-S 36.20 SK-HD 38.36	RECOLUBE lubrication pump	RECOLUBE lubrication pump with lubrication lines without bracket	81.49101-6081	662 101 781
SK-S 36.20 H	RECOLUBE lubrication pump	RECOLUBE lubrication pump without lubrication lines, without bracket	81.49101-6083	662 101 783
SK-S 36.20	bracket	with screws and washer 3 x M4 x 20 2 x M6 x 20	81.49120-0049	662 101 784
SK-HD 38.36	bracket	with screws and washer 3 x M4 x 20 2 x M6 x 20	81.49120-0050	662 101 785
SK-S 36.20 H	bracket + screw kit	1 x bracket + 2 x M10 x 20 + 2 x washer	81.49120-0051	662 101 787
SK-S 36.20 SK-HD 38.36 SK-S 36.20 H	grease tube pre-filled	2 m tube + 3 push-fit plug D6	81.49501-0067	662 101 786
SK-S 36.20 SK-HD 38.36 SK-S 36.20 H	Holland RECOLUBE POWER SKX 372 refill grease	2 x 400 g cartridge	09.15014-0044	662 101 788
SK-S 36.20 SK-HD 38.36 SK-S 36.20 H	Holland RECOLUBE POWER SKX 372 bulk pack grease	25 kg bucket	09.15014-0043	662 101 789
SK-S 36.20 H	Lubrication kit (only for RECOLUBE)	Lubrication kit with grease tubes	–	662 132 043



## SK-S 36.20 H (DUAL DUTY FIFTH WHEEL)



- Approved for forced steering
- ECE Type Approval no: E11 55R-01 1381

### ORDERING INSTRUCTIONS

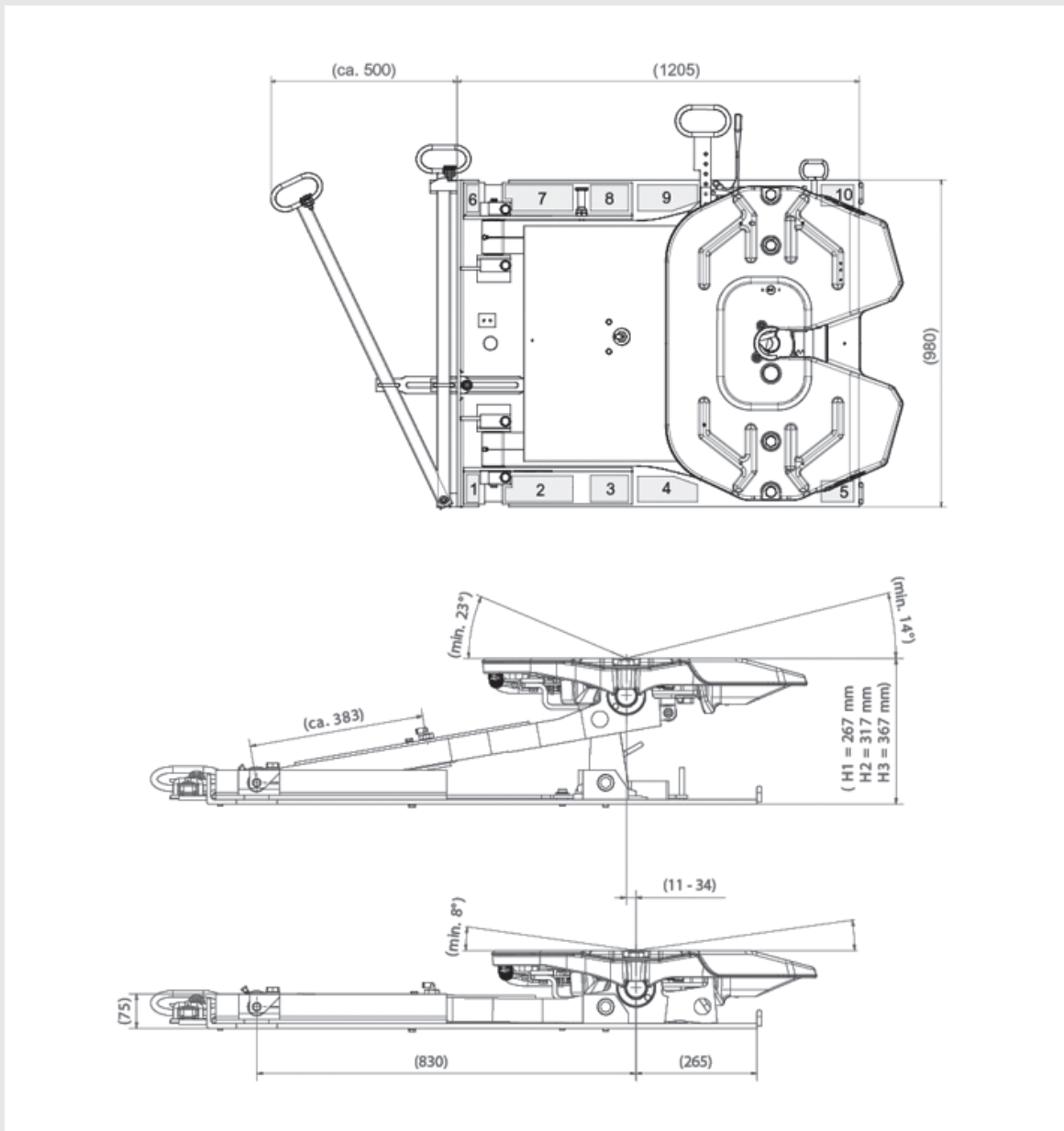
- The standard versions listed are not pre-drilled
- Hole patterns for vehicle mounting\* are available on request for DAF, Iveco, MAN, Mercedes-Benz Trucks, Renault, Scania, and Volvo, among others.
- Please specify the tractor vehicle brand when placing your order.
- The use of SAF-HOLLAND mounting kits is recommended for mounting the dual-height fifth wheel.
- SAF-HOLLAND height-adjustable fifth wheels are suitable for 4 x 2 tractor units factory-equipped with a mounting angle for mounting the adjustable height fifth wheel. Other vehicles must be assessed on a case-by-case basis.
- The dual-duty fifth wheel is designed for the use with 4 x 2 Lowliner semitrailer tractors for volume transport.
- The dual-duty fifth wheel is not suitable for tank, silo and tipper vehicles.
- The dual-duty fifth wheel is not suitable for off-road use.
- Dual-duty fifth wheels are mounted directly onto the vehicle subframe without a mounting plate. The subframe must be designed for lift SK mounting. If not all holes are available in the subframe, these must be drilled by the customer.
- Pre-drilled dual-duty fifth wheels are mounted in the lowered position with the standard fifth wheel lead recommended by the vehicle manufacturer. All drilled holes must be used (see assembly instructions).

\* The hole patterns for vehicle mounting comply with the EURO standard fifth wheel lead that is specified by the vehicle manufacturers, and recommended in member states of the EU for fifth wheel mounting when the dual-height fifth wheel is in the lowered position. In a 2-axle tractor vehicle, the standard fifth wheel lead is the distance from the middle of the rear axle to the middle of the kingpin.

## TECHNICAL SPECIFICATIONS

- Movement around lateral axis at basic height 6°
- Operation: adjustable by means of the tractor's compressed air system with pneumatic support (air bellows)
- In raised position, fifth-wheel lead increased by: 11 mm [267] / 24 mm [317] / 34 mm [367]

## DIMENSIONS



- The fixing holes may be drilled in these 10 areas
- Increase number of bolts accordingly when using bolts with a smaller diameter

Subject to modifications in dimensions and design

## TECHNICAL DATA

### Standard Model / Mounting width up to 930 mm

Type	Overall height [mm]	Imposed load [t]	D-value [kN]	Weight [kg]	Dimensions [mm]	Order no.
SK-S 36.20 H	167-267	15	110	320	1205x980	<b>662132311Z</b>
SK-S 36.20 H	167-317	15	110	324	1205x980	<b>662132312Z</b>
SK-S 36.20 H	167-367	15	110	328	1205x980	<b>662132313Z</b>

### Standard Model / Mounting width over 930 mm

Type	Overall height [mm]	Imposed load [t]	D-value [kN]	Weight [kg]	Dimensions [mm]	Order no.
SK-S 36.20 H	167-267	15	110	322	1205x1010	<b>662142311Z</b>
SK-S 36.20 H	167-317	15	110	326	1205x1010	<b>662142312Z</b>
SK-S 36.20 H	167-367	15	110	330	1205x1010	<b>662142313Z</b>

## MOUNTING KITS SK-S 36.20 H

### Standard Model

Type	Mounting	Model	Order no.
725	Mercedes Benz, Australia, New Zealand	12xM20	<b>662101725</b>
726	IVECO, MAN, DAF, Renault (Magnum, Premium)	14xM16	<b>662101726</b>
728	Volvo	20xM14	<b>662101728</b>
729	Scania	14xM18	<b>662101729</b>

**Manufacturer-specific standard model lubricated**

Type	Overall height [mm]	Imposed load [t]	D-value [kN]	Weight [kg]	Dimensions [mm]	Order no.
<b>MAN</b>						
SK-S 36.20 H	167-267	15	110	320	1205x980	662132605E
SK-S 36.20 H	167-317	15	110	324	1205x980	662132606E
SK-S 36.20 H	167-367	15	110	328	1205x980	662132607E
<b>Mercedes-Benz</b>						
SK-S 36.20 H*	167-267	15	110	320	1205x980	662132405S
SK-S 36.20 H*	167-317	15	110	324	1205x980	662132406S
SK-S 36.20 H*	167-367	15	110	328	1205x980	662132407S
SK-S 36.20 H**	167-267	15	110	322	1205x1010	662142805S
SK-S 36.20 H**	167-317	15	110	326	1205x1010	662142806S
SK-S 36.20 H**	167-367	15	110	330	1205x1010	662142807S
<b>Scania***</b>						
SK-S 36.20 H	167-267	15	110	320	1205x980	662132505D
SK-S 36.20 H	167-317	15	110	324	1205x980	662132506D
SK-S 36.20 H	167-367	15	110	328	1205x980	662132507D
<b>Iveco</b>						
SK-S 36.20 H	167-267	15	110	320	1205x980	662132555Z
SK-S 36.20 H	167-317	15	110	324	1205x980	662132556Z
SK-S 36.20 H	167-367	15	110	328	1205x980	662132557Z
<b>DAF</b>						
SK-S 36.20 H	167-267	15	110	320	1205x980	662132705T
SK-S 36.20 H	167-317	15	110	324	1205x980	662132706T
SK-S 36.20 H	167-367	15	110	328	1205x980	662132707T
<b>Volvo / Renault D &amp; T Modell****</b>						
SK-S 36.20 H	167-267	15	110	320	1205x1010	662142458Z
SK-S 36.20 H	167-317	15	110	324	1205x1010	662142459Z
SK-S 36.20 H	167-367	15	110	328	1205x1010	662142460Z
<b>Renault Magnum</b>						
SK-S 36.20 H	167-267	15	110	322	1205x980	662132755Z
SK-S 36.20 H	167-317	15	110	326	1205x980	662132756Z
SK-S 36.20 H	167-367	15	110	330	1205x980	662132757Z
<b>Renault Premium</b>						
SK-S 36.20 H	167-267	15	110	322	1205x980	662132655Z
SK-S 36.20 H	167-317	15	110	326	1205x980	662132766Z
SK-S 36.20 H	167-367	15	110	330	1205x980	662132767Z

\* Not compatible with Mercedes-Benz with holes 942-960 mm apart

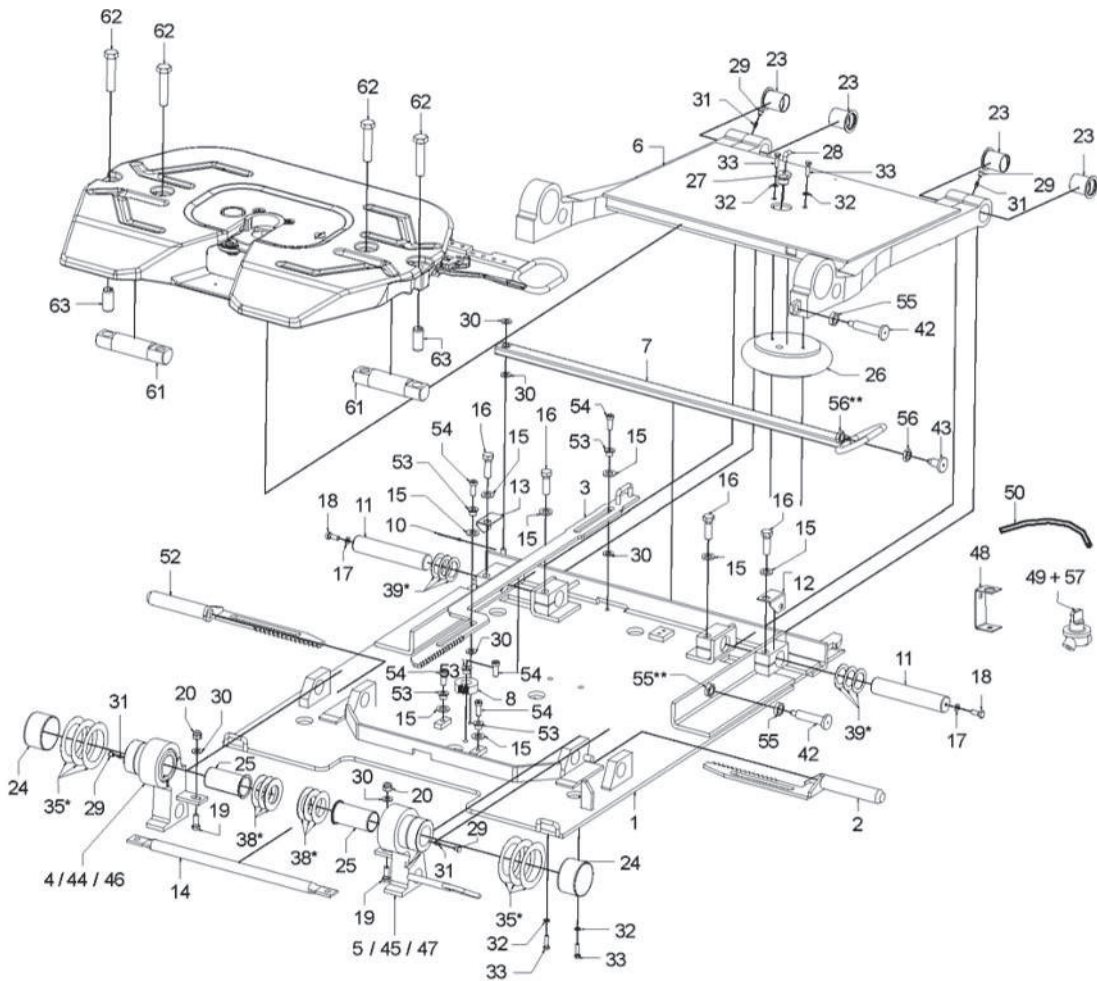
\*\* Mounting kit mounting angles 662 101 657 included with delivery

\*\*\* Additional mounting angle required for vehicle mounting:  
 for wheel base 3550 mm: 662 101 735 (up to spring 2012)  
 for wheel base 3700 mm: 662 101 734 (up to spring 2012)  
 for wheel base 3550/3600 mm: 662 101 776 (from spring 2012)  
 for wheel base 3700/3750 mm: 662 101 777 (from spring 2012)

\*\*\*\* Attention: Drilling pattern Renault D & T model medium duty width 940 mm, single case examination is required



## SPARE PARTS SK-S 36.20 H

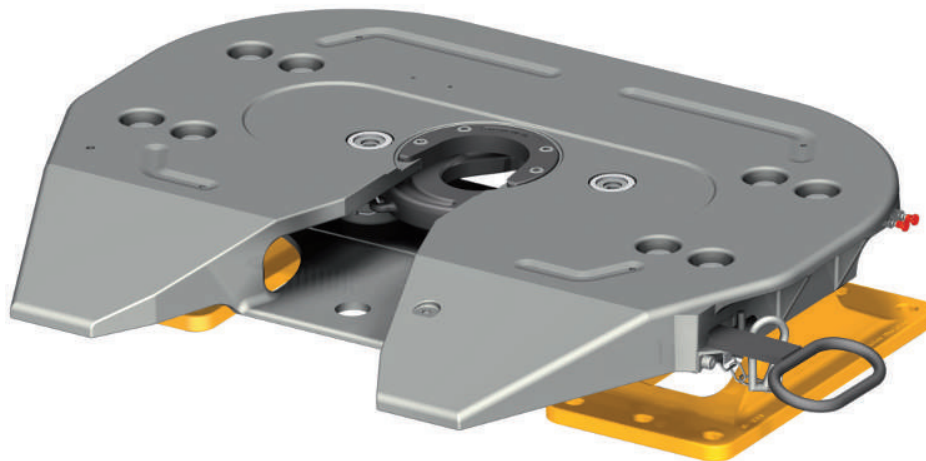


Item	Component	Dimensions	Pcs.	Order no.
	Repair kit locking mechanism**			662101492
	Conversion		1	662101741
	Repair kit air cushin (26, 27, 28, 32, 33)		1	662101742
	Repair kit locking mechanism cpl. (2, 3, 8, 15, 30, 52, 53, 54)		1	662101744
	Repair kit Operating handle		1	662101746
	Repair kit bearing (61, 62, 63)		1	662101758
	Repair kit locking mechanism cpl. (7, 10, 30)		1	662101760
	Repair kit pneumatic valve (48, 49, 50, 57)		1	662101761
	Repair kit Spring plate long (42, 55)		1	662101762
	Repair kit Spring plate short (43, 56)		1	662101763
	Repair kits for rocker bearing (11, 12, 13, 16, 17, 18, 23, 29)		1	662132195
	Repair kits for support bearing (19, 20, 24, 25, 30, 35*, 38*)		1	662132196
	Coupling plate			662132294
	Central lubrication unit (MAN)			662101810



Item	Component	Dimensions	Pcs.	Order no.
1	Brake cylinder support		1	
2	Lock pin right		1	
3	Actuating rod		1	
4	Support left 100 mm (25, 29, 31)	100mm	1	<b>662132181</b>
5	Support right 100 mm (25, 29, 31)	100mm	1	<b>662132182</b>
6	Rocker cpl.		1	
7	Locking lever		1	
8	Toothed wheel		1	
10	Cotter pin		1	
11	Bolt		2	
12	Lock plate right		1	
13	Lock plate left		1	
14	Guide pipe		1	<b>662132120</b>
15	Washer		8	
16	Screw	M16x1,5x55	4	
17	Spring washer	F10	2	
18	Screw	M10x25	2	
19	Screw	M12x30	2	
20	Hex-nut	M12x80	2	
23	Bush	40/44/50	4	
24	Bush	80/85/50	2	
25	Brass bush		2	
26	Air bag	FS200-100	1	
27	Screw		1	
28	90° elbow connector		1	
29	Grease fitting cap		4	
30	Washer	A13	6	
31	Grease nipple	AM8	4	
32	Spring washer		4	
33	Screw	M8x25	4	
35*	Compensating disc assembly		2	
38*	Compensating disc assembly		2	
39*	Distance washer kit		2	<b>662132199</b>
42	Spring plate long		2	
43	Spring plate short		1	
44	Support left 150 mm (25, 29, 31)	150mm	1	<b>662132183</b>
45	Support right 150 mm (25, 29, 31)	150mm	1	<b>662132184</b>
46	Support left 200 mm (25, 29, 31)	200mm	1	<b>662132185</b>
47	Support right 200 mm (25, 29, 31)	200mm	1	<b>662132186</b>
48	Holder		1	
49	Control valve	3/2	1	
50	Pneumatic tube		1	
52	Lock pin left		1	
53	Bush		5	
54	Cylinder screw	M12x30 8.8	5	
55	Hex-nut	M20x1,5x45	3	
56	Hex-nut	M18X1	2	
57	Hex-nut(not shown )	M28X1,5	1	
61	Spindle		2	
62	Hex-screw	M20X90	4	
63	Spring pin	25x45	2	

## SK-HD 38.36

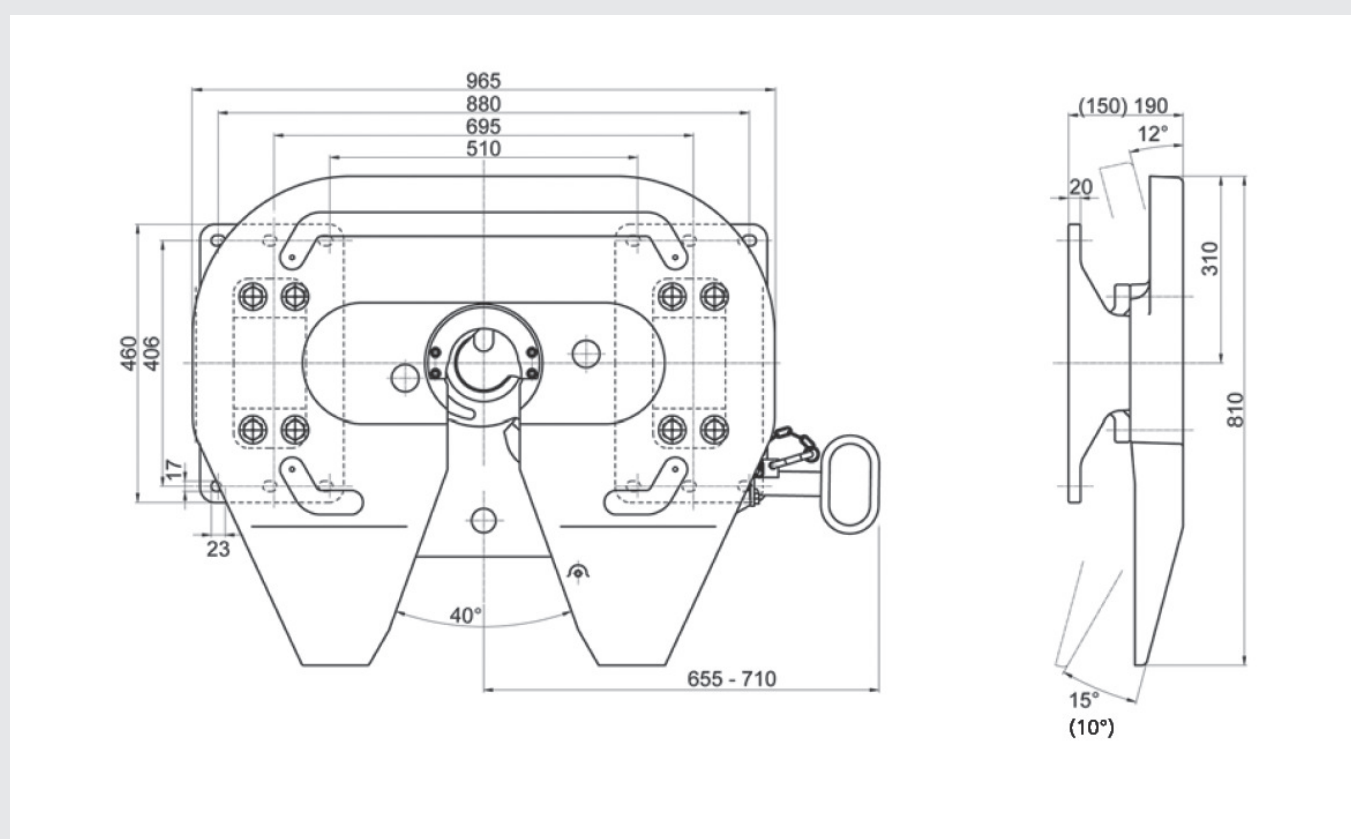


- Conversion from 2" to 3½" and vice versa possible
  - Conversion kit from 3½" to 2" : 662 101 704
  - Conversion kit from 2" to 3½" : 662 101 705
- Approved for forced steering
- Available with optional slider or also in an off-road version with gimbal mounting
- ECE type approval no.: E11-55R-01 8550 (2")
- ECE type approval no.: E11-55R-01 8549 (3½")

## TECHNICAL DATA

Type	Lock size [Inch]	Overall height [mm]	Imposed load [t]	D-value [kN]	Weight [kg]	Angle of inclination degree (w1/w2)	Order no.
<b>2"</b>							
SK-HD 38.36	2"	150	23	162	185	10° / 10°	<b>662111085</b>
SK-HD 38.36	2"	190	23	162	185	15° / 12°	<b>662111074</b>
<b>3,5"</b>							
SK-HD 38.36	3.5"	150	36	260	185	10° / 10°	<b>662111065</b>
SK-HD 38.36	3.5"	190	36	260	185	15° / 12°	<b>662111066</b>

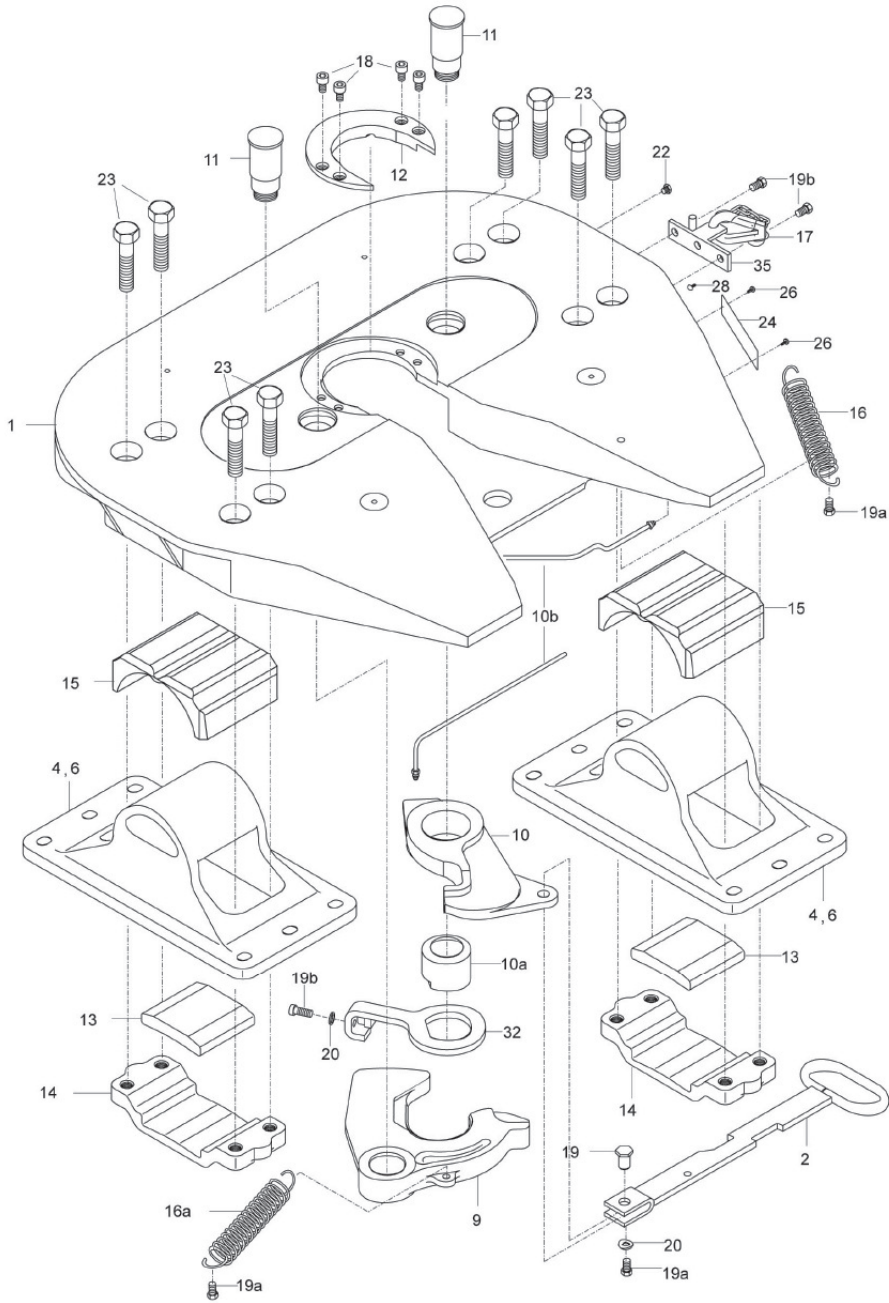
## DIMENSIONS



Mounting hole pattern according to DIN 74081  
 Subject to modifications in dimensions and design

# SPARE PARTS SK-HD 38.36

FROM SERIAL NUMBER 40001301



UP TO SERIAL NUMBER 40001300 PLEASE ASK FOR SPARE PARTS SEPARATELY  
**Please note: Also applies for serial numbers 40001055-1144 and 40001195-1216**

Item	Component	Dimensions	Pcs.	Order no.
	2" Repair kit bearing (13, 15, 23)*		1	662101457
	3.5" Repair kit bearing (13, 15, 23)*		1	662101457
	Conversion kit 3.5" to 2" (9, 12, 18, 24)		1	662101704
	Conversion kit 2" to 3.5" (9, 12, 18, 24)		1	662101705
	Repair kit locking mechanism and bearings (9, 11, 12, 13, 15, 18, 23)		1	662101706
	Repair kit locking mechanism and bearings (9, 11, 12, 13, 15, 18, 23)		1	662101707
	Repair kit locking mechanism (9, 11, 12, 18)	2"	1	662101708
	Repair kit locking mechanism (9, 11, 12, 18)	3.5"	1	662101709
	Repair kit wear ring (12, 18)		1	662101710
	Repair kit wear ring (12, 18)		1	662101711
	Coupling plate without mounting bracket	2"	1	662111092
	Coupling plate without mounting bracket	3.5"	1	662111093
1	Coupling plate		1	
2	Operating handle		1	662111276
4	Mounting bracket	150mm	2	662111293
6	Mounting bracket	190mm	2	662111256
9	Coupler jaw		1	
9	Coupler jaw		1	
10	Locking hook		1	662111239
10a	Eccenter		1	662111317
10b	Lubrication tube complete	L=410	2	
11	Pin cpl.		2	
12	Wear ring	2"	1	
12	Wear ring	3.5"	1	
13	Rubber damping		2	
14	Tensioning bar		2	662111258
15	Bearing insert		2	
16	Return spring		1	662126410
16a	Return spring		1	662111130
17	Clipper with linkage		1	
18	Cylinder screw	M12x14	4	
19	Bolt		1	662126449
19a	Screw	M10x20	3	659112359
19b	Cylinder screw	M10x25	3	659112358
20	U-washer	Ø10	2	662126175
22	Grease nipple	M8x1	2	662126224
23	Screw	M20x100	8	
24	Identification plate		1	
26	Groove pin	3x8	2	
28	Rivet		1	
32	Yoke		1	662111314
35	Safety flange		1	662111281
	Plug		1	662111346

\* Repair kit 2" and 3.5" identical

## SK-HD 38.36 G (OFF-ROAD USE)

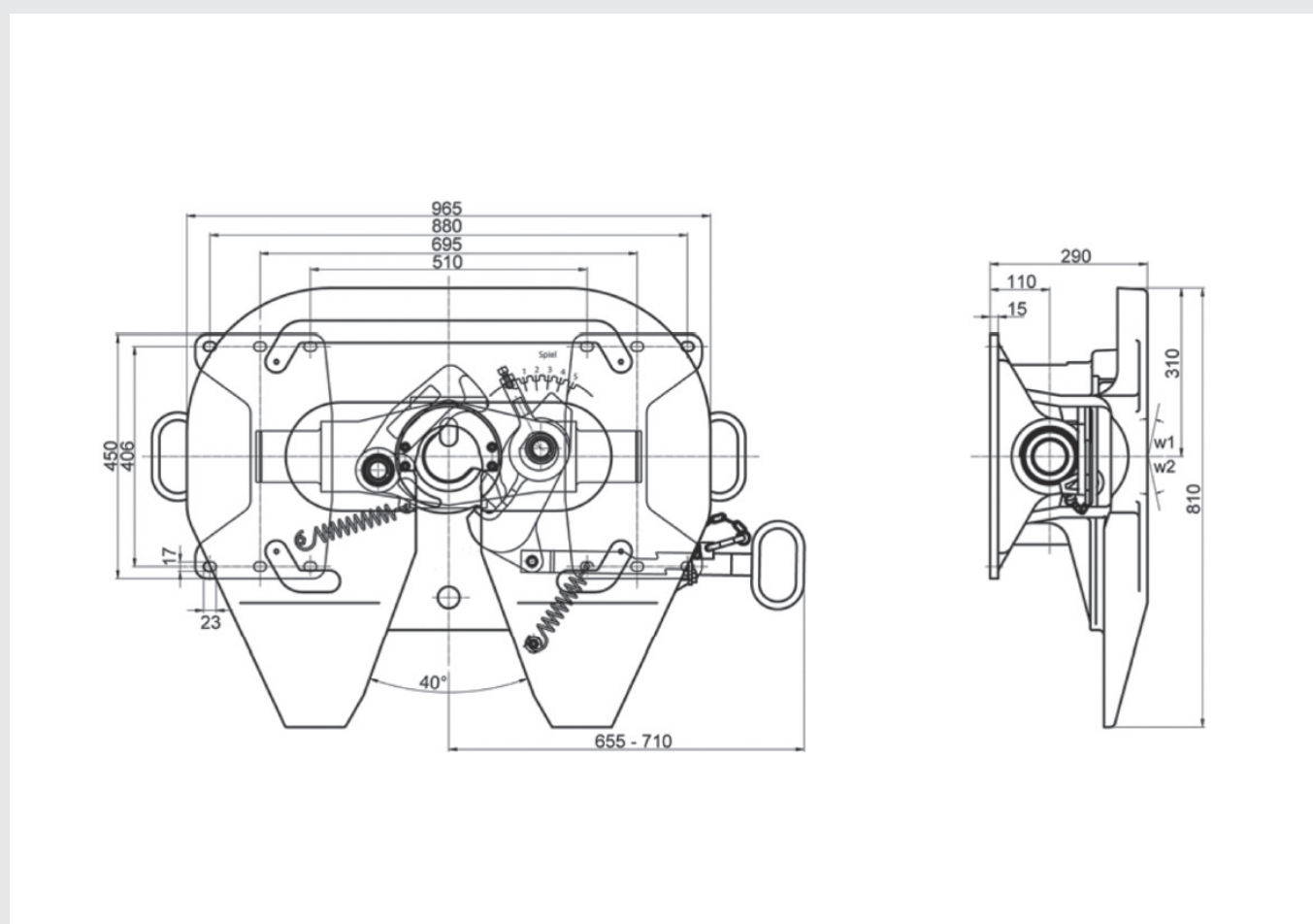


- Conversion from 2" to 3½" and vice versa possible
  - Conversion kit from 3½" to 2": 662 101 704
  - Conversion kit from 2" to 3½": 662 101 705
- Suitable for off-road use with double oscillation
- Suitable for steering wedge applications
- **PLEASE NOTE:** not authorized for road transport

## TECHNICAL DATA

Type	Lock size [Inch]	Overall height [mm]	Imposed load [t]	D-value [kN]	Weight [kg]	Angle of inclination degree (w1/w2)	Indination degree	Order no.
<b>2"</b>								
SK-HD 38.36.2 G	2"	290	23	162	272	17° / 14°	6,5	<b>662111089</b>
<b>3,5"</b>								
SK-HD 38.36 G	3.5"	290	36	260	272	17° / 14°	6,5	<b>662111088</b>

## DIMENSIONS

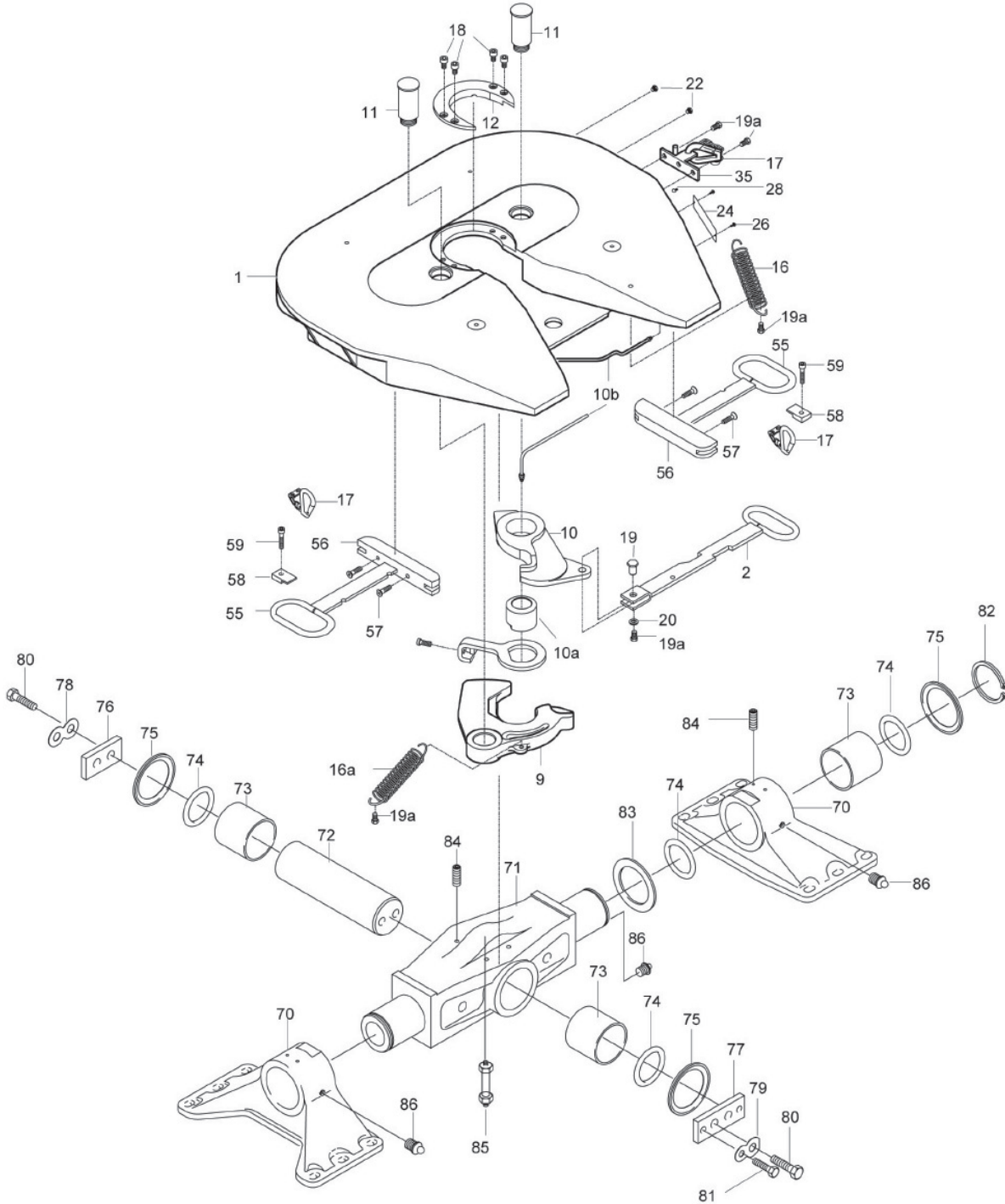


Mounting hole pattern according to DIN 74081

Subject to modifications in dimensions and design

# SPARE PARTS SK-HD 38.36 G

FROM SERIAL NUMBER 40001301



UP TO SERIAL NUMBER 40001300 PLEASE ASK FOR SPARE PARTS SEPARATELY

Please note: Also applies for serial numbers 40001055-1144 and 40001195-1216



Item	Component	Dimensions	Pcs.	Order no.
	2" Repair kit bearing (73, 74, 78, 79, 80, 81, 84, 85, 86 *)*	2", 3.5"	1	662101487
	3,5" Repair kit bearing (73, 74, 78, 79, 80, 81, 84, 85, 86 *)*	2", 3.5"	1	662101487
	Conversion kit 3.5" to 2" (9, 12, 18, 24)		1	662101704
	Conversion kit 2" to 3.5" (9, 12, 18, 24)		1	662101705
	Repair kit locking mechanism (9, 11, 12, 18)	2"	1	662101708
	Repair kit locking mechanism (9, 11, 12, 18)	3.5"	1	662101709
1	Coupling plate		1	
2	Operating handle		1	662111276
9	Coupler jaw		1	
9	Coupler jaw		1	
10	Locking hook		1	662111239
10a	Eccenter		1	662111317
10b	Lubrication tube complete	L=410	2	
11	Pin cpl.		2	
12	Wear ring	2"	1	
12	Wear ring	3.5"	1	
16	Return spring		1	662126410
16a	Return spring		1	662111130
17	Clipper with linkage		3	
18	Cylinder screw	M12x14	4	
19	Bolt		1	662126449
19a	Screw	M10x20	2	659112359
20	U-washer	Ø10	1	662126175
22	Grease nipple	M8x1	2	662126224
24	Identification plate		1	
26	Groove pin	3x8	2	
28	Rivet		1	
35	Safety flange		1	662111281
55	Operating handle		2	
56	Stopper		2	
57	Countersink screw	M10x20	4	
58	Lock plate		2	
59	Cylinder screw	M10x25	2	
70	Mounting bracket		2	662111299
71	Rocker		1	662111303
72	Bearing bolt		1	662111306
73	Bearing bush		4	
74	O-ring		6	
75	Distance washer		4	659122075
76	Plate		1	662111304
77	Clamping sleeve		1	662111307
78	Locking plate	2"	1	
79	Locking plate	3.5"	2	
80	Screw	M20x45	4	
81	Screw	M14x30	2	
82	Circlip		2	662111302
83	Distance washer		2	659122074
84	Grooved cylindrical pin		8	
85	Extension		1	
86	Grease nipple	M8x1	6	

\* Repair kit 2" and 3.5" identical

## FW0100

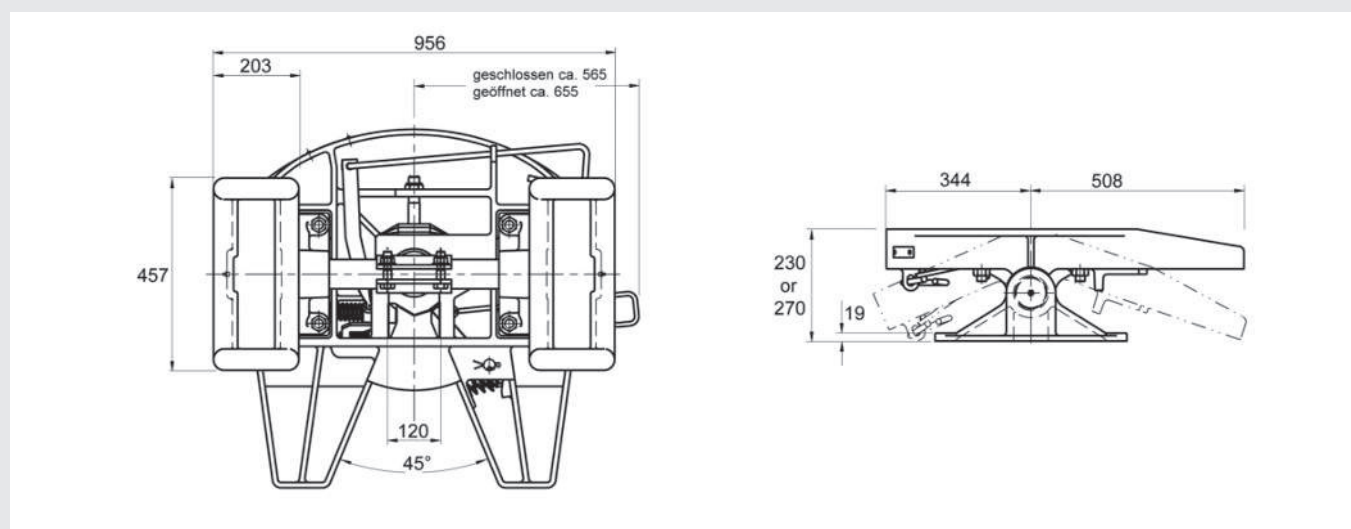


- 3½" extra heavy duty fifth wheel manufactured from high strength cast steel, designed for the most demanding applications
- Minimum operating temperature -40° C
- Suitable for rear axle steering systems
- **PLEASE NOTE:** not authorized for road transport

## TECHNICAL DATA

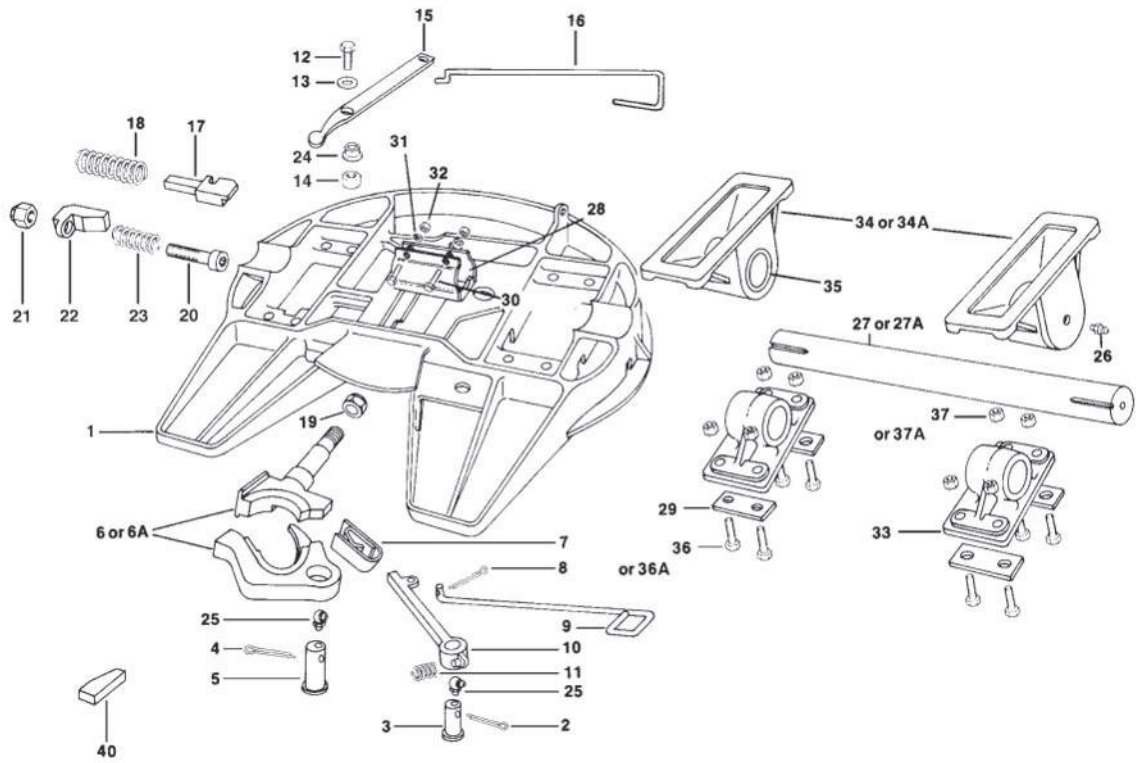
Type	Lock size [Inch]	Overall height [mm]	Imposed load [t]	D-value [kN]	Weight [kg]	Order no.
FW0100-03	3.5"	Coupling plate	45	240	159	<b>FW0100-03</b>
FW0100-O	3.5"	270	45	240	272	<b>FW0100-O</b>
FW0100-OC	3.5"	230	45	240	268	<b>FW0100-OC</b>

## DIMENSIONS



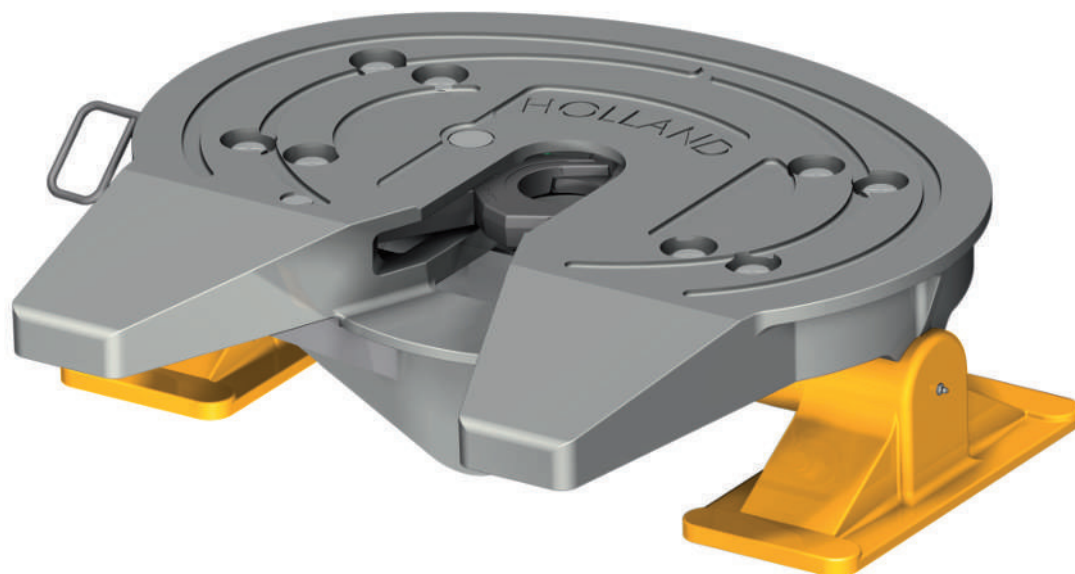
Production of the fifth-wheel according to DIN 74081 and DIN 74084

# SPARE PARTS FW0100



Item	Component	Dimensions	Pcs.	Order no.
	Repair kit fifth wheel cpl. (2-24, 40)	2"	1	<b>RK-65012</b>
	Repair kit fifth wheel cpl. (2-6A, 7-24, 40)	3.5"	1	<b>RK-65013</b>
	Repair kit locking mechanism (4-6, 10, 25, 40)	2"	1	<b>RK-65024</b>
	Repair kit locking mechanism (4-6A, 10, 25, 40)	3.5"	1	<b>RK-65024-1</b>
	Coupling plate	2"	1	<b>FW0100-02</b>
	Coupling plate	3.5"	1	<b>FW0100-03</b>
1	Fifth wheel top plate 2"		1	
1A	Fifth wheel top plate 3.5"		1	
2	Cotter pin	1/4"x2"	1	
3	Lock pin		1	
4	Cotter pin	1/4"x2,5"	1	
5	Lock pin		2	
6	Lock kit 2"		1	
6A	Lock kit 3.5"		1	
7	Spring		1	
8	Cotter pin	1/8"x1"	1	
9	Operating handle with saver		1	
10	Secondary lock arm		1	
11	Spring		1	
12	Hex-screw	1/2 - 20x1,75"	1	
13	Washer	1/2"	1	
14	Safety flange	1/2"-20"	1	
15	Lever, Release		1	
16	Operating handle		1	
17	Repair kit locking mechanism cpl.		1	
18	Spring		2	
19	Locknut	1"-14	1	
20	Hex socket head screw		1	
21	Nut	5/8"-11	1	
22	Adjusting Block		1	
23	Spring		1	
24	Bush		1	
25	Grease nipple	45°	2	
26	Grease nipple		2	
27	Axle		1	
28	Claming piece		2	
29	Spacer		4	
30	Screw	3/4"-16x3"	2	
31	Washer		2	
32	Nut	3/4"-16	2	
33	Axle bearing		2	
34	Mounting bracket		2	
34A	Mounting bracket		2	
35	Bush		2	
36	Screw	7/8"-14x4"	8	
36A	Screw	1"-8x4"	8	
37	Safety flange	7/8"-14	8	
37A	Safety flange	1"-8	8	
40	Adjusting Block		1	

## FW0165

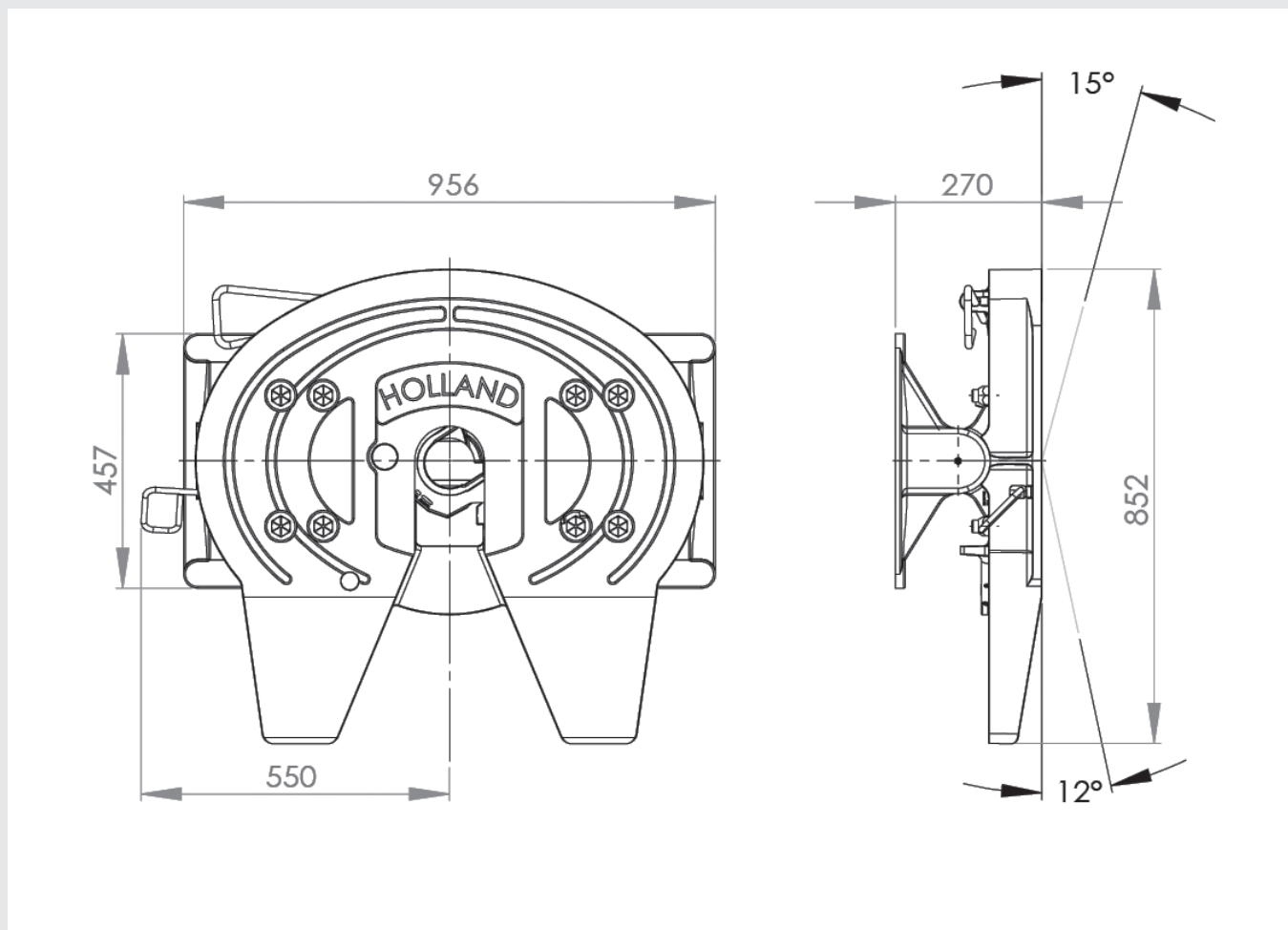


- Cast steel
- **PLEASE NOTE:** not authorized for road transport

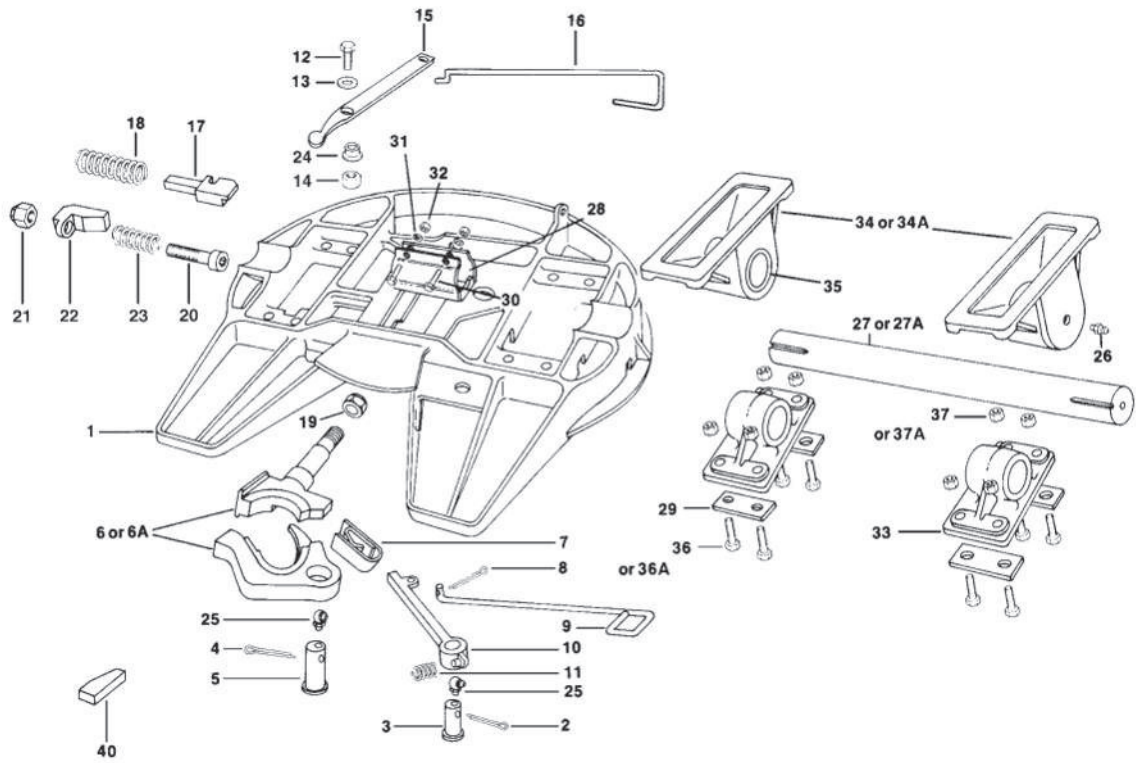
## TECHNICAL DATA

Type	Lock size [Inch]	Overall height [mm]	Imposed load [t]	D-value [kN]	Weight [kg]	Order no.
FW0165-0091	3.5"	270	74	240	302	<b>FW0165-0091</b>

## DIMENSIONS



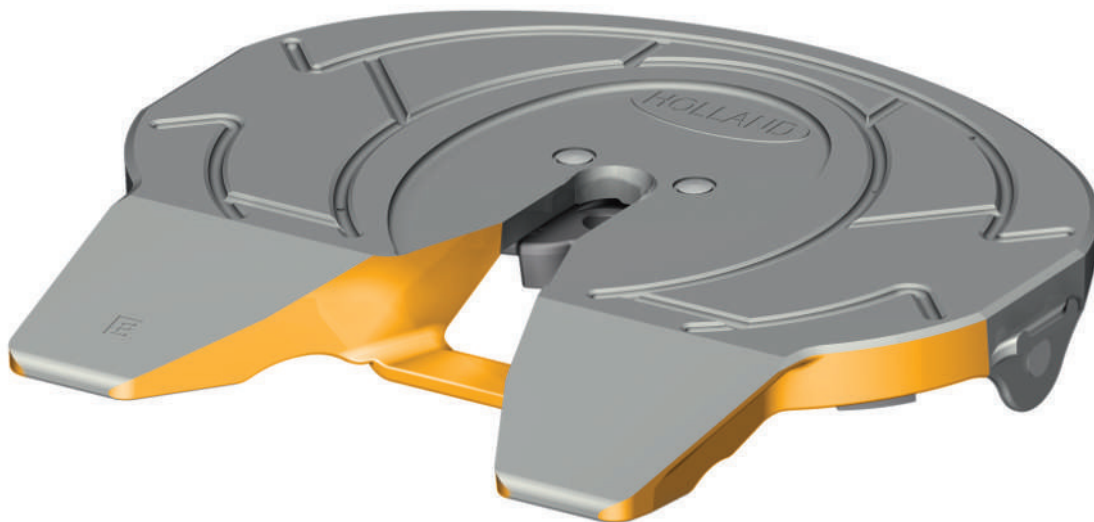
# SPARE PARTS FW0165





Item	Component	Dimensions	Serial no.	Pcs.	Order no.
	Repair kit locking mechanism 2" (4-6, 10, 25, 40)	2"		1	<b>RK-65024</b>
	Repair kit locking mechanism 3.5" (4-6A, 10, 25, 40)	3.5"		1	<b>RK-65024-1</b>
	Repair kit fifth wheel cpl. 2" (2-24, 40)	2"		1	<b>RK-65012</b>
	Repair kit fifth wheel cpl. 3.5" (2-6A, 7-24, 40)	3.5"		1	<b>RK-65013</b>
1	Fifth wheel top plate			1	
2	Cotter pin	1/4"x2"		1	
3	Lock pin			1	
4	Cotter pin	1/4"x2,5"		1	
5	Lock pin			1	
6	Lock kit 2"			1	
6A	Lock kit 3.5"			1	
7	Spring			1	
8	Cotter pin	1/8"x1"		1	
9	Operating handle with saver			1	
10	Secondary lock arm			1	
11	Spring			1	
12	Hex-screw	1/2 - 20x1,75"		1	
13	Washer	1/2"		1	
14	Safety flange	1/2"-20"		1	
15	Lever, Release			1	
16	Operating handle			1	
17	Repair kit locking mechanism cpl.			1	
18	Spring			1	
19	Locknut	1"-14		1	
20	Hex socket head screw			1	
21	Nut	5/8"-11		1	
22	Adjusting Block			1	
23	Spring			1	
24	Bush			1	
25	Grease nipple	45°		2	
26	Grease nipple			2	
27	Axle			1	
28	Claming piece			2	
29	Spacer			4	
30	Screw	3/4"-16x3"		2	
31	Washer			2	
32	Nut	3/4"-16		2	
33	Axle bearing			2	
34	Mounting bracket 270 mm			2	
35	Bush			2	
36	Screw	7/8"-14x4"		8	
36A	Screw	1"-8x4"		8	
37	Safety flange	7/8"-14		8	
37A	Safety flange	1"-8		8	
40	Adjusting Block			1	

## FW3510-TR



- Suitable for steering wedge applications
- Not authorized for road transport, only with manual secondary lock
- ECE type approval no.: E11 55R-01 6172

## TECHNICAL DATA

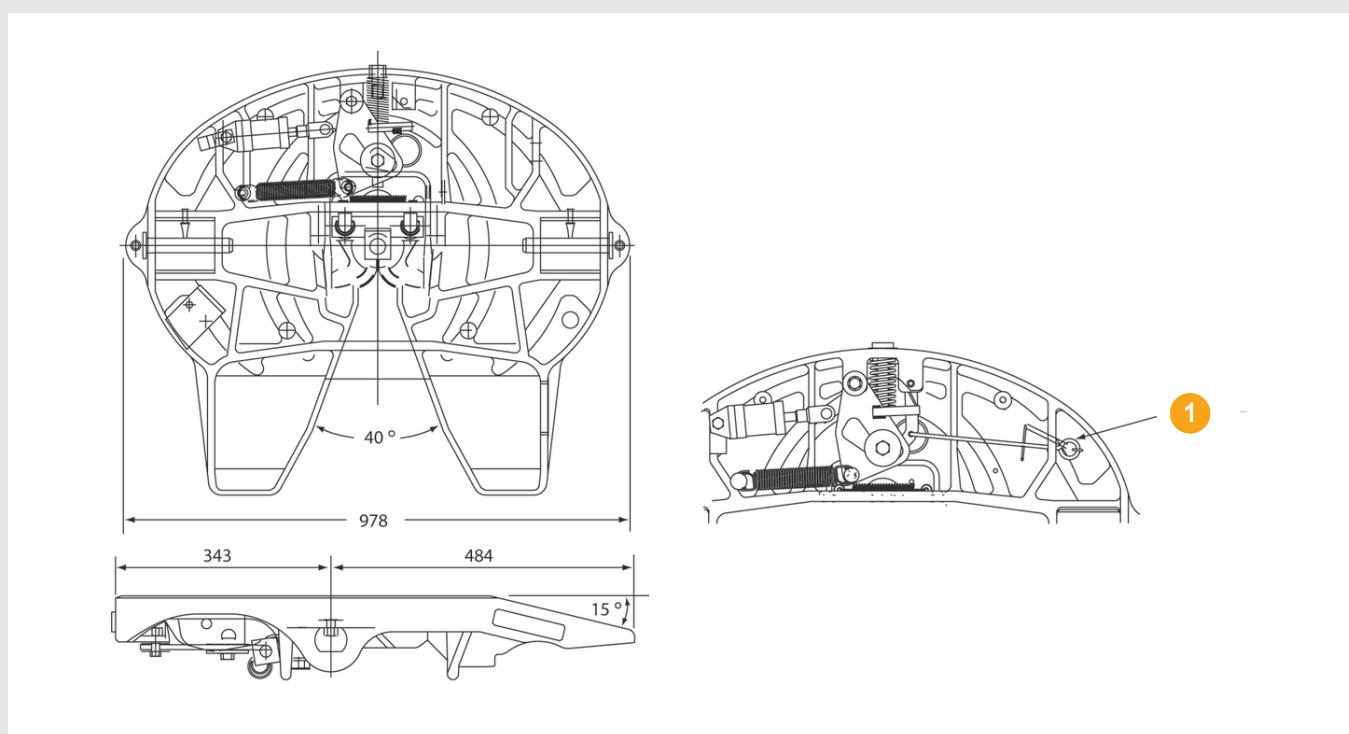
Type	D-value [kN]	Imposed load [t]	Weight [kg]	Order no.
FW3510-TR	-	36	120	FW3510-TR

- The load limits given are valid for operation with speed limited to 35 km/h maximum and for use on well maintained roadways and yard

Type	D-value [kN]	Imposed load [t]	Weight [kg]	Order no.
FW3510-TR-EG	175	23	121	FW3510-TR-EG

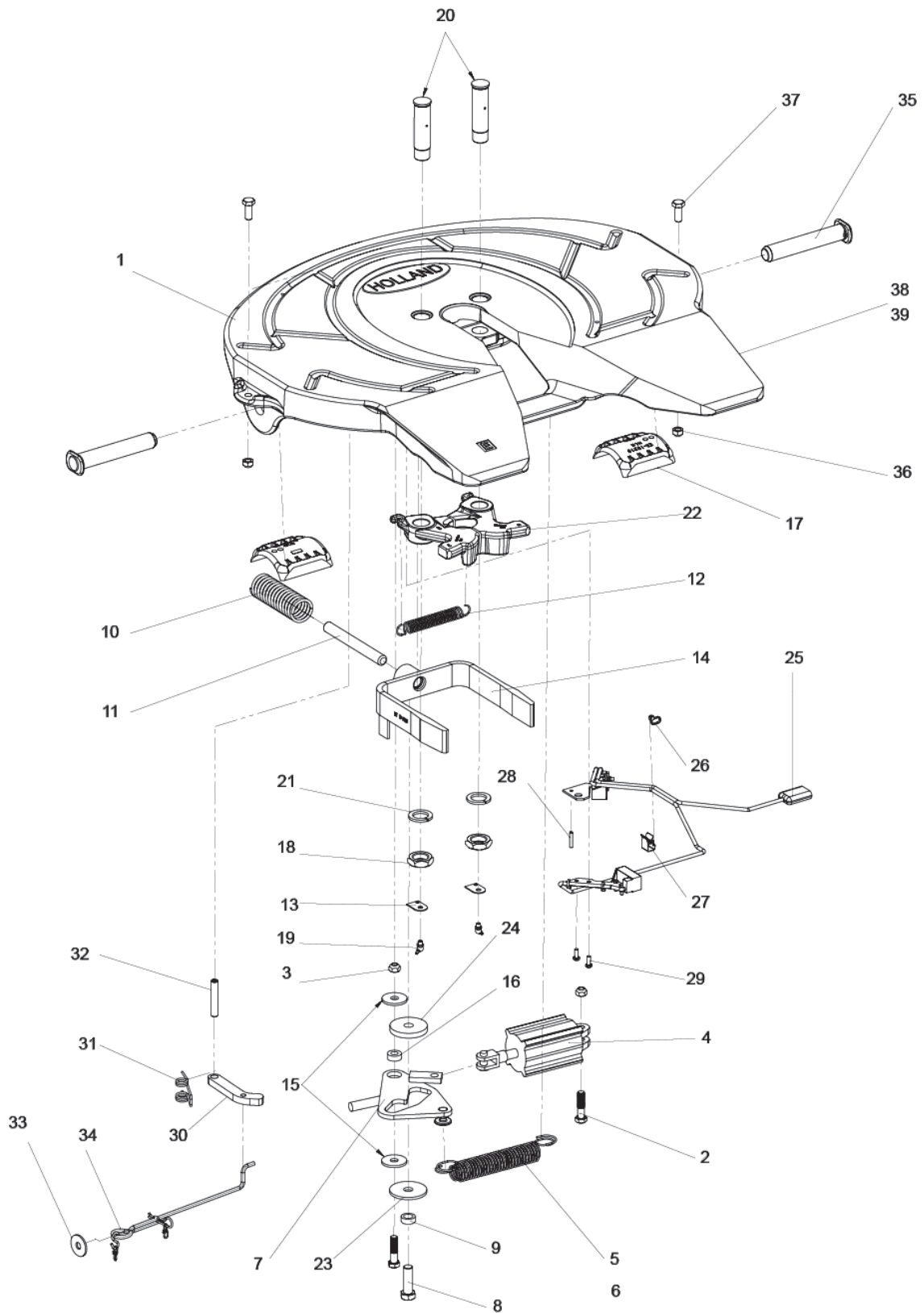
- Specification with optional manual secondary lock for operation on public roads

## DIMENSIONS



1 Manual secondary lock

# SPARE PARTS FW3510-TR



Item	Component	Dimensions	Pcs.	Order no.
	Repair kit fifth wheel cpl. (2-3, 5-16, 18, 24)			<b>RK-3510-TR-2</b>
	Repair kit fifth wheel cpl. (2-16, 18-24)			<b>RK-3510-TR</b>
	Repair kit locking mechanism (13, 18-22)			<b>RS-91103</b>
	Repair kit sensor (25-29)			<b>RS-91118</b>
	Repair kit bearing (17, 35-37)			<b>RS-91139</b>
	Lock bar (30-34)			<b>RS-91141</b>
1	Coupling plate without mounting bracket		1	
2	Screw	M12x50	2	
3	Safety flange	M12	2	
4	Pneumatic cylinder		1	
5	Return spring - outside		1	
6	Return spring - inside		1	
7	Cam plate		1	
8	Screw	M12x50	1	
9	Cam roller		1	
10	Spring		1	
11	Yoke shaft		1	
12	Spring		1	
13	Holder for cable tape		2	
14	Yoke		1	
15	Washer		2	
16	Bush		1	
17	Pocket Insert		2	
18	Nut	M27	2	
19	Grease nipple	45° - M8x1	2	
20	Lock pin		2	
21	Spring washer	M27	1	
22	Lock jaw kit		1	
23	Washer (Knorr)		1	
24	Distance washer		1	
25	Sensor	351 - 24V	1	
26	Cable clip		1	
27	Holder for sensor		1	
28	Bolt		1	
29	Screw	M6x16	2	
30	Lock bar		1	
31	Spring, Torsion		1	
32	Spiral pin		1	
33	Washer		1	
34	Zuggriff-Manuelle Sicherung		1	
35	Bearing bolt		2	
36	Safety flange	M12	2	
37	Screw	M12x30	2	
38	Identification plate			

## FW0E70-T



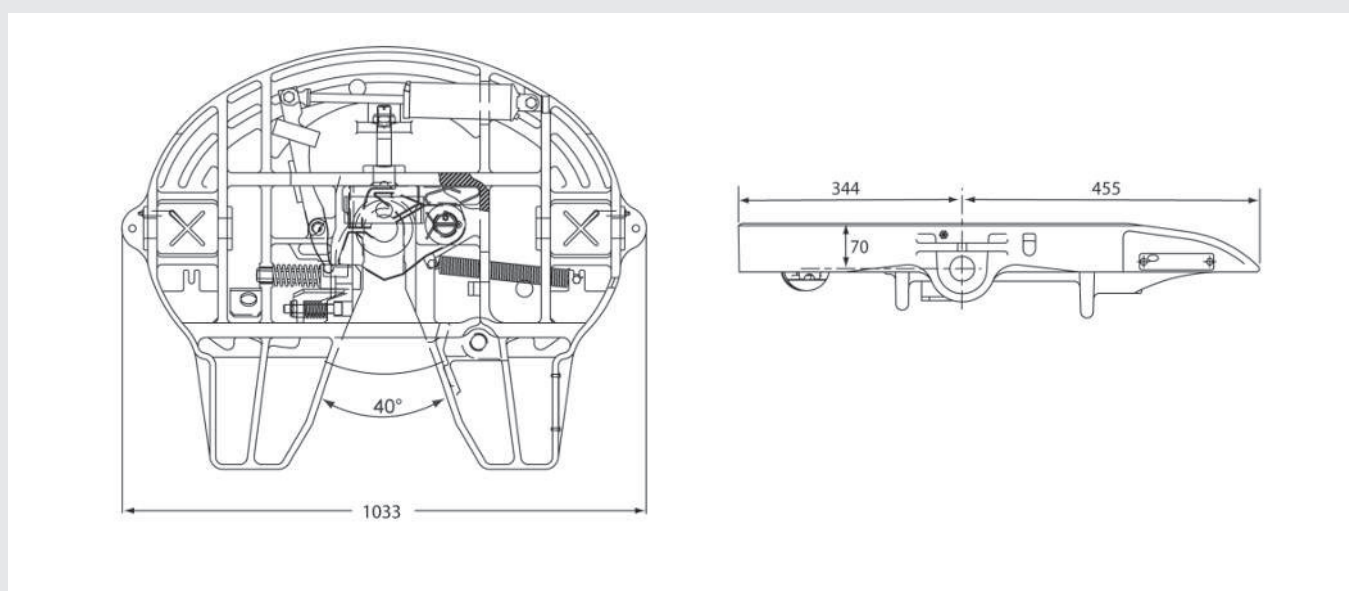
- High strength cast steel construction – permitted operating temperature to  $-40^{\circ}\text{C}$
- Air operated lock release mechanism
- Gross weights over 120,000 kg in certain applications allowed
- **PLEASE NOTE:** not authorized for road transport

## TECHNICAL DATA

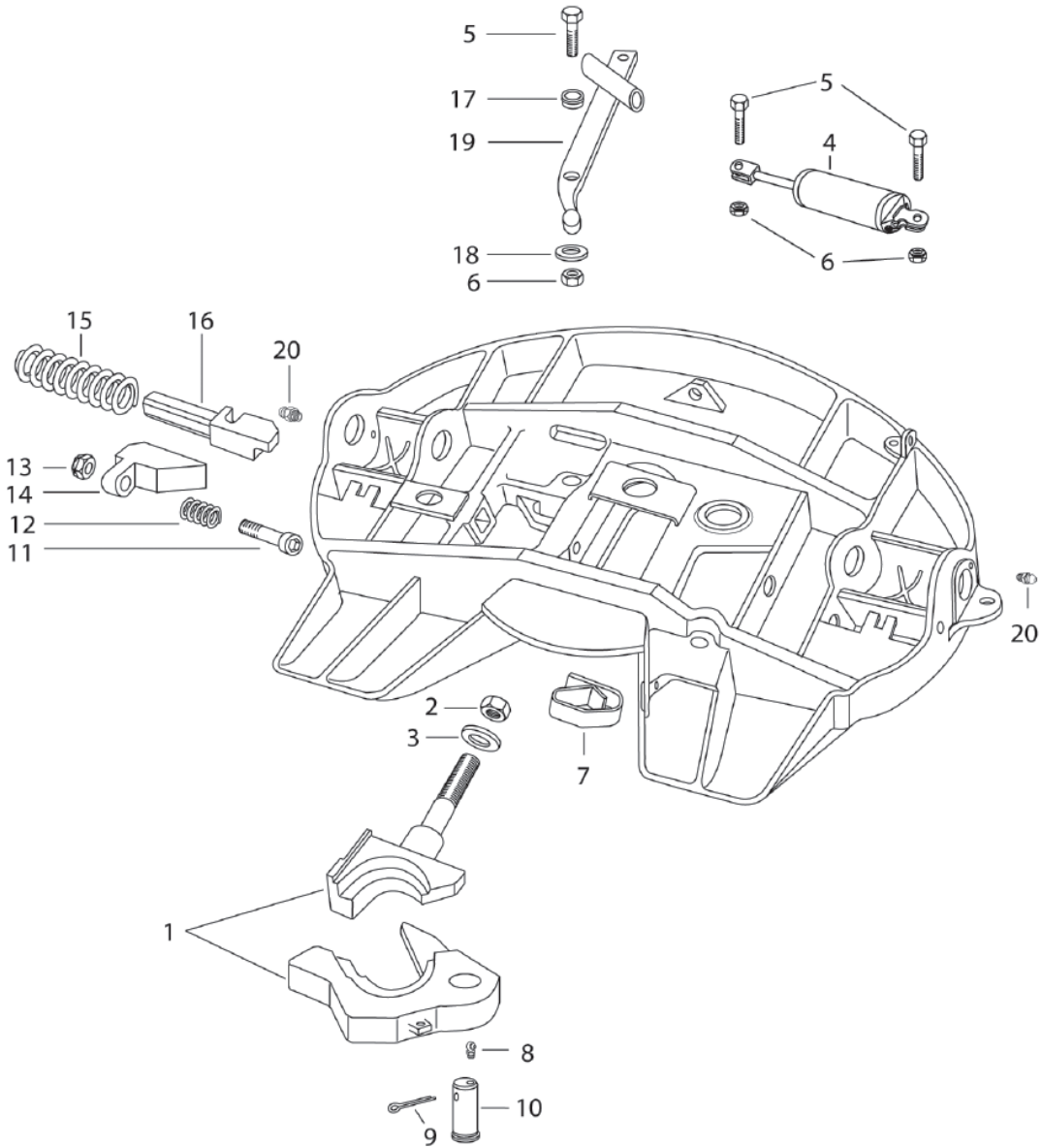
Type	Lock size [Inch]	Imposed load [t]	D-value [kN]	Weight [kg]	Order no.
<b>2"</b>					
FW0E70-02-T	2	45	165	148	FW0E70-02-T
<b>3,5"</b>					
FW0E70-03-T	3.5	45	240	148	FW0E70-03-T

- The load limits given are valid for operation with speed limited to 35 km/h maximum and for use on well maintained road ways and yards within distribution depots and dockyard areas

## DIMENSIONS



# SPARE PARTS FW0E70-T





Item	Component	Dimensions	Pcs.	Order no.
1	Locking kit king pin 2"		1	<b>XA-FW-104-D-T-KTL</b>
	Locking kit king pin 3.5"		1	<b>XA-FW-104-03-T-KTL</b>
2	Locknut	1"-14	1	
3	Sprinh washer		1	<b>XB-10327</b>
4	Air cylinder		1	<b>XA-2524-R-2</b>
5	Hex-screw	1/2 - 20x1,75"	3	
6	Safety flange	1/2"-20"	3	
7	Spring		1	
8	Grease nipple	90°	1	<b>XB-0769</b>
9	Cotter pin	1/4"x2,5"	1	
10	Lock pin		1	<b>XA-FW108-D</b>
11	Hex socket head screw	5/8"-11x4"	1	<b>XB-09407</b>
12	Spring		1	
13	Nut	5/8"-11	1	
14	Adjusting Block		1	<b>XD-3123-1-KTL</b>
15	Spring		1	
16	Locking lever		1	<b>XA-1104-1</b>
17	Bush		1	
18	Washer	1/2"	1	
19	Lever, Release		1	<b>XA-600200-KTL</b>
20	Grease nipple		2	





Notruf +49 6095 301-247  
Emergency Hotline

Kundendienst +49 6095 301-602  
Customer Service

Aftermarket +49 6095 301-301  
Spare Parts

Fax +49 9095 301-494

[originalparts@safholland.de](mailto:originalparts@safholland.de)  
[www.safholland.com](http://www.safholland.com)

