

Product catalogue Original spare parts

I've gone
fully digital!



Back on the road, quickly.
Thanks to the quality of the original.

Failsafe, true to size, and perfectly adjusted to the relevant component or the complete system, so that you can rely 100 % on **SAF-HOLLAND ORIGINAL PARTS** – whatever the application, whatever the circumstances, and all over the world. This means you can be certain of always being able to carry out your transportation orders reliably and highly efficiently, because in addition to their uncompromising quality, **SAF-HOLLAND ORIGINAL PARTS** have the following advantages to offer:

1. WE DELIVER FAST – OFTEN EVEN WITHIN 24 HOURS

Time is money, and machine downtime costs you money, so we maintain a sophisticated logistics system for parts and can thus react quickly if required. You can obtain **SAF-HOLLAND ORIGINAL PARTS** either through our dense global network of more than 9000 competent dealerships and service partners, or directly from one of our own central backup warehouses. So that you can get back on the move again as quickly as possible – often within 24 hours.

2. YOU WILL GET PRACTICALLY EVERYTHING – EX WAREHOUSE

If servicing or repairs are needed, we are at your immediate disposal: Because we have been dealing with the demands of spare part dealers, garages and fleet customers for decades, we are well-placed to be able to cater for them in day-to-day operations. The solid basis for this is the unusually wide and extensive range of **SAF-HOLLAND ORIGINAL PARTS** we offer – and our country organizations throughout Europe always keep stocks of the most important parts. Efficiency from A-Z – on standby ex warehouse.

3. CONTINUOUSLY AVAILABLE – FOR YEARS

Longevity and ease of servicing are just two of the outstanding performance features of our components and systems. They are thus often in use in trucks and trailers for many years without any problems, not least because of the key contribution made by **SAF-HOLLAND ORIGINAL PARTS** towards ensuring their reliability and maintaining their value. This contribution alone is reason enough for us to ensure that you can obtain exactly the part you need at any time – for years.

4. YOU CAN BE CERTAIN THAT YOU ARE GETTING EXACTLY THE PART THAT YOU NEED

It is not only in the development and production of our products that we have always seen ourselves as pioneers. In supplying spare parts, too, we always look for our own, even better solution. Consequently, you will already find a QR-code on many of our components and systems – your electronic key to an immediate overview of all the relevant **SAF-HOLLAND ORIGINAL PARTS**. With it you can unequivocally establish at any time exactly which part you really need. This is not only particularly convenient and practical, but above all 100 % certain.

5. COMPETENCE AND SERVICE – HAND IN HAND

We see ourselves not only as a supplier of highly efficient parts and systems: more than anything else, we are also your guarantee of a continuous and certain supply of spare parts. Accordingly, we are constantly monitoring our standards, and we maintain direct contact with our trade and workshop partners and with our fleet customers. This allows us to put our production quality and the speed and reliability of our logistics to the test again and again, enabling us to improve the **SAF-HOLLAND ORIGINAL PARTS** service systematically – hand in hand with our customers and suppliers.

6. WE ARE THERE FOR YOU – WITH ADVICE AND ASSISTANCE AT THE READY

“The whole is more than the sum of all the parts”, as they say – and that is why for us, supplying spare parts means far more than simply providing them. For us, it also means service and commitment, and we offer practical support as a matter of course – whether it’s a question of giving you personal advice or the practical solution to a problem. Whenever you need **SAF-HOLLAND ORIGINAL PARTS**, we are the crucial “part”, because we will always be there for you – committed, professional and reliable, with advice and assistance at the ready.

**WITH THE QUALITY OF THE ORIGINAL:
SAVE TIME AND MONEY – AND GAIN CERTAINTY FOR
PLANNING AND IMPLEMENTATION!**

<p>FIFTH WHEELS Lightweight Fifth Wheel</p>		<p>from page</p>	<p>28</p>
<p>FIFTH WHEELS Standard Fifth Wheel</p>		<p>from page</p>	<p>36</p>
<p>FIFTH WHEELS Recolube</p>		<p>from page</p>	<p>76</p>
<p>FIFTH WHEELS Dual Height Fifth Wheel</p>		<p>from page</p>	<p>83</p>
<p>FIFTH WHEELS Heavy Duty Fifth Wheel</p>		<p>from page</p>	<p>90</p>
<p>SLIDERS Manual and Pneumatic Model</p>		<p>from page</p>	<p>115</p>
<p>MOUNTING PLATES Pre-Drilled, Un-Drilled, Mounting Kits</p>		<p>from page</p>	<p>143</p>
<p>ACCESSORIES Anti-Theft Lock, Steering Wedge, Hubodometer, SAF-O-Meter, RECOSS®</p>		<p>from page</p>	<p>149</p>
<p>LUBRICANTS LiLube® Plus, LiLube® Expert, Grease Cartridge</p>		<p>from page</p>	<p>159</p>
<p>KINGPINS 2" and 3½" Models</p>		<p>from page</p>	<p>165</p>
<p>BALL RACES / BALL BEARINGS Single Row and Double Row</p>		<p>from page</p>	<p>191</p>
<p>LANDING LEGS HERCULES, Drop Leg</p>		<p>from page</p>	<p>201</p>
<p>TRILEX® WHEEL SYSTEM Wheelspider, Rims, Spacing Rings, Clamps and Bolts</p>		<p>from page</p>	<p>213</p>

Peace of mind that only the best quality can provide.

Our quality promise

SAF-HOLLAND original parts offer high quality, longevity and reliability. They are fail-safe and precisely tailored to their specific application in components or complete systems.

Original parts by SAF-HOLLAND are 100% reliable: for any application, under any circumstances, anywhere in the world.

So that you can handle your transportation tasks reliably and efficiently.

Manuel Balles
Vice President Aftermarket



Tested and certified. Proven in the laboratory and on the road.

Thanks to strict quality and certification criteria that are also binding for our suppliers, SAF-HOLLAND original parts meet the most demanding requirements in terms of Quality, safety and reliability.

All spare parts undergo a stringent testing regime and have to prove optimal performance under lab conditions as well as on the road.

With the guaranteed quality of SAF-HOLLAND you are safe on the road – and free to concentrate fully on your core business.

**SAF-HOLLAND original parts:
Efficiency rules the road.**

*»We are committed to 100% quality
and reliability – with our parts
as well as our service.«*





Top availability. Top service.

Our extensive inventory and global service and dealership network ensure that the right parts are available whenever you need them.

10.000

service stations and
dealerships carrying
original parts
worldwide



You are looking for spare parts? We are happy to help – over the phone or directly in the field via our spare parts dealers. Our friendly and competent service staff is looking forward to your enquiry.

**Original parts and service by
SAF-HOLLAND: a perfect fit.**



FIFTH WHEEL SECTION GUIDE



6 t

- Light distribution traffic
- Mid-sized carrier class
- Recreational vehicles up to 7.5 t



14/15 t

- Flexible distribution traffic
- Volume carrier
- Two-axle tractor



20 t

- Standard long-distance haulage
- Silo/tank/volume transport
- Two- and three-axle tractors



36 t

- HGV traffic
- Traffic in difficult terrain

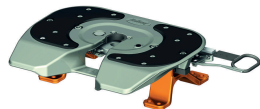
GC 6



Imposed load:	6000 kg
D-value:	49 kN
Overall height:	120 mm

Page 28

FW3214-W



Imposed load:	14000 kg
D-value:	104 kN
Overall heights:	165, 190, 225 mm

Page 32

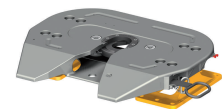
SK-S 36.20



Imposed load:	20000 kg
D-value:	152 kN
Overall heights:	128, 150, 185, 225, 250 mm

Page 36

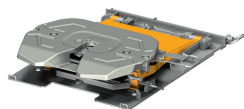
SK-HD 38.36



Lock size:	2"/3.5"
Imposed load:	23000 kg (2")
Load:	36000 kg (3.5")
D-value:	162/260 kN
Overall heights:	150, 190 mm

Page 90

SK-S 36.20 H



Imposed load:	15000 kg
D-value:	110 kN
Overall heights:	167 mm
Lift heights:	100, 150, 200 mm

Page 83

SK-S 36.20 W / SK-S 36.20 NoLube



Imposed load:	20000 kg
D-value:	152 kN
Overall heights:	128, 150, 185, 225, 250 mm

Page 42

SK-HD 38.36 G

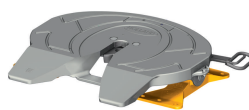


Fifth wheel for off-road use with gimbal mounting

Lock size:	2"/3.5"
Imposed load:	23000 kg (2")
Load:	36000 kg (3.5")
D-value:	162/260 kN
Overall heights:	290 mm

Page 94

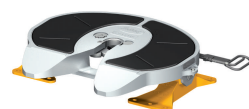
FW3510



Imposed load:	23000 kg
D-value:	175 kN
Overall heights:	150, 180, 200 mm

Page 68

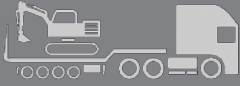
FWAL-E



Imposed load:	20000 kg
D-value:	150 kN
Overall heights:	167, 197, 219 mm

Page 73

FIFTH WHEEL SECTION GUIDE



45 – 75 t

- Extremely heavy goods transports and special transports



TERMINAL

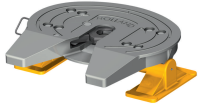
- For transport with terminal tractor units



HARBOUR

- Special model for harbor applications

FW0100



Imposed load: 45000 kg
 D-value: 165/170 kN (2")
 240 kN (3.5")
 Overall heights: 230, 270 mm

Page 98

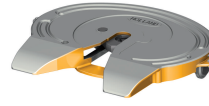
FW3510-TR



Imposed load: 36000 kg
 23000 kg*
 D-value: 175 kN
 * (when used in highway traffic)

Page 106

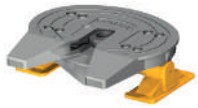
FW0E70-T



Imposed load: 45000 kg
 D-value: 165 kN (2")
 250 kN (3.5")

Page 110

FW0165



Imposed load: 74000 kg
 D-value: 165/170 kN (2")
 240 kN (3.5")
 Overall heights: 230, 270 mm

Page 102

Kingpin



D-value 2"	50S15	165 kN
D-value 2"	50S18	165 kN
D-value 3.5"	90S15	165 kN
D-value 3.5"	90S18	320 kN

Page 165

Technical Data
 The load data specified only applies to operation on paved roads and to transport conditions usual in Central Europe. Please contact us regarding operating conditions which deviate from these. We reserve the right to modify dimensions or design if required. No responsibility is taken for the correctness of the details provided, these are solely intended for technical information.

ORDER INFORMATION FOR PRODUCTS AND SPARE PARTS

GENERAL REMARKS

As per the following catalogue you will find the types of fifth wheels available:

1. Choose the type of fifth wheel to fit your requirements and conditions of use.
2. Depending on the model various versions and additional options are available. They can be combined.
3. The required overall height is defined by the height of the mounting brackets and the mounting plates.
4. The fifth wheel can be mounted with a mounting plate on the vehicle frame. Undrilled or already to OEM specific wish predrilled mounting plates are available. Please indicate the type of vehicle when ordering.
5. Alternative solutions are either the weight saving direct mounting or the flexible assembly on a slider.
6. Pre-assembled mounting kits contain all necessary mounting accessories.

Please take note of the ordering information on the product and spare part pages.

ASSEMBLY AND MOUNTING

When mounting the fifth wheels the SAF-HOLLAND instructions, the assembly instructions of the vehicle manufacturers as well as the respective valid legal regulations are to be followed.

- Please take note of the required locking torque for bolts.
- Self-locking micro-encapsulated bolts are to be exchanged after use.

OPERATING AND MAINTENANC

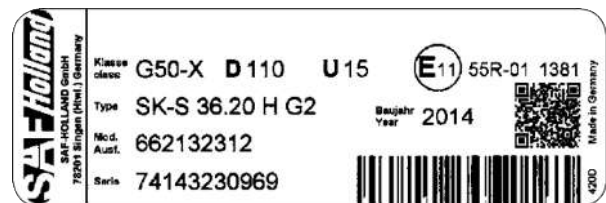
The correct operating, maintenance and care prolong the life span of the fifth wheel significantly. Please take note of the operating and maintenance information in your operating manual. Mounting, operating and maintenance instructions are available in PDF format on our homepage www.safholland.com.

SPARE PARTS IN ORIGINAL QUALITY

Products from HOLLAND and SAF stand out due to their high maintainability. The few moving wearing parts can easily and quickly be exchanged. We recommend the use of original SAF-HOLLAND spare parts which are available in pre-assembled repair kits for wear ring, locking mechanism and bearings. The suitable spare parts for your model are to be found directly after the product page. The spare parts for the phased out range is in a separate chapter. The exploded drawing will help you to locate quickly the part to be exchanged. In the column Disp. indicates the shopping cart icon whether this part can be ordered separately. Repair kits for the standard version SK-S 36.20 are compatible to the versions direct mounting D and mounting angles V as well as the phased out models SK-S 36.20. Repair kits for low maintenance models are also compatible to each other.

TYPE PLATE

Please always indicate the serial number of your fifth wheel when placing your spare part order, it is located on the manufacturer's plate and laterally engraved at the platemark.



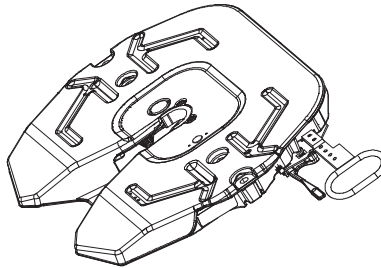
ENQUIRIES AND ORDERS

SAF-HOLLAND with its worldwide distribution network will supply you reliably and quickly with products and spare parts. Please contact your nearest SAF-HOLLAND retailer for commercial vehicles, representatives or subsidiary. A list of our international representatives and foreign distributors can be found under: www.safholland.com.

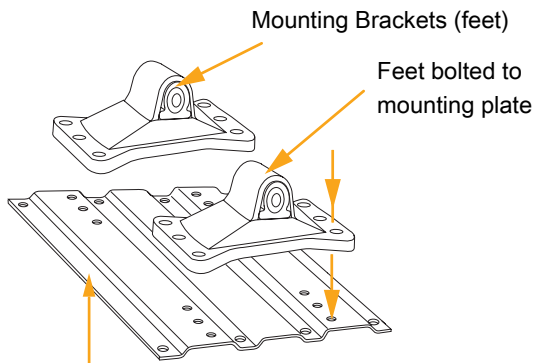
FIXED FIFTH WHEELS AND MOUNTING

Top Plate Assembly

SK-S 36.20
SK-HD 38.36
etc.

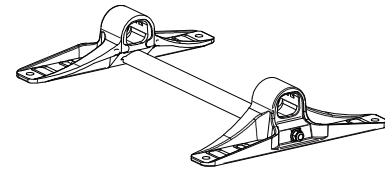


Conventional ISO Mounting



Separate Mounting Plate European style "ripple" plate shown

Alternative ISO Direct Mounting

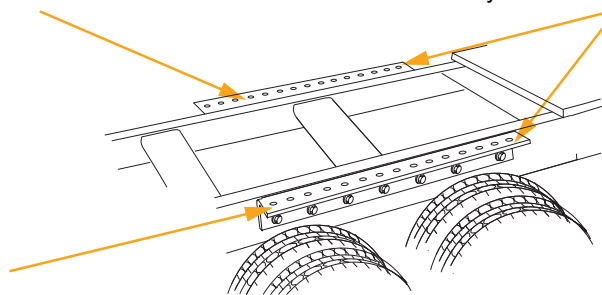


Bracket is bolted directly to L-profile eliminating mounting plate

Truck Chassis

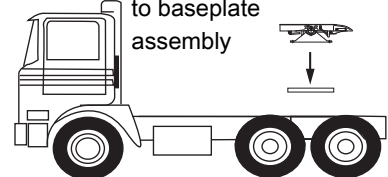
Mounting plate sits directly onto flitch plates and is bolted to them

Standard "L" profile mounting angles (flitch plates) normally fitted on the truck by the truck manufacturer



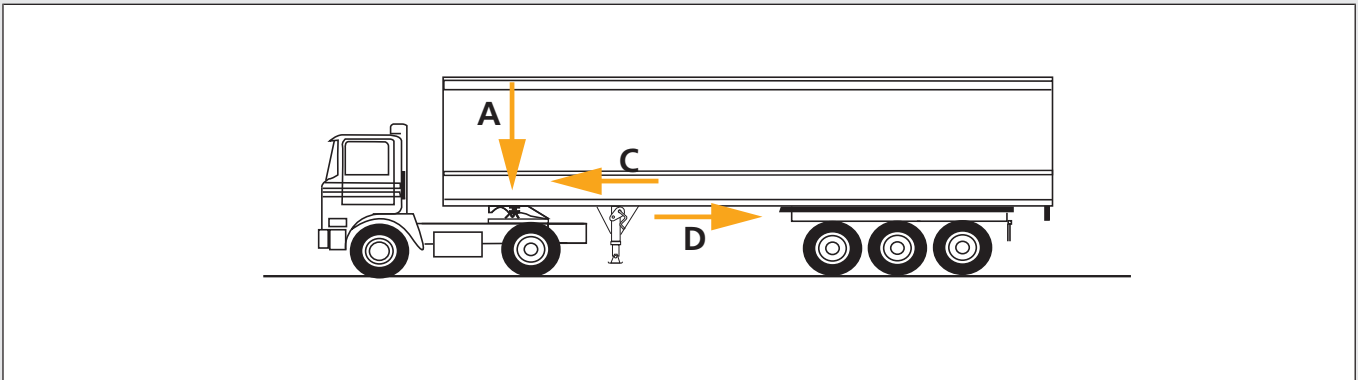
It is common for the holes used for attachment of the baseplate to be pre-drilled in the mounting angles by the truck manufacturer but hole sizes and pitch centres vary with different manufacturers

Fifth wheel bolted to baseplate assembly



WHAT DOES IT DO?

In conjunction with the kingpin fitted to the trailer its main function is to connect the truck (tractor unit) with the semi-trailer.

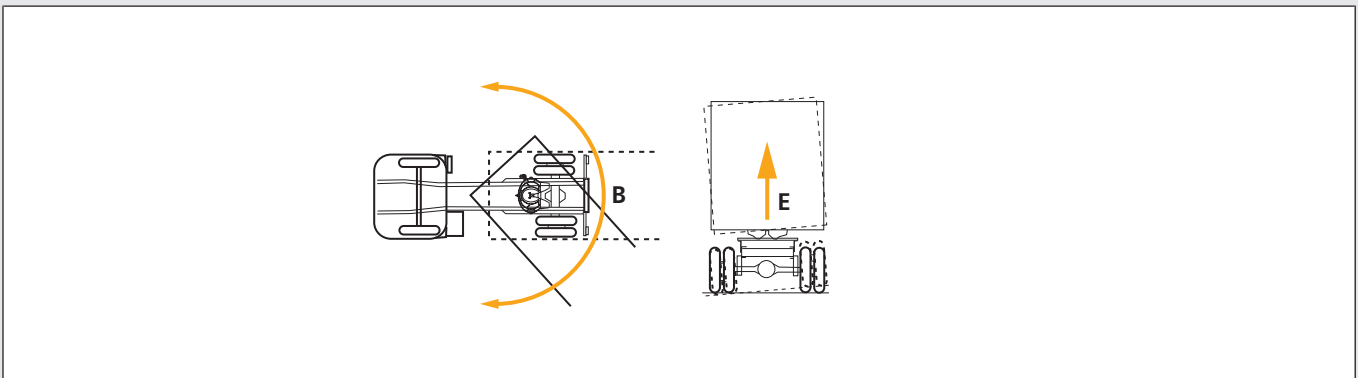


In doing so it must:

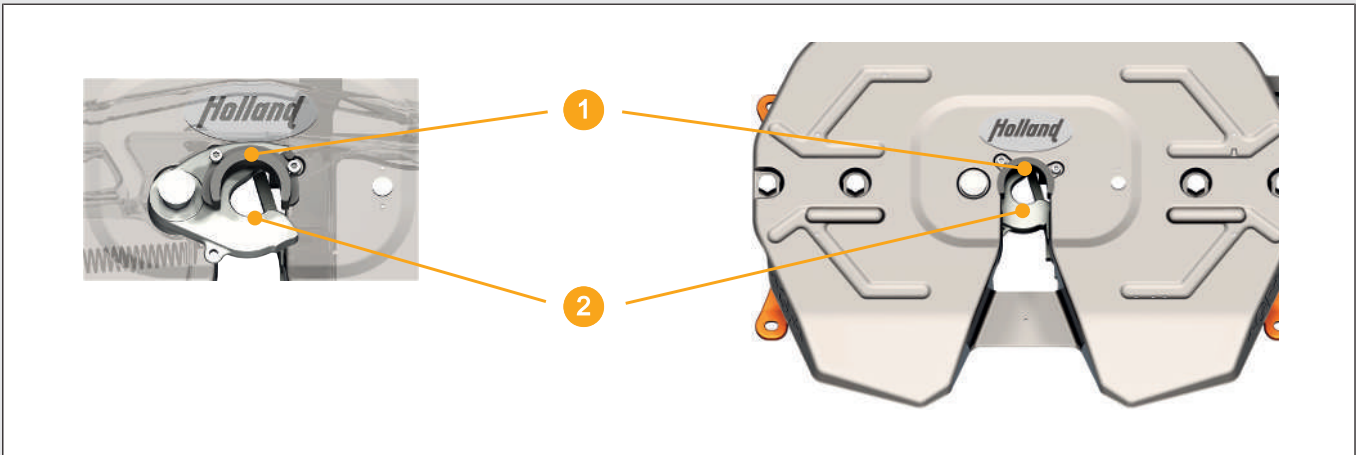
- Support the weight of the trailer imposed on it (A)
- Allow the trailer to articulate (trailer pivots relative to tractor on inclines)

Resist the forces of:

- the trailer pushing forward e.g. under braking (C)
- the trailer "pulling back" on it e.g. starting off / accelerating (D)
- the trailer trying to lift off e.g. when cornering due to roll (E)

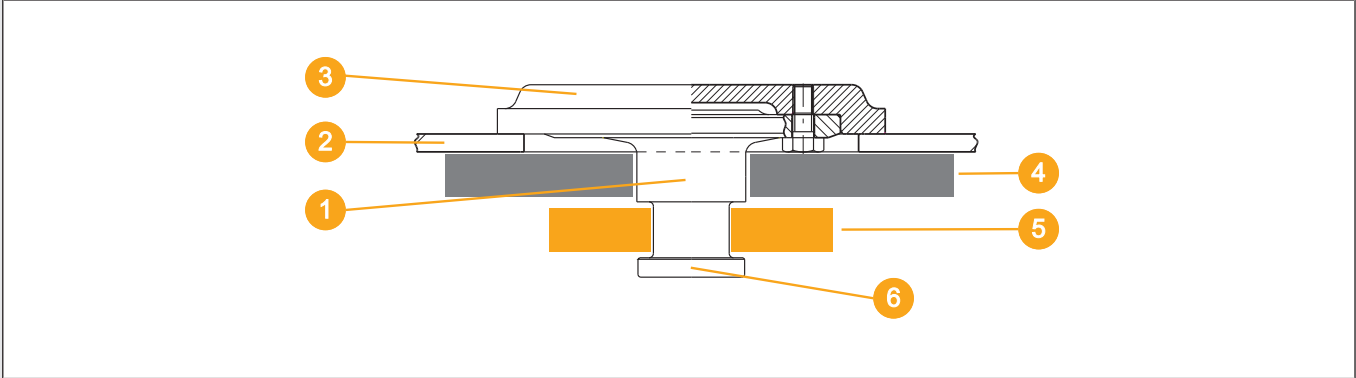


Large flat surface spreads load, supports weight and allows rotation of trailer through contact with trailer skidplate (A) and (B)



1	Wear Ring Contact Area Resists "Push" (C)
2	Coupler Jaw Contact Area Resists "Pull" (D)

To allow free and easy rotation and reduce wear, lubrication is required on the top surface. This is normally grease, note the grease grooves in the top plate to help to retain and distribute the grease.



1	Kingpin	4	Fifth Wheel Top Plate
2	Kingpin Mounting Plate	5	Fifth Wheel Locks Around Kingpin
3	Trailer Skidplate	6	Flange On Kingpin Resists "Lift" (E)

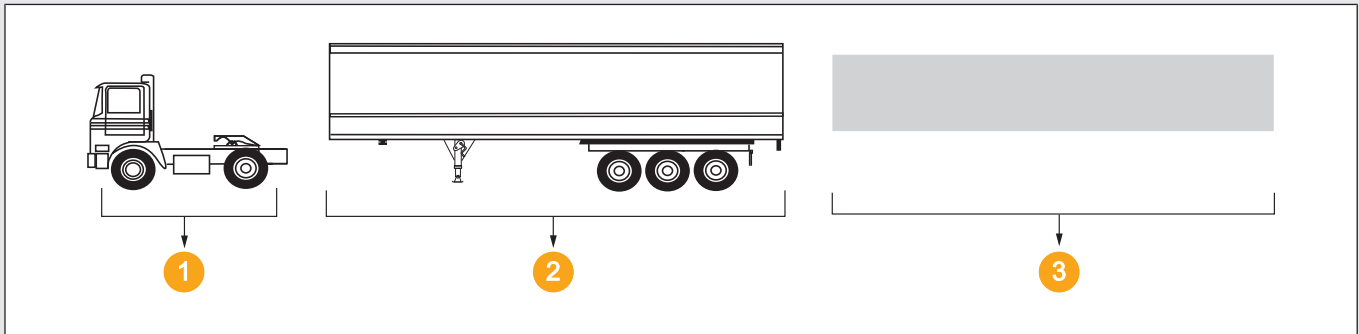
FIFTH WHEEL RATINGS AND CAPACITIES

All Fifth Wheel couplings will have ratings and capacities which are normally given as:

Vertical (or Imposed) Load acting directly on the fifth wheel through the trailer skidplate. There is no vertical load applied through the kingpin.

D-value which is defined as the theoretical reference force for the horizontal force between the towing vehicle and trailer.

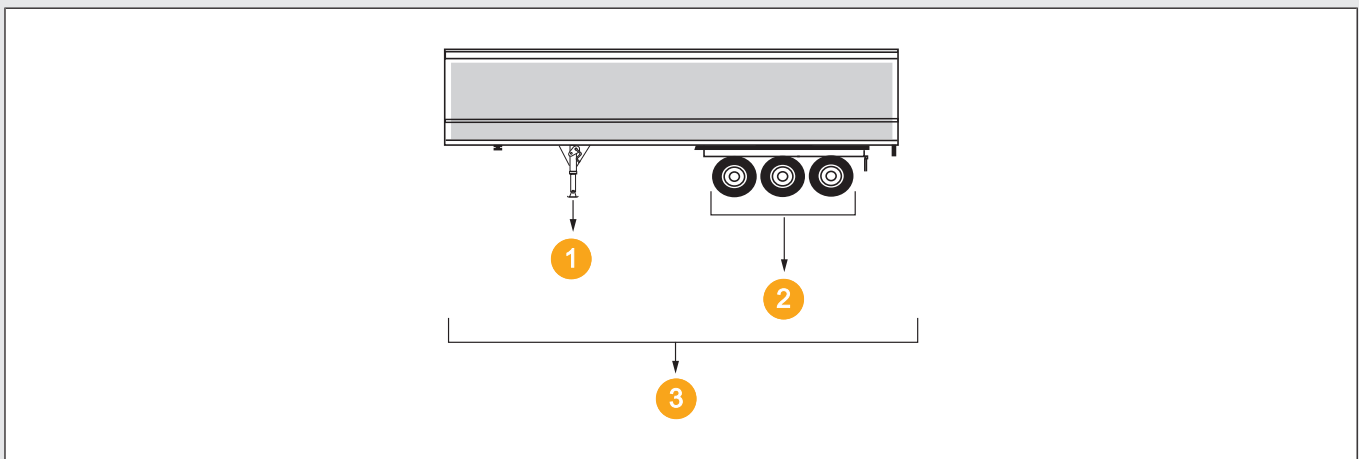
Gross Combination Weight (GCW) is the total weight of the tractor unit, trailer and load added together – used only in certain countries as reference. The longitudinal force exerted between the fifth wheel locks and the kingpin. For this reason kingpins also have a D-value rating.



1	Weight of tractor 7 tonnes
2	Trailer Weight 7 tonnes
3	Weight of Load 24 tonnes

With the trailer loaded and supported on its landing legs the load (weight) is distributed between the axle-bogie and the landing legs.

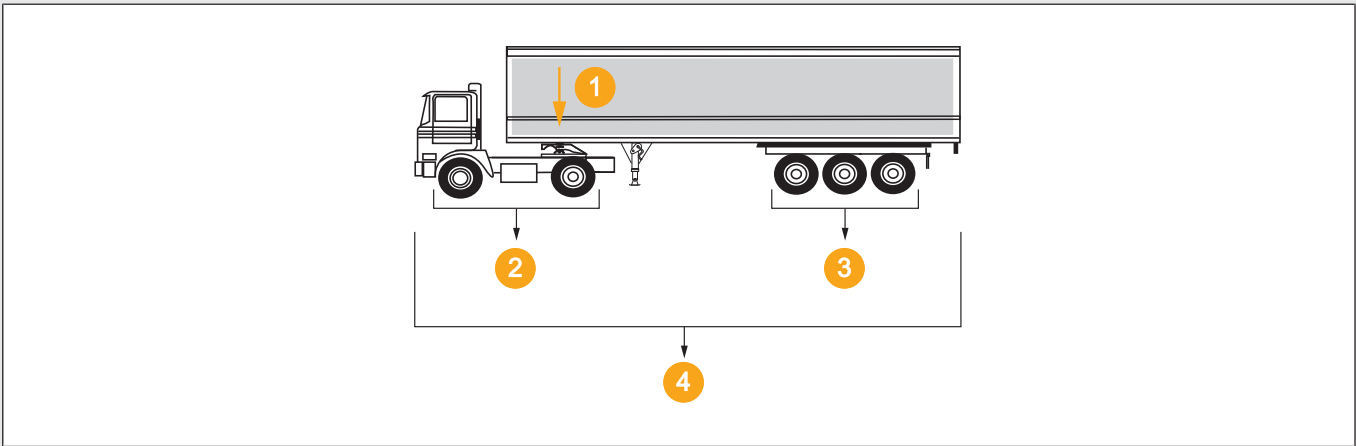
When the trailer is coupled to the tractor unit the load (weight) is distributed between the axles and the fifth wheel.



1	Landing Legs 15 tonnes
2	Axle-Bogie 16 tonnes
3	Total Weight of Trailer and Load 31 tonnes

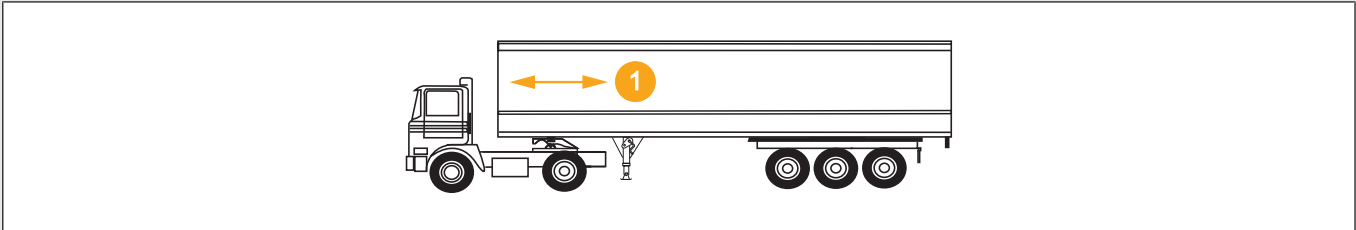
The weight distribution is different because of the relative positions of the landing legs and kingpin.

* The tractor unit weight now includes the 9 tonnes vertical load.



1	Vertical Load 9 tonnes	3	Bogie 22 tonnes
2	Tractor* 16 tonnes	4	Gross Combination Weight 38 tonnes

D-value – a calculation of the forces between the fifth wheel and kingpin when pulling the trailer which are higher during acceleration and braking.



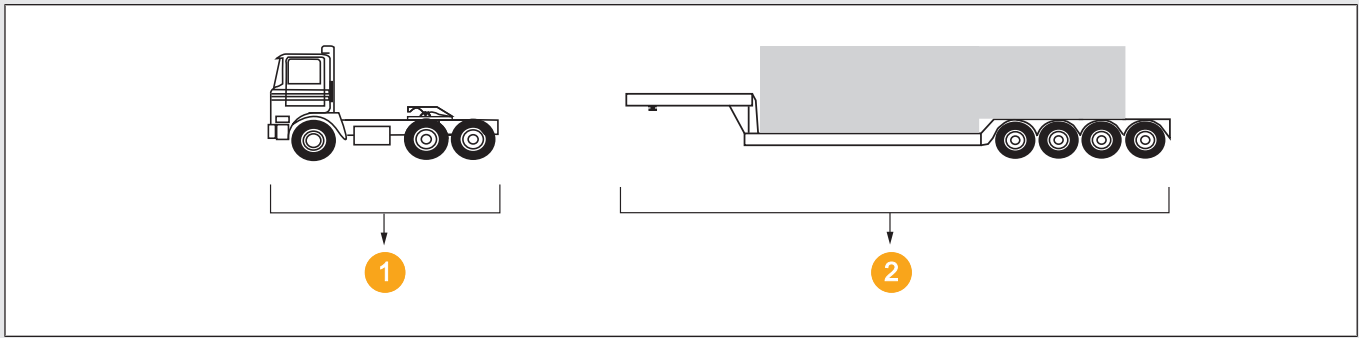
1	D-value		
---	---------	--	--

To be correct for the application a fifth wheel must have the appropriate Vertical Load and D-value.

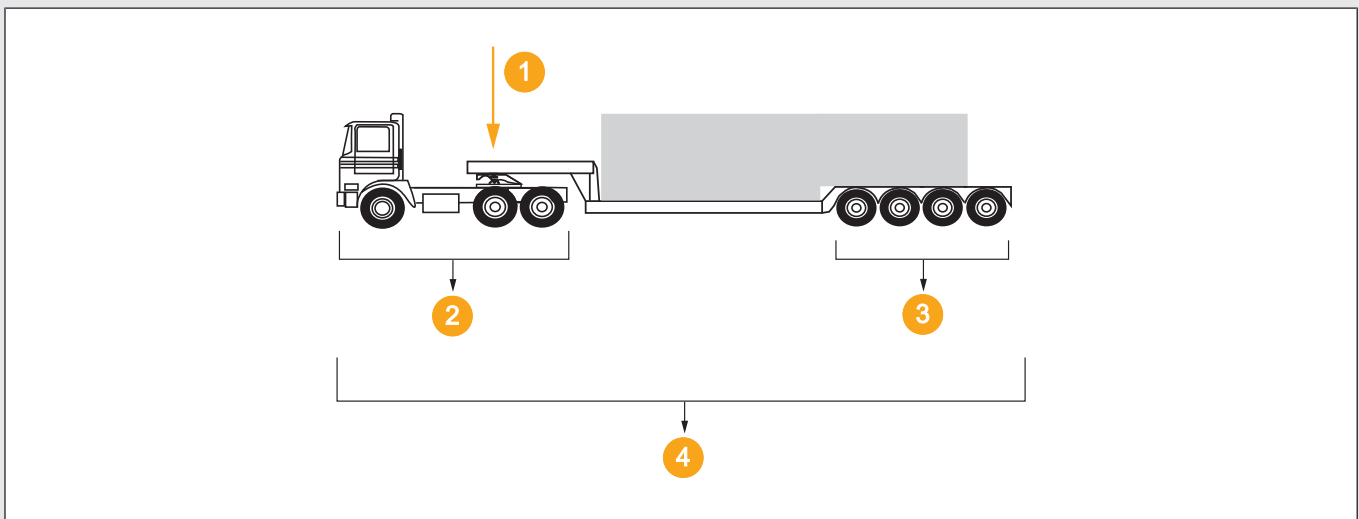
Vertical Load imposed by fully loaded trailer must be at or below fifth wheel rating. D-value of fully laden combination must be at or below fifth wheel rating.

It is not possible to balance one figure against another.

WEIGHT DISTRIBUTION FOR A TYPICAL HEAVY DUTY COMBINATION



1	Weight of Tractor 9 tonnes
2	Total Weight of Trailer and Load 71 tonnes



1	Vertical Load 21 tonnes	3	Weight on Bogie 50 tonnes
2	Weight of tractor* 30 tonnes	4	Gross Combination Weight 80 tonnes

* The tractor unit weight now includes the 21 tonnes vertical load

NOTES SPECIFIC TO HEAVY DUTY FIFTH WHEELS:

80 tonnes GCW is the maximum GCW at which a 2" kingpin should be used, generally the D-value limitation will take care of this (see above example). However, we should always work to this limitation – **max. GCW on a 2" kingpin is 80 tonnes** – even if the D-value calculation would allow a higher GCW.

D-VALUE CALCULATION

GENERAL INFORMATION

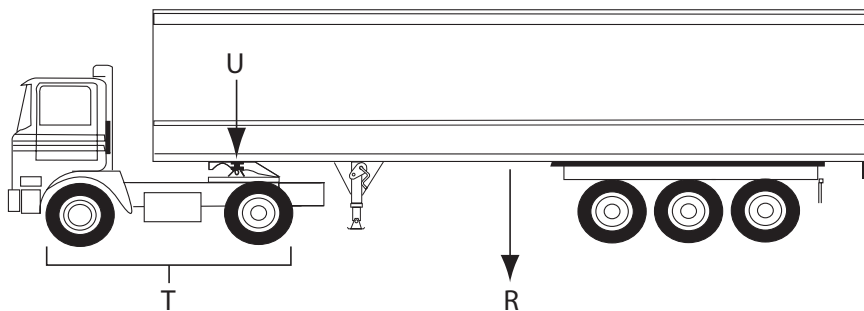
All fifth wheels and kingpins, tested and approved under 94/20/EG and ECE-R55 regulations are given a D-value rating as an indication of the maximum horizontal force permitted between the towing vehicle and trailer.

In order to confirm the suitability of a particular fifth wheel or kingpin for a given tractor/trailer combination it is necessary to carry out a D-value calculation.

FORMULA

The D-value formula for a tractor and semi-trailer combination is as follows:

$$D = g \times \frac{0,6 \times T \times R}{T + R - U} \text{ (kN)}$$



U	Vertical load on the fifth wheel	T	Weight of towing vehicle including the vertical load on the fifth wheel
R	Total weight of the loaded semi-trailer	g	Acceleration due to gravity (assumed to be 9.81 m/s ²)

DEFINITION

The "D-value" is defined as the theoretical reference force for the horizontal force between towing vehicle and trailer.

The D-value is taken as the basis for horizontal loads in the dynamic tests for all automatic coupling devices between a towing vehicle and trailer.

EXAMPLE CALCULATION

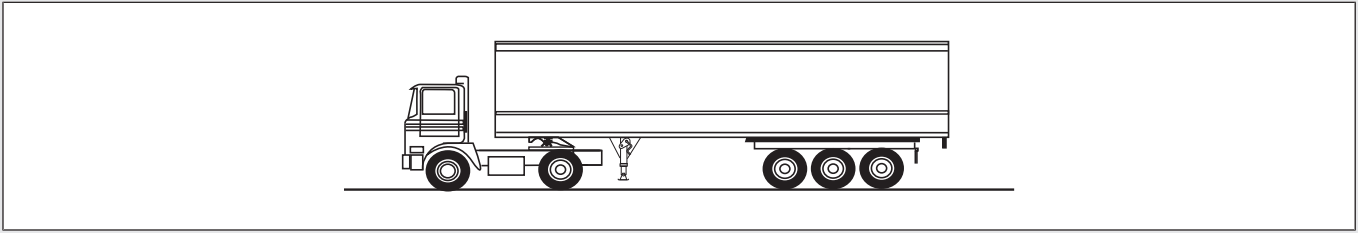
T = 17 (Tractor weight 7 t plus vertical load 10 t), g = 9.81

$$D = 9.81 \times \frac{0.6 \times 17 \times 33}{17 + 33 - 10} \text{ (kN)}$$

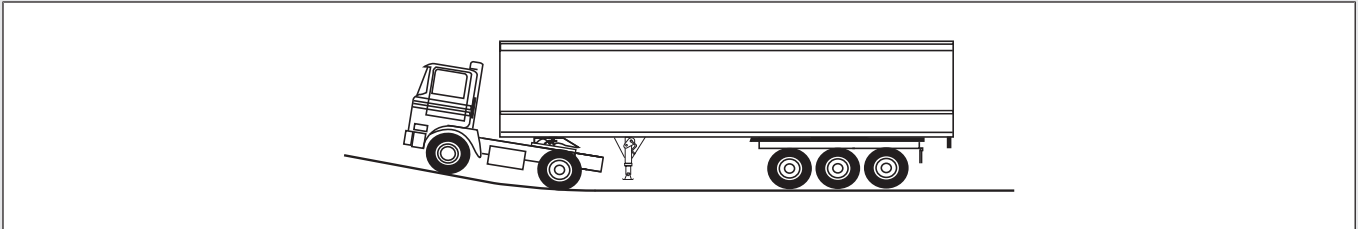
R = 33 (10 t imposed on fifth wheel and 23 t on rear bogie), U = 10

THE EFFECT OF GRADIENTS

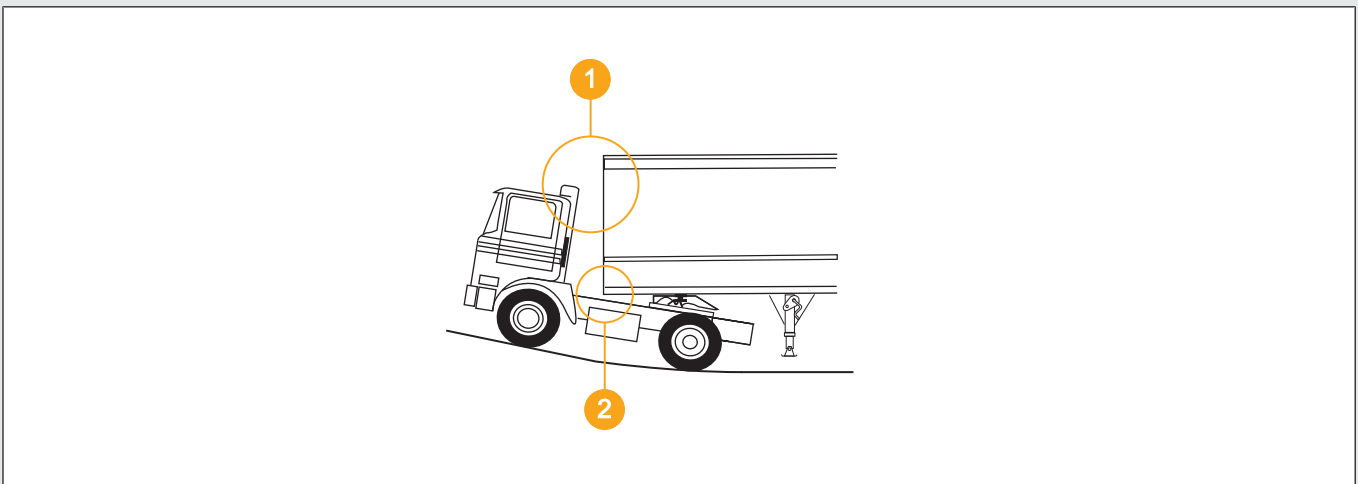
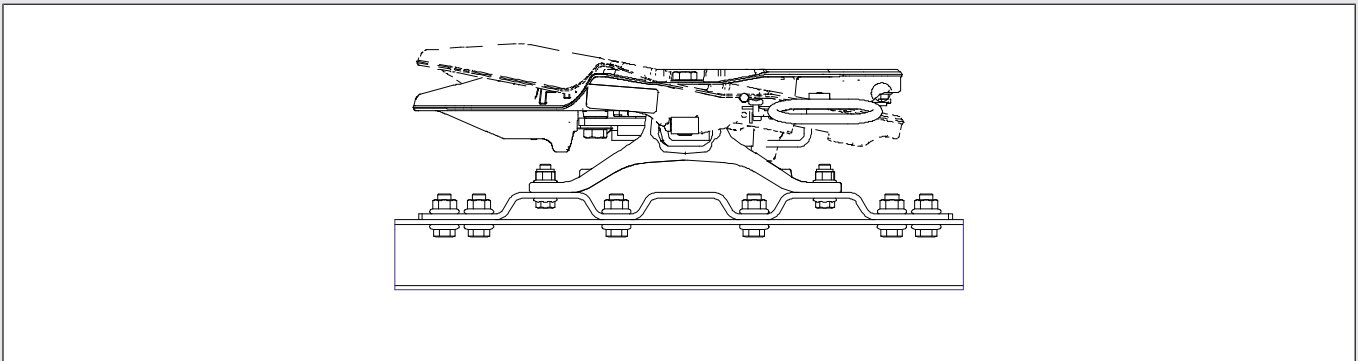
On a level road



Starting to go uphill



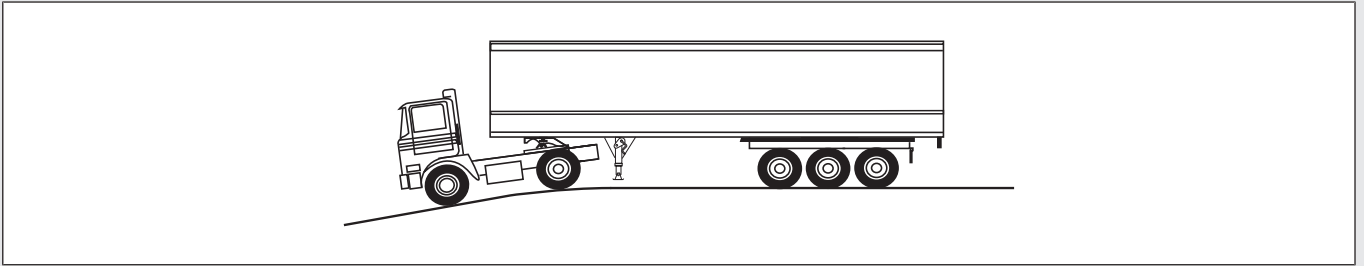
Fifth wheel articulates (or oscillates) forward.



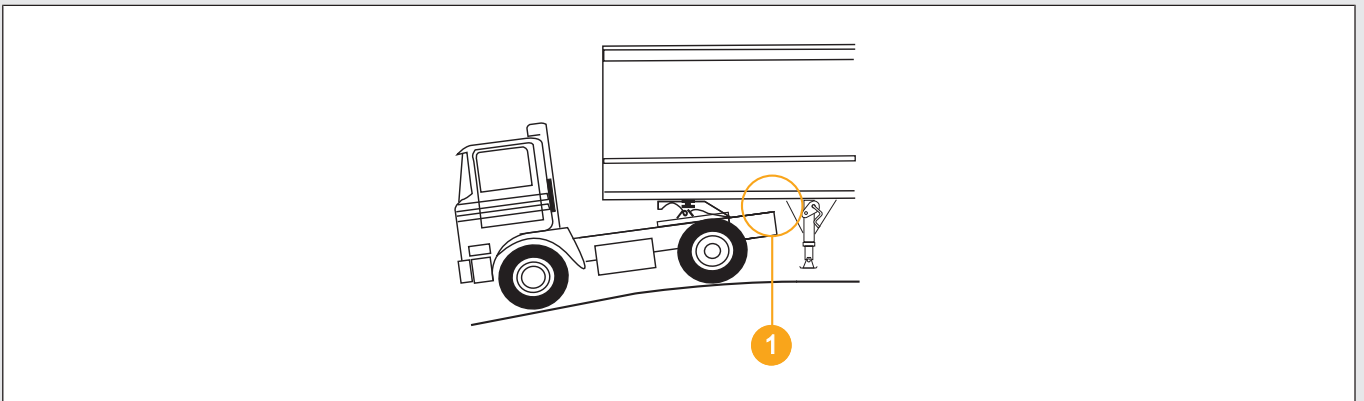
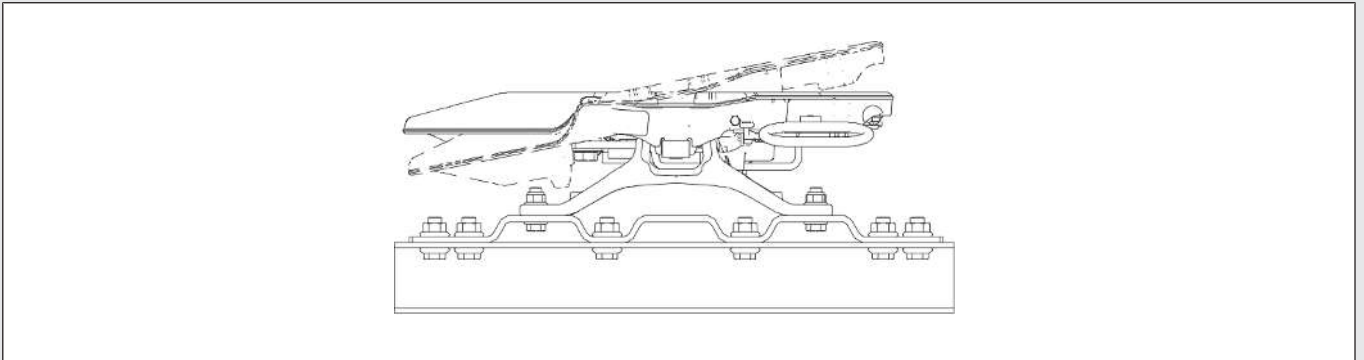
1	Reduced clearance between Tractor Cab and Trailer
2	Reduced clearance between top of Chassis and Trailer

There must be a minimum of 6° free articulation when the tractor and trailer are coupled.

Downhill



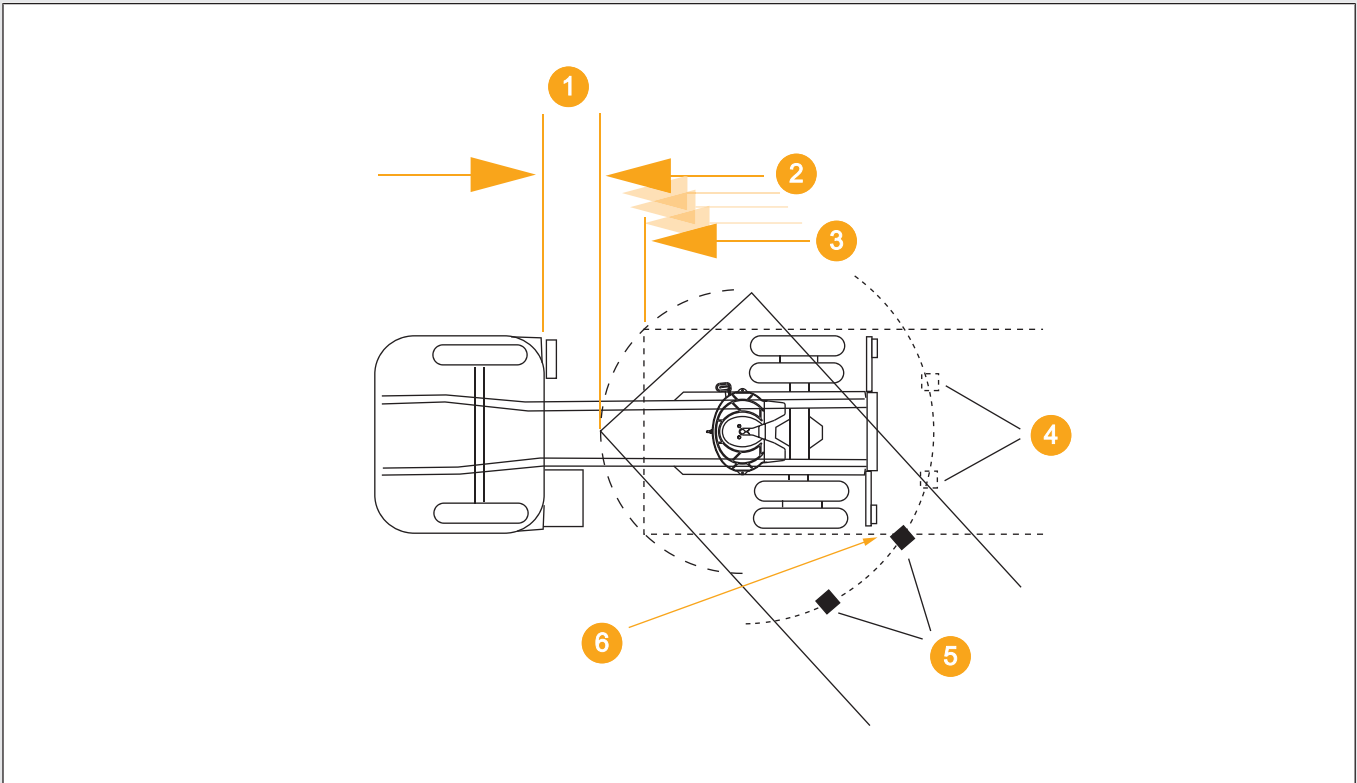
Fifth wheel articulates (or oscillates) to the rear.



1	Reduced clearance between rear of Chassis and Trailer
---	---

There must be a minimum of 7° free articulation when the tractor and trailer are coupled.

EFFECTS OF TURNING

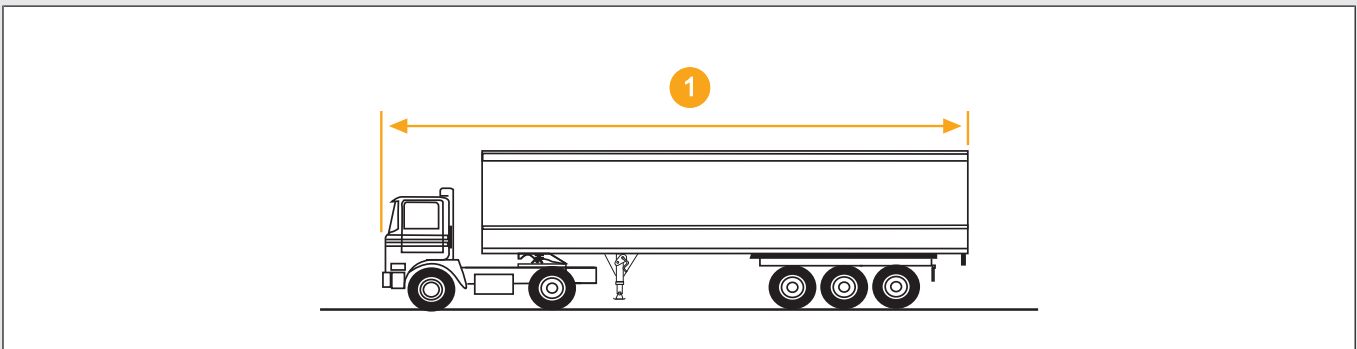


1	Cab clearance	4	Landing Gear by travelling in line
2	Cornering	5	Landing Gear during cornering
3	Travelling in line	6	Reduced clearance at rear of chassis during cornering

Clearance at rear of chassis also reduced during cornering

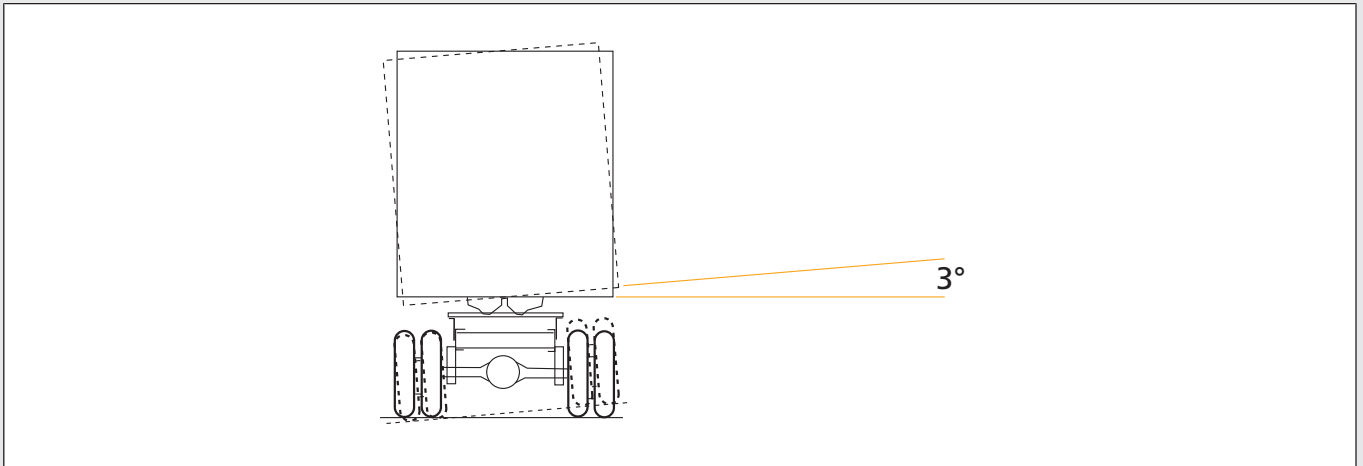
Imagine then the effect of turning and beginning to climb a hill at the same time – the combined effect of turning and climbing will reduce cab clearance even more.

Fifth wheel position is therefore critical for several reasons including the overall length of the combination which is limited by legislation



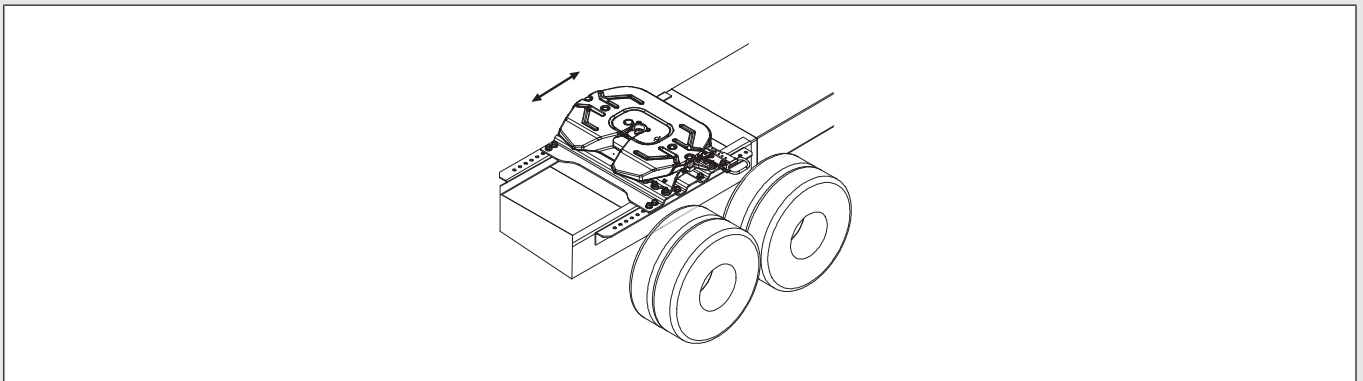
1	Overall length
---	----------------

ROLL BETWEEN THE TRACTOR AND TRAILER



Rotation about the longitudinal axis of up to 3° of movement between the tractor and trailer is permitted. On a standard fifth wheel this occurs as a result of clearance in the fifth wheel to bracket fit, compression of the rubber bushes and also vertical movement between the kingpin and locks may allow some lift of the trailer one side.

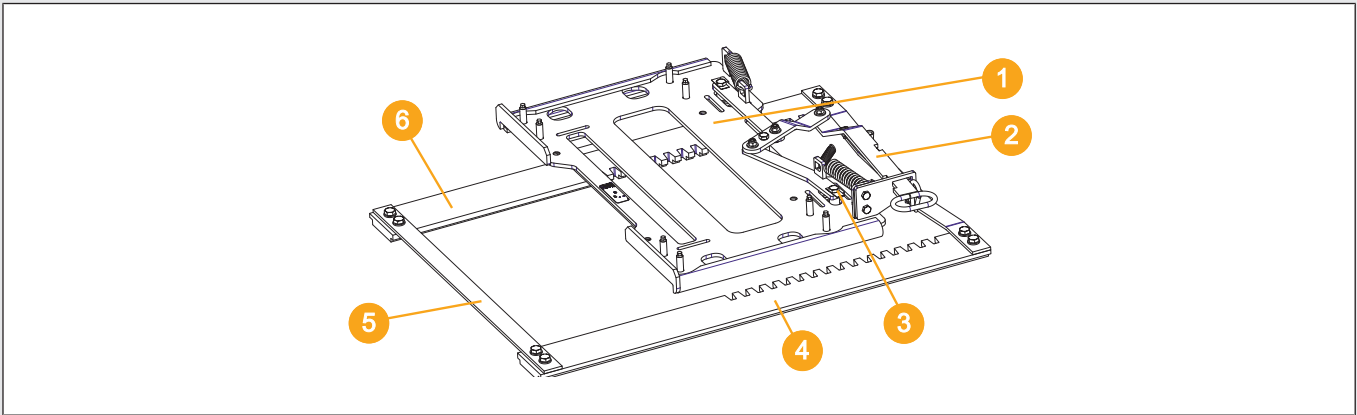
SLIDING FIFTH WHEELS AND MOUNTING



The fifth wheel can be moved forwards or backwards to accommodate different trailer lengths and/or alter weight distribution on the tractor unit.

SLIDING FIFTH WHEELS – MOUNTING STYLES

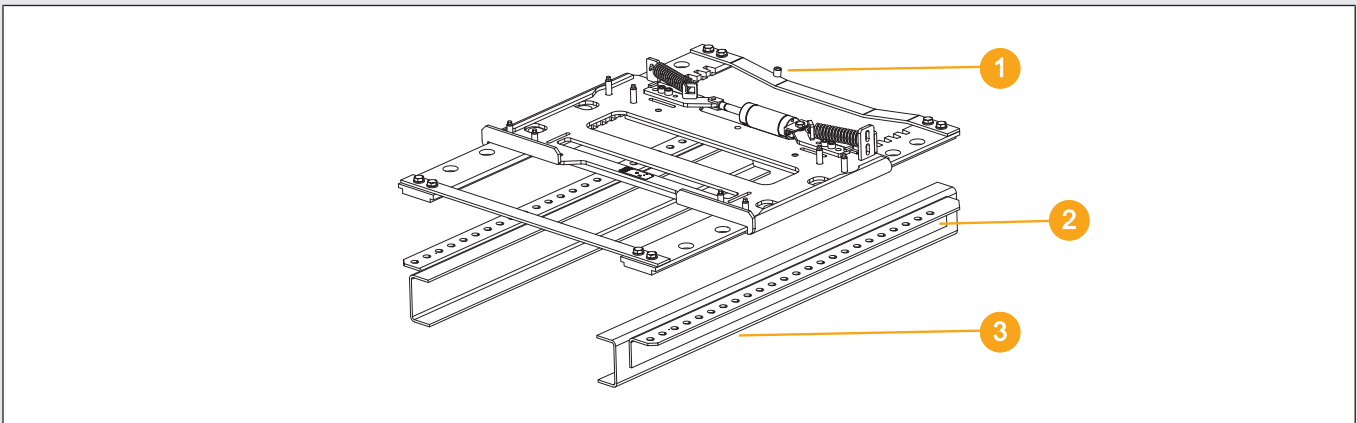
SLIDER SK-V 20



1	Carriage	4	Rack
2	Cross member	5	Base Frame with racks and levers
3	Locking Plunger	6	Rack

The fifth wheel SK-S 36.20 cpl. is mounted on a carriage which can be moved forward and backward along a base frame. The carriage is locked in position by plungers which lock into of the racks of the base frame.

SLIDER MOUNTED TO CHASSIS ANGLES



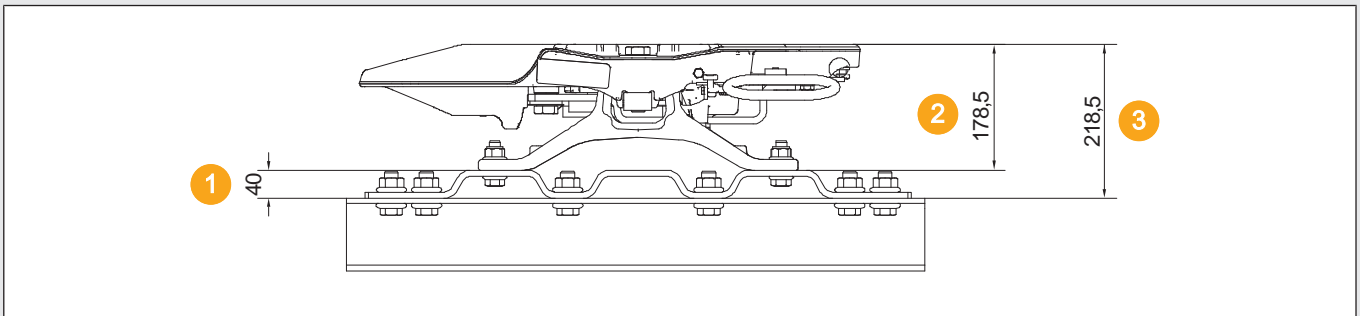
1	Sliders
2	Chassis Angles
3	Truck Chassis

Our standard slider for normal roadgoing operations, rated up to 44 tonnes GCW and 18 tonnes vertical load.

The base frame racks are predrilled with holes so that the slider can be bolted directly to the manufacturers mounting angles without the need for a separate subframe.

FIXED FIFTH WHEELS – HEIGHT

CONVENTIONAL ISO MOUNTING

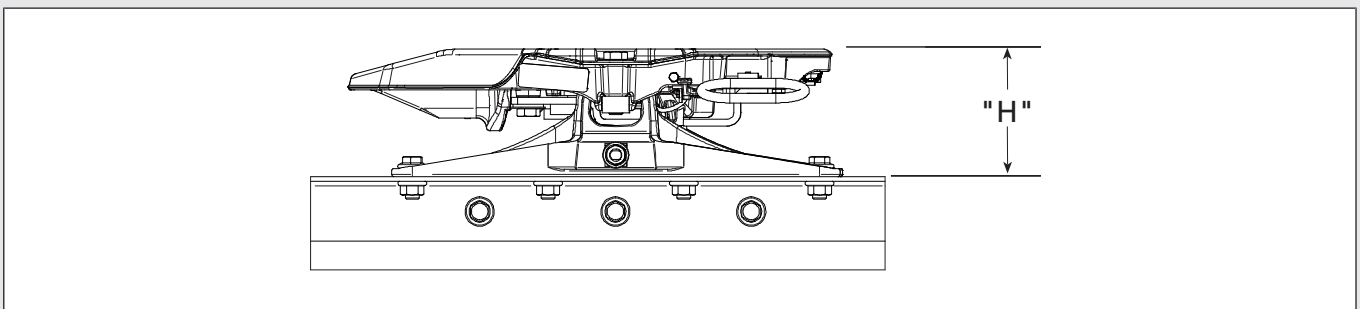


1	Height of Baseplate
2	"H"
3	Installation Height

The fifth wheel height is from the bottom of the mounting bracket to the top surface of the fifth wheel. It does not include the height of the baseplate which needs to be added to the fifth wheel height "H" to give the installation height.

The baseplate/mounting plate height will vary according to the type of mounting. The lowest will be a simple flat plate (usually 12 mm min.) a european style ripple plate is normally 22 mm or 40 mm.

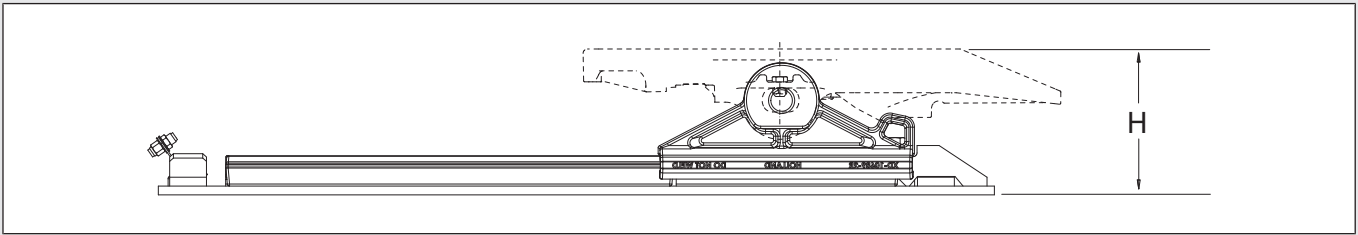
DIRECT MOUNTING



1	"H"		
---	-----	--	--

As there is no separate baseplate with a direct-mount installation the fifth wheel height "H" is also the installation height.

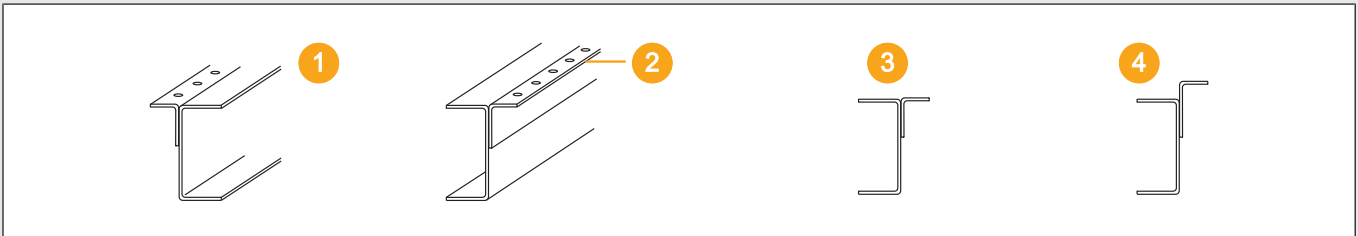
SLIDING FIFTH WHEELS – HEIGHT



H	Installation height
---	---------------------

For the standard ILS slider the slider height “H” is also the installation height.

MOUNTING ANGLES / FLITCH PLATES

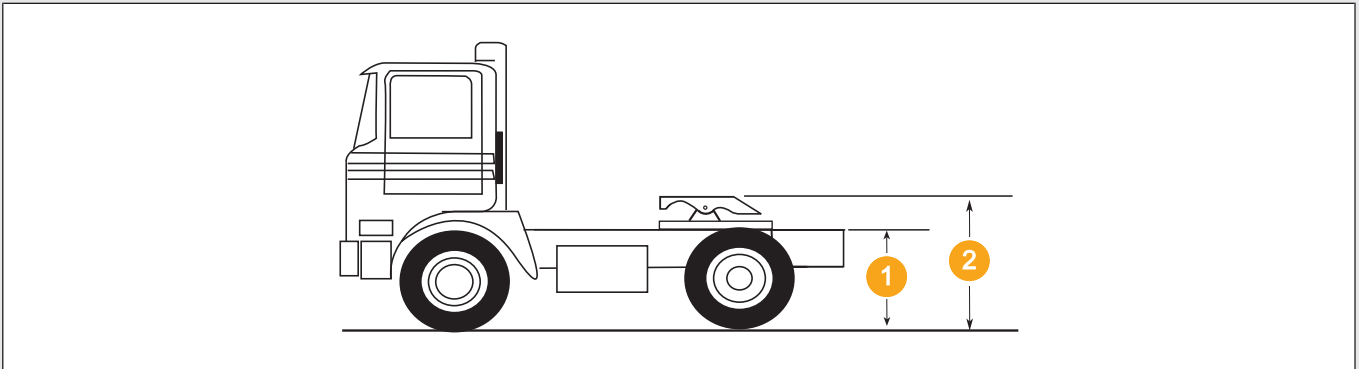


1	Truck Chassis Frame	3	Flush Mounting Angle
2	Mounting Angle	4	Raised Mounting Angle

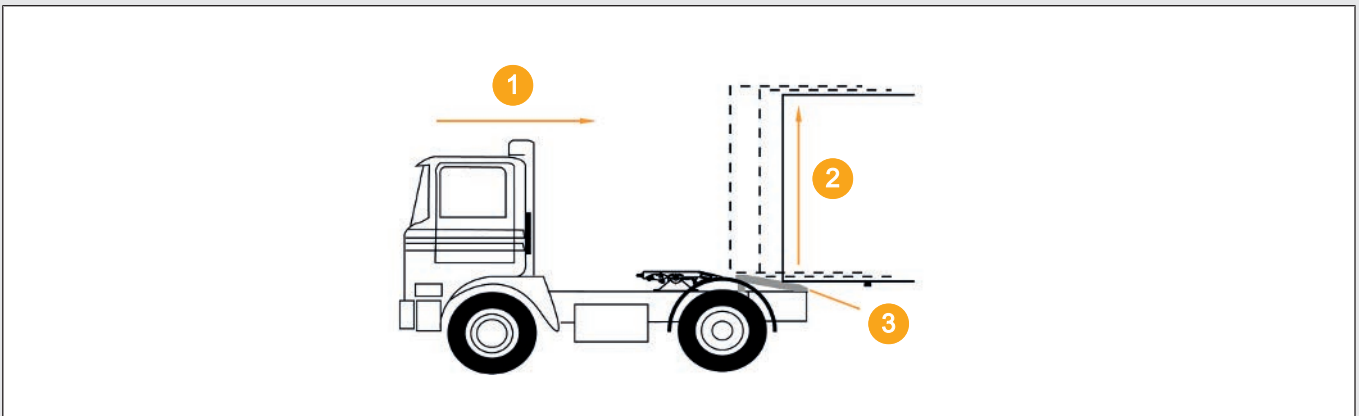
On most vehicles mounting angles are referred to as being “flush” although they are not actually flush with the top of the chassis but actually 3 or 4 mm above the chassis. Some vehicles, usually for heavy duty application, have a mounting angle which is raised by up to 60 mm. Installation height is actually from the top of the mounting angle to the top of the fifth wheel as the baseplate or slider normally sits on top of the mounting angle.

“FIFTH WHEEL HEIGHT” AND LEAD ON RAMPS

Some customers will ask for a fifth wheel to give a “fifth wheel height” of (for example) 1250 mm. They are talking about the height of the fifth wheel from the ground when installed on the truck. The fifth wheel height will be the chassis height “CH” plus the installation height e. g. a SK-S 36.20 D installed on a tractor with a chassis height of 1060 mm will give the 1250 mm fifth wheel height.



1	“CH”
2	“FW”



1	Tractor reverses into Trailer
2	Trailer lifts to correct coupling height as it rides up the ramps
3	Lead on ramps

WARNING:

Chassis height (and fifth wheel height) can be given as laden or unladen always insist on working to the unladen figures.

Lead on Ramps are required by certain (UK) customers. If the trailer is too low during coupling it may hit the rear wings or other components causing damage to the vehicle. With ramps fitted the trailer will ride up the ramps avoiding damage to the wings etc.

NOTE:

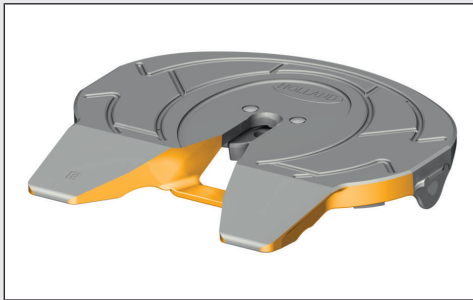
The height of the ramps is critical, it must be high enough to protect the wings but low enough to allow the correct angle of articulation without the underside of the trailer skidplate hitting the top of the ramps. Sometimes this can be a compromise and where the fifth wheel installation height is low it may not be possible and/or practical to fit ramps.

DEVELOPMENTS IN FIFTH WHEEL TECHNOLOGY



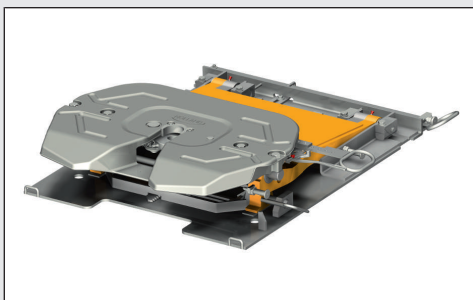
NOLUBE FIFTH WHEELS

Fifth Wheels developed to reduce maintenance costs, replaceable lube plates on the top surface eliminate the need for grease so reducing servicing time, costs and vehicle downtime. The lock system and components do still require grease / lubrication.



TERMINAL FIFTH WHEELS E.G. FW 3510-TR

Developed specifically for use on terminal tractors cast in a specially selected extra high grade steel and tailor made for increased loads and durability in this extremely demanding environment. Available with optional manual secondary lock for movement of trailers on the public highway.



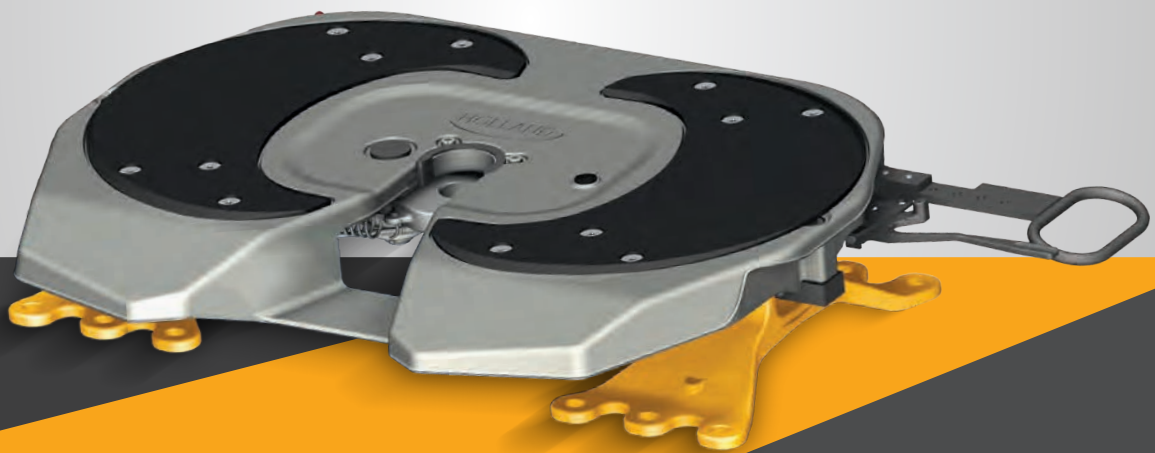
DUAL HEIGHT FIFTH WHEEL SK-S 36.20 H

A height adjustable fifth wheel which can be used in lowered or raised position. It is designed for volume transportation with 2-axle low liner trucks and mega trailers. The dual height fifth wheel allows in uncoupling condition to elevate the lifting device by air so that trailers with different coupling heights can be coupled with the same truck. The elevating fifth wheel is available pre-drilled to fit all european vehicles.

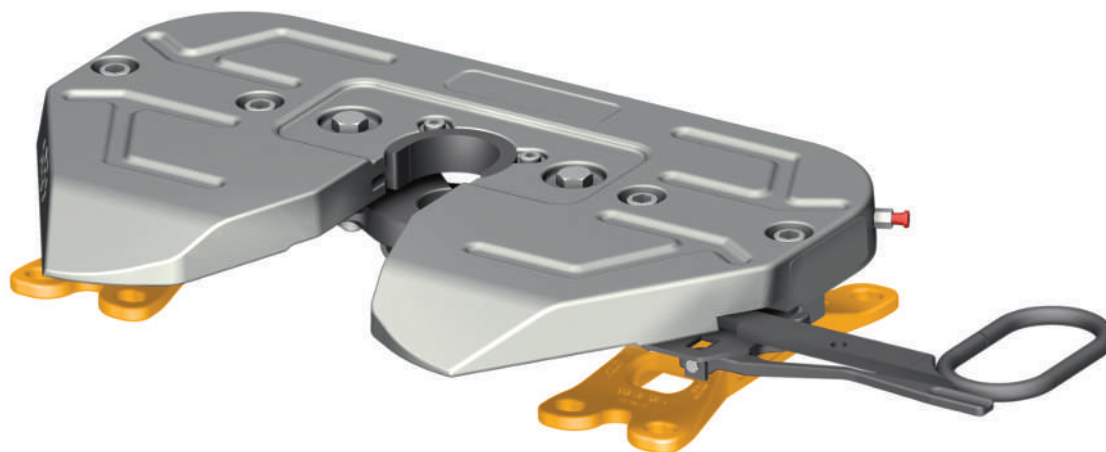


SAF-HOLLAND Group

Fifth Wheels



GC 6

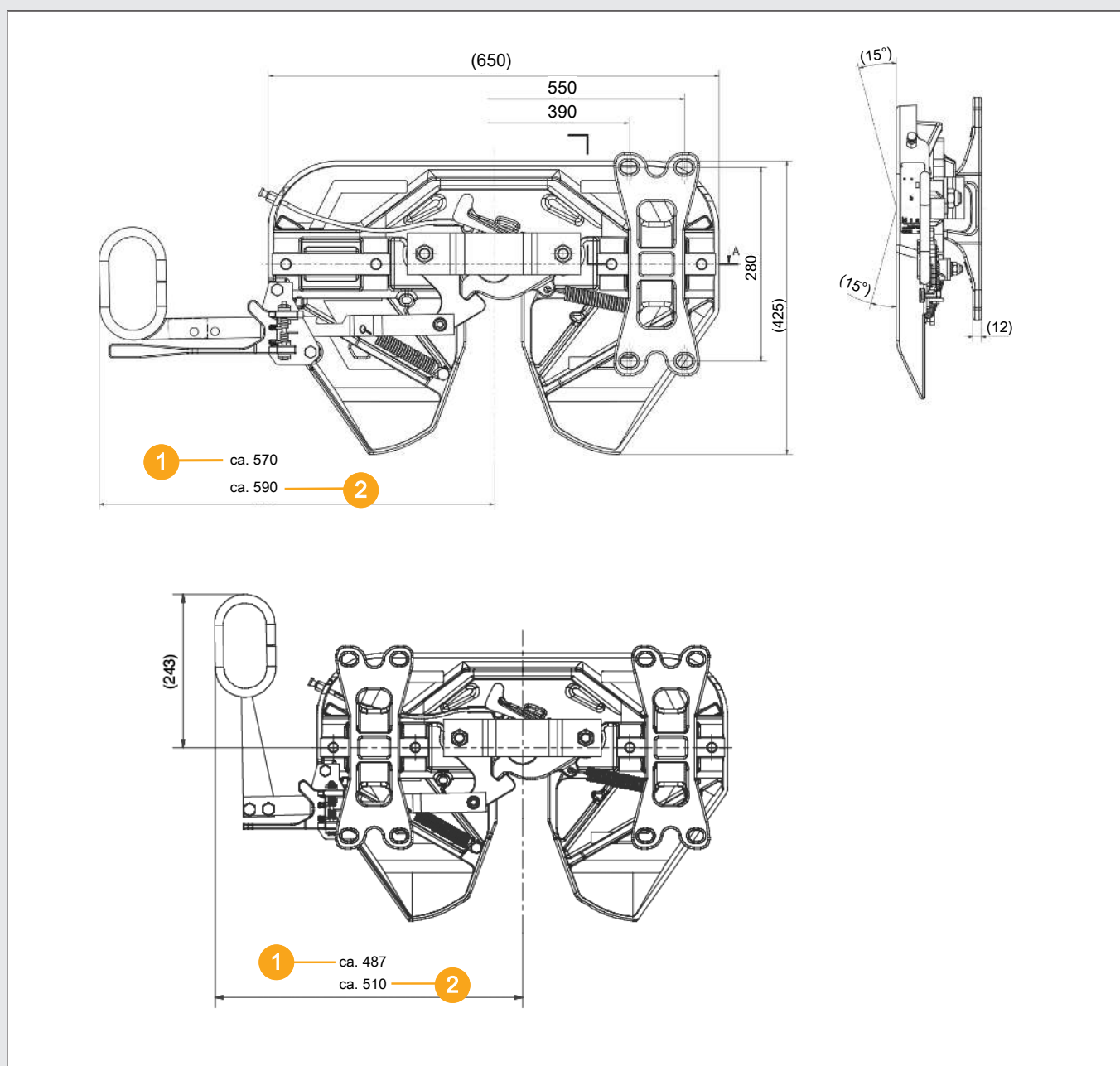


- Not approved for forced steering
- ECE Type Approval no: E11 55R-01 6737
- ECE Type Approval no: E11 55R-01 6737
- No mounting plate required

Technical Data

Type	Lock size [Inch]	Overall height [mm]	Imposed load [t]	D-value [kN]	Weight [kg]	Angle of inclination degree (w1/w2)	Order no.
Standard	2"	120	6	49	45	max.15° / max.15°	662121005
grip	2"	120	6	49	45	max.15° / max.15°	662121006

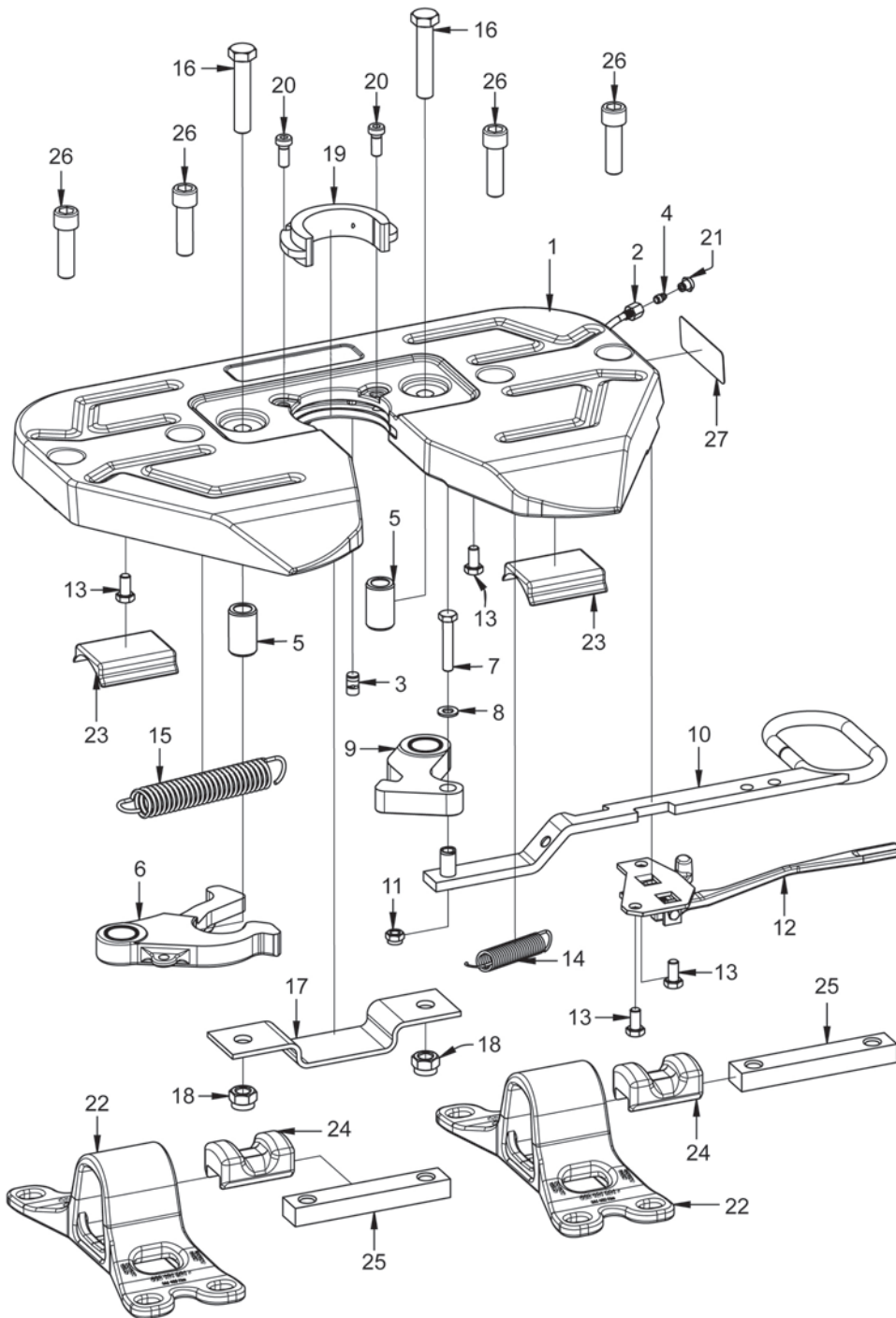
Dimensions



1	In position "locked"
2	In position "unlocked"

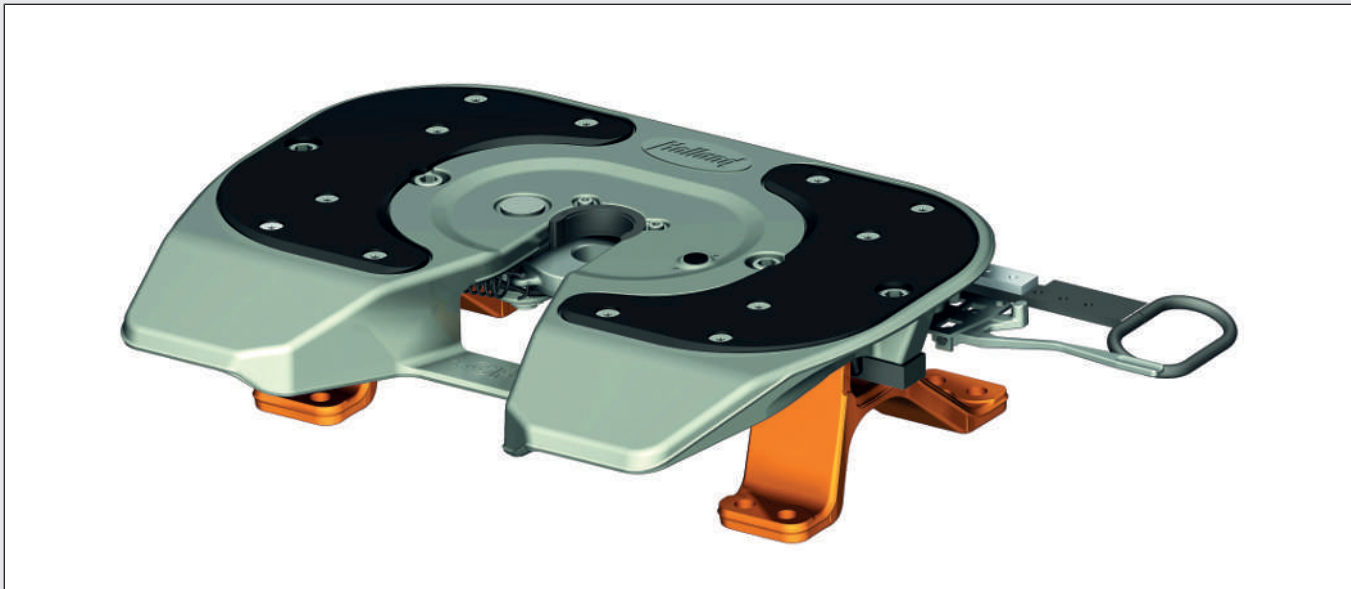
Subject to modifications in dimensions and design

Spare Parts GC 6



Item	Component	Dimensions	Pcs.	Order no.
	Repair kit wear ring (19, 20)			662101534
	Repair kit locking mechanism (6, 16, 18, 19, 20)			662101739
	Repair kit bearing (23, 24, 25, 26)			662101740
	Coupling plate without mounting bracket			662121010
1	Coupling plate		1	662121020
2	Lubrication tube		1	659144160
3	Plug		1	662129380
4	Grease nipple		1	662126224
5	Pin		2	662119141
6	Coupler jaw cpl.		1	662121026
7	Hex-screw		1	659112655
8	U-washer		1	662126175
9	Locking hook cpl.		1	662119139
10	Operating handle		1	662121027
11	Hex-nut		1	659100036
12	Latch cpl.		1	662121031
13	Hex socket head screw		4	659112359
14	Return spring		1	662121029
15	Return spring		1	662126410
16	Hex socket head screw	M16x80	2	659112355
17	Holder		1	662119142
18	Hex-nut		2	662126152
19	Wear ring		1	662131114
20	Hex-screw	M10x25	2	659112372
21	Grease fitting cap		1	659144142
22	Mounting bracket	120mm	2	662121021
23	Bearing insert		2	662121022
24	Rubber damping		2	662121023
25	Tensioning bar		2	662121024
26	Cylinder screw with hexagon socket		4	659112377
27	Identification plate		1	659120420

FW3214-W

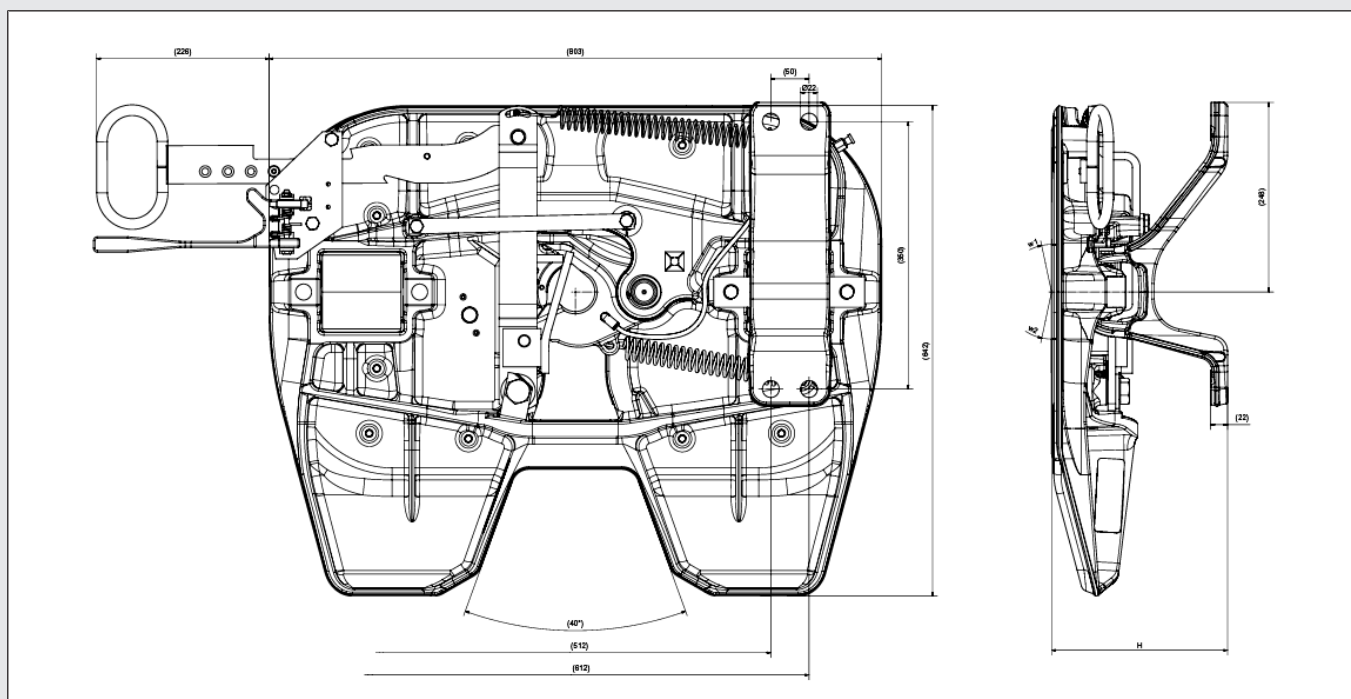


- **Please note:** This fifth wheel is only to be used for the Mercedes-Benz Actros 4 x 2 in certain configurations.
- Ideal concept for Mercedes-Benz Antos and Actros 4 x 2 (18 t) tractors with the following specifications:
Wheel base 3700 mm with fifth wheel lead 600 mm
- The complete fifth wheel and mounting brackets are available from Daimler.
- For automatic lubrication of the lock mechanism, we recommend the use of our grease dispenser with adaptor (Page 162).
- ECE Type Approval no: E11 55R 017836

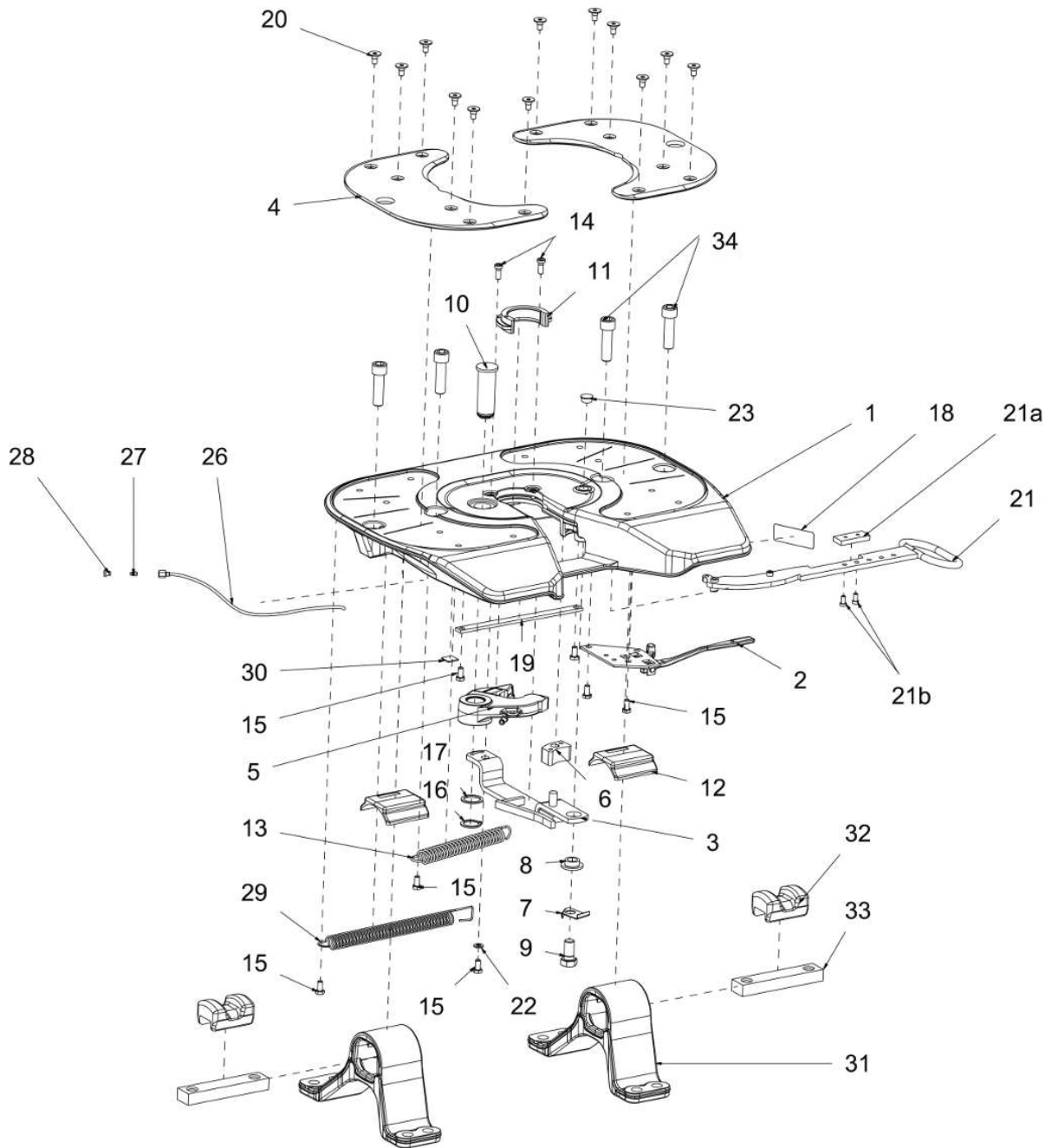
Technical Data

Type	Lock size [Inch]	Overall height [mm]	Imposed load [t]	D-value [kN]	Weight [kg]	Angle of inclination degree (w1/w2)
FW3214-W	2	165	14	104	100	12 / 12
FW3214-W	2	190	14	104	102	12 / 12
FW3214-W	2	225	14	104	104	12 / 12

Dimensions



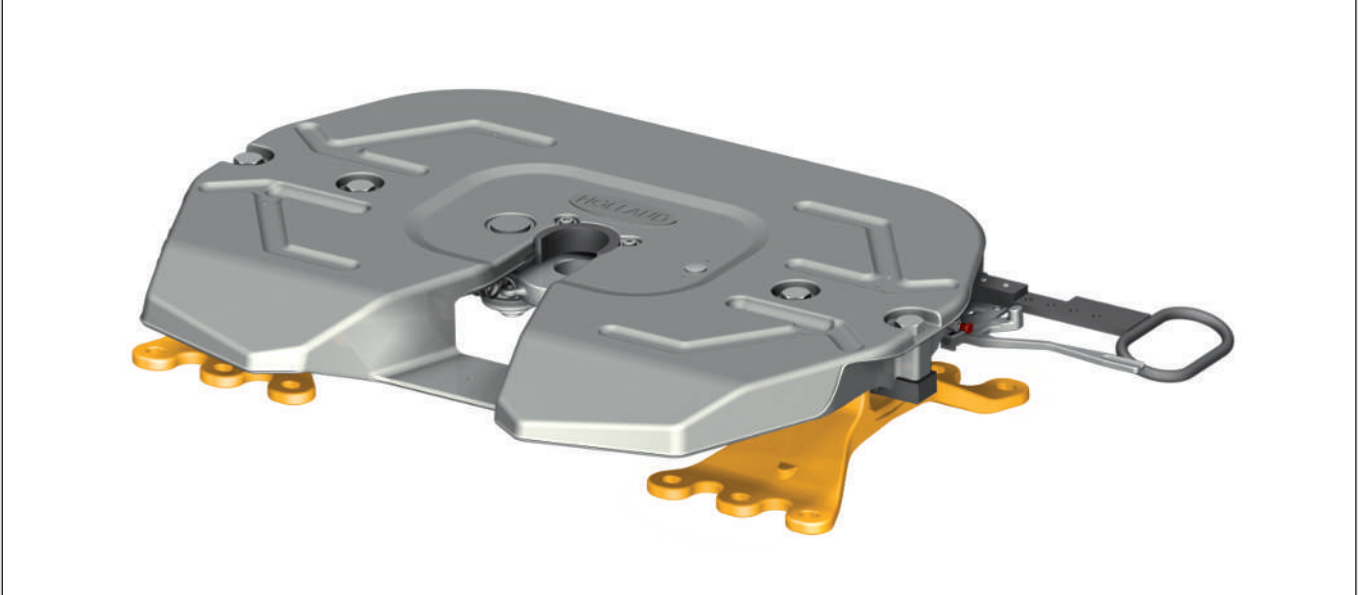
Spare Parts FW3214-W



Item	Component	Dimensions	Pcs.	Order no.
	Repair kit locking mechanism (5, 6, 7, 9, 10, 11, 14, 16, 17)			662101517
	Repair kit bearing (12, 32, 34)			662101518
	Repair kit wear ring (11,14)			662101534
	Repair kit for wear plate (4, 20)			662101656
	Repair kit locking (K)*			662101752
	Repair kit locking (A) (2, 15)			662101748
	Repair kit Operating handle (15, 21, 22, 29)			662101754
	Repair kit locking hock (3, 7, 8, 9, 15, 19)			662101755
	Repair kit Lubrication tube (26, 27, 28)			662101757
	Coupling plate without mounting bracket		1	662134002
1	Coupling plate		1	662129571
2	Automatic latch		1	662129153
3	Locking hook cpl.		1	662134156
4	Slider		2	662134103
5	Coupler jaw cpl.		1	662131107
6	Stopper		1	662129381
7	Locking plate		1	662129387
8	Bush		1	662129374
9	Hex socket head screw	M20x40	1	662129600
10	Pin		1	662129375
11	Wear ring		1	662131114
12	Bearing insert		2	662130101
13	Return spring		1	662126411
14	Hex-screw	M10x25	2	659112372
15	Hex socket head screw	M10x20	7	659112359
16	Circlip		1	659100027
17	Supporting washer		1	659100026
18	Identification plate		1	659120420
19	Guide		1	662129144
20	Flange screw		12	662130114
21	Operating handle		1	662134166
21a	Adjustment plate		1	662129158
21b	Hex-screw	M8x16	2	659112371
22	U-washer	Ø10	1	662126175
23	Plug		1	659140916
24	Protecting cap	6mm	2	662126255
26	Lubrication tube complete		1	659144146
27	Grease nipple	M8x1	1	662126224
28	Grease fitting cap		1	659144142
29	Return spring		1	662134317
30	Mounting base		1	662129168
31	Mounting bracket	Overall height 165mm	2	662134384
	Mounting bracket	Overall height 190mm	2	662111256
	Mounting bracket	Overall height 225mm	2	662134389
32	Rubber damping		2	662114110
33	Tensioning bar		2	662129388
34	Hex-screw	M20x70	4	659112365

* The coupling is delivered from the factory only with an automatic locking device. It can be retrofitted with the carabiner safety hook using kit 662 101 752.

SK-S 36.20 (Standard)



- Approved for forced steering
- ECE Type Approval no: E1 55R-01 0218

RECOSS® – THE PROVEN 3-SENSOR SAFETY SYSTEM

Available ex works and retrofittable for Volvo/Renault and Mercedes-Benz from MP4, spare parts: see Page 158.

Technical Data

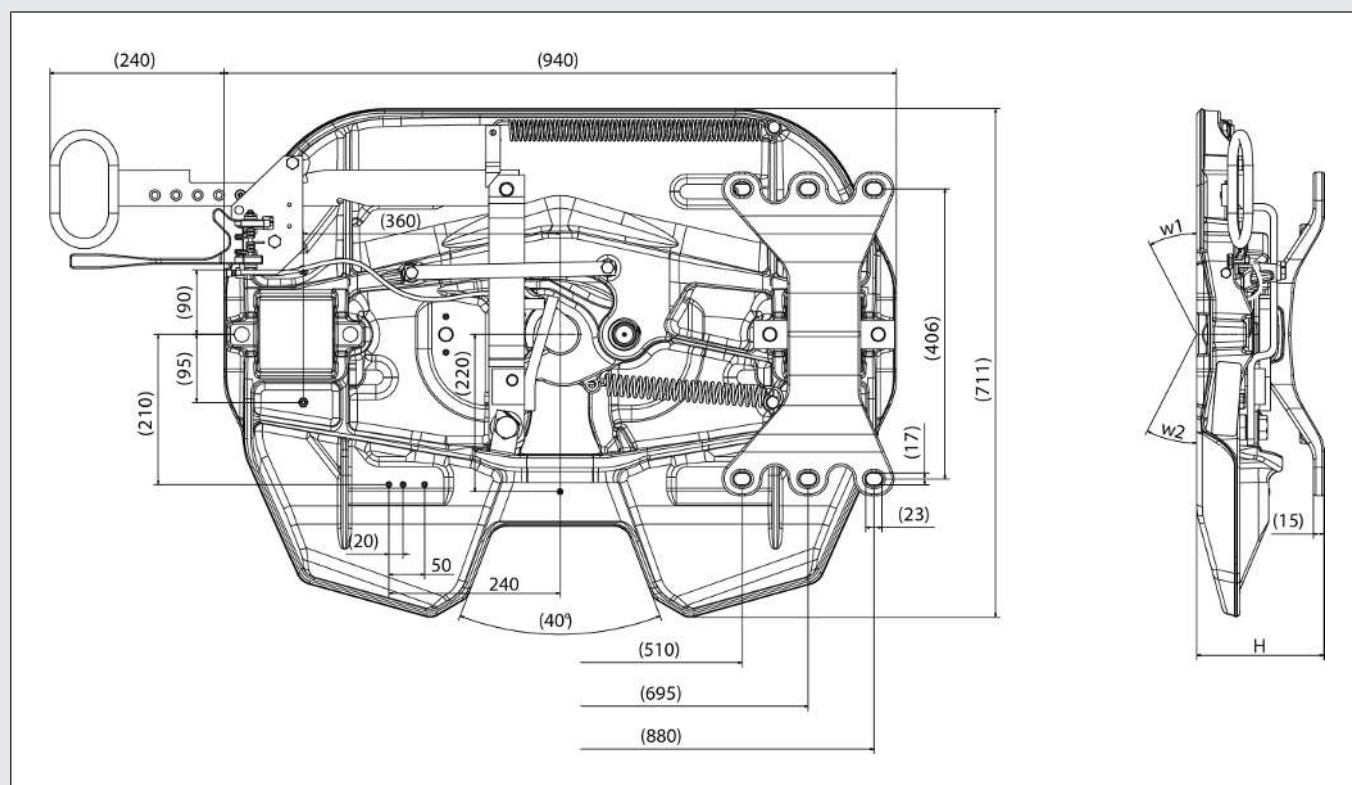
Type	Lock size [inch]	Overall height [mm]	Imposed load [t]	D-value [kN]	Weight [kg]	Angle of inclination degree (w1/w2)	Order no.
SK-S 36.20	2"	128*	20	152	116	8° / 8°	662129046
SK-S 36.20	2"	150	20	152	116	8° / 13°	662129038
SK-S 36.20 - Export** ¹⁾	2"	150	20	152	125	8° / 13°	662129084
SK-S 36.20	2"	185	20	152	119	17° / 26°	662129048
SK-S 36.20 - Export** ¹⁾	2"	185	20	152	123	17° / 26°	662129085
SK-S 36.20	2"	225	20	152	121	23° / 30°	662129031
SK-S 36.20	2"	250	20	152	131	29° / 42°	662129049

* Tilt angle in accordance with ISO 1726 for height 128 mm is only guaranteed with our mounting plate MP 486

** Reinforced mounting brackets for applications outside the European Union

¹⁾ No homologation

Dimensions

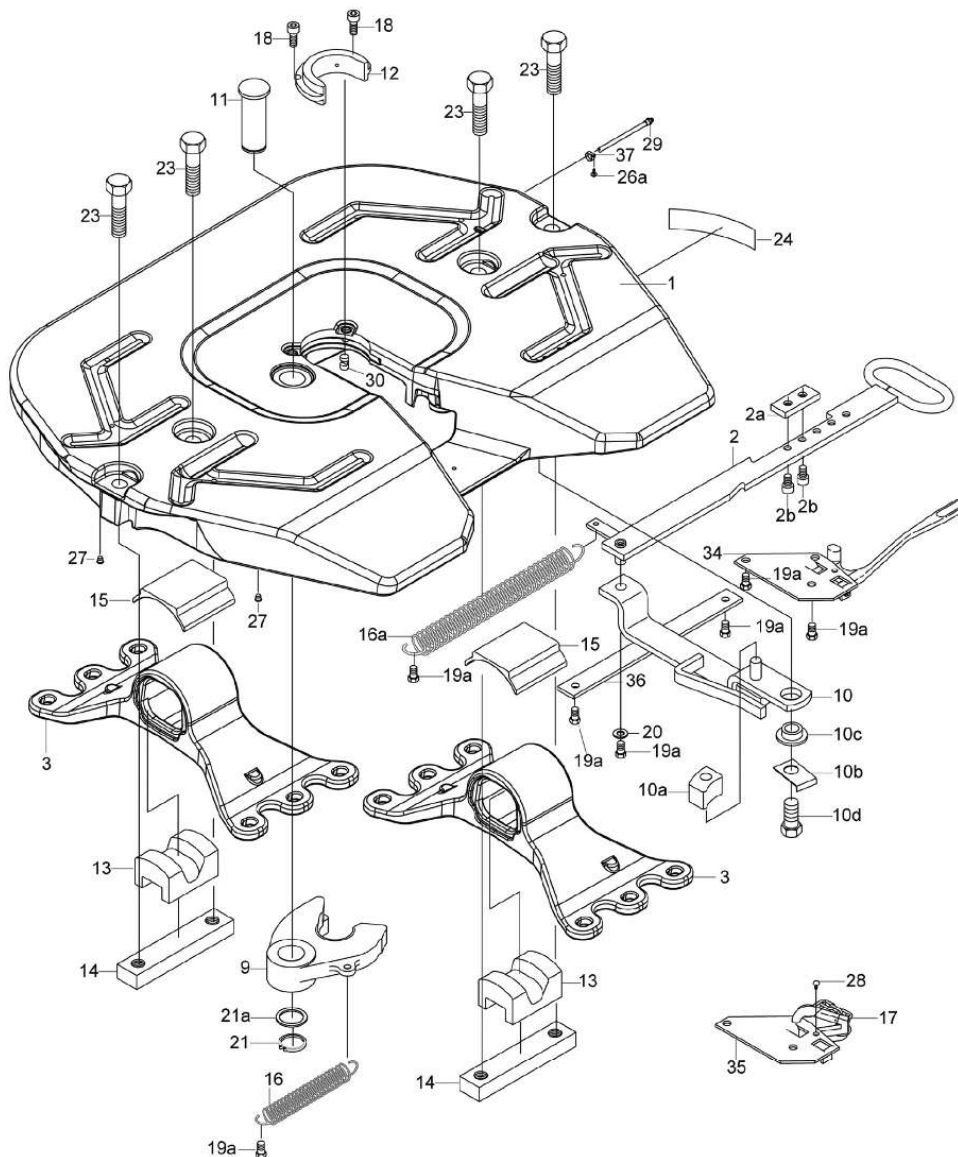


Mounting hole pattern according to DIN 74081

Subject to modifications in dimensions and design

Spare Parts SK-S 36.20

Repair kits also apply to SK-S 36.20 D



Item	Component	Dimensions	Serial no.	Pcs.	Order no.
	Repair kit bearing (13, 15, 23)			1	662101473
	Repair kit locking mechanism (9, 11, 12, 18, 21)		0 - 12999	1	662101475
	Repair kit locking mechanism and bearings (9, 11, 12, 13, 15, 18, 21, 21a, 23)		0 - 12999	1	662101477
	Repair kit locking mechanism (9, 10a, 10b, 10d, 11, 12, 18, 21, 21a)		13000 - ...	1	662101492
	Repair kit locking mechanism and bearings (9, 10a, 10b, 10d, 11, 12, 13, 15, 18, 21, 21a, 23)		13000 - ...	1	662101493
	Repair kit wear ring (19, 20)		0 - 12999	1	662101565
	Repair kit wear ring (12, 18)		13000 - ...	1	662101566
	Repair kit Operating handle			1	662101746

Item	Component	Dimensions	Serial no.	Pcs.	Order no.
	Repair kit locking hock (10, 10b, 10c, 10d, 19a, 36)			1	662101747
	Repair kit locking (A) (19a, 34)			1	662101748
	Repair kit locking (K) (17, 19a, 28, 35)			1	662101749
	Repair kit Lubrication tube (26a, 27, 29, 30, 37, 40, 46, 47)			1	662101750
	Repair kit Return spring (16, 16a)			1	662101751
	Coupling plate without mounting bracket			1	662129003
1	Coupling plate			1	662134571
2*	Operating handle		13000 - ...	1	662129166
2a	Adjustment plate		13000 - ...	1	662129158
2b	Hex-screw	M8x16	13000 - ...	2	659112371
3	Mounting bracket	128mm		2	662129383
3	Mounting bracket	150mm		2	662129584
3	Mounting bracket	150mm - EXPORT		2	662129384
3	Mounting bracket	185mm		2	662129485
3	Mounting bracket	185mm - EXPORT		2	662129385
3	Mounting bracket	225mm		2	662129389
3	Mounting bracket	250mm		2	662129386
9	Coupler jaw cpl.			1	662129134
10*	Locking hook		13000 - ...	1	662129156
10a	Stopper			1	662129381
10b	Locking plate			1	662129387
10c	Bush			1	662129374
10d	Hex socket head screw	M20x40		1	662129600
11	Pin			1	662129375
12	Wear ring		13000 - ...	1	662129377
12	Wear ring		0 - 12999	1	662129373
13	Rubber damping			2	662114110
14	Tensioning bar			2	662129388
15	Bearing insert			2	662130101
16	Return spring			1	662126411
16a	Return spring			1	662129317
17	Clipper with linkage			1	662100574
18	Hex-screw	M10x25	0 - 12999	2	659112372
18	Hex-screw	M10x25	0 - 13000	2	662126155
19a	Hex socket head screw	M10x16	0 - 12999	5	662126172
19a	Hex socket head screw	M10x20	13000 - ...	7	659112359
20	U-washer	Ø10		1	662126175
21	Circlip			1	659100027
21a	Supporting washer			1	659100026
23	Hex socket head screw	M20x80		4	662129606
24	Identification plate			1	659120380
26	Groove pin	3x8		2	662126173
26a	Groove pin	4x10		1	662126179
27	Protecting cap		0 - 12999	2	662129393
27	Protecting cap		13000 - ...	5	662126223
28	Rivet			1	662126151
29	Lubrication tube complete	L=410	0 - 35177	1	659144106
30	Plug		13000 - ...	1	662129380
34	Automatic latch			1	662129153
35	Latch cpl.		0 - 11999	1	662129376
35	Latch cpl.		12000 - ...	1	662129147
36	Guide			1	662129144
37	Mounting			1	659100029
38	Hex socket head screw	M10x25	0 - 12999	2	662111202
	Fixing nut		0 - 12999	1	662126176



SAF-HOLLAND Group

Item	Component	Dimensions	Serial no.	Pcs.	Order no.
	Grease nipple	M8x1	0 - 12999	1	662126224
	Eyebolt		0 - 12999	1	662126465
	Protecting cap (not shown)		0 - 12999	4	662129393
	Central lubrication kit*				659144148

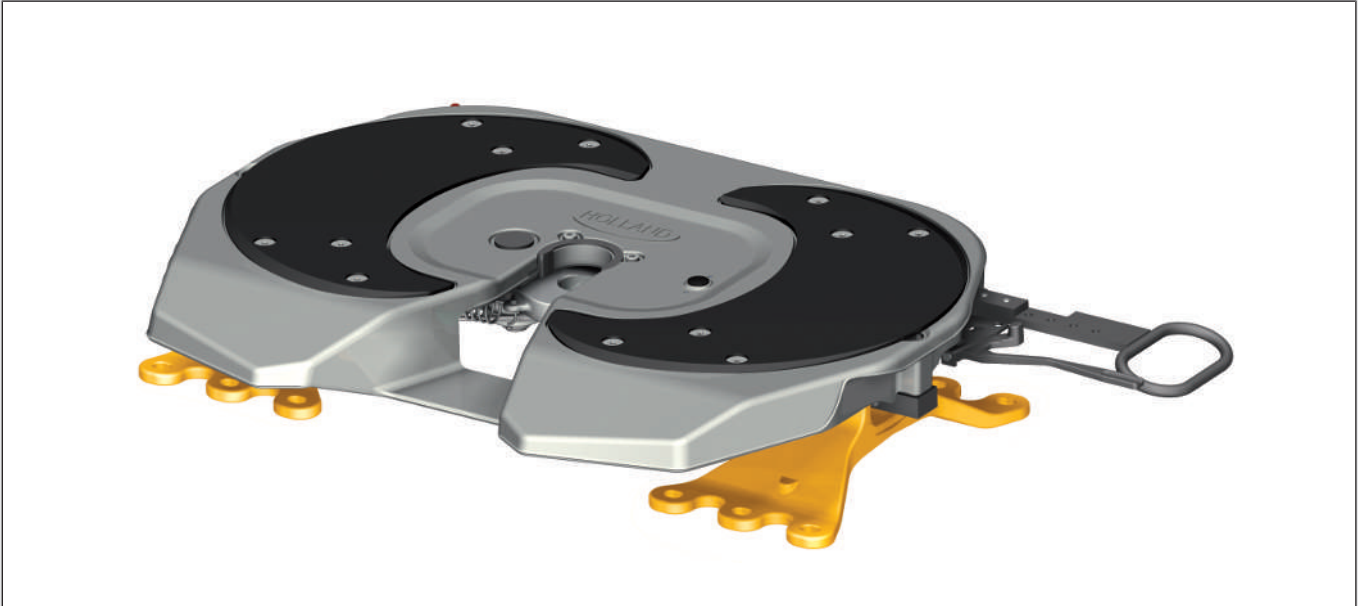
* Serial no. 0-11999: spare part on request.

Serial no. 12000-12999: both components have to be exchanged when changing the operating handle or the locking hook.

** Not usable with Volvo vehicles.

SK-S 36.20 W

Low-Maintenance



- Approved for forced steering
- ECE Type Approval no: E1 55R-01 0218

For automatic lubrication of the locking mechanism we recommend the use of our grease dispenser with adaptor (Page 162).

RECOSS® – THE PROVEN 3-SENSOR SAFETY SYSTEM

Available ex works and retrofittable for Volvo/Renault and Mercedes-Benz from MP4, spare parts: see Page 158.

Technical Data

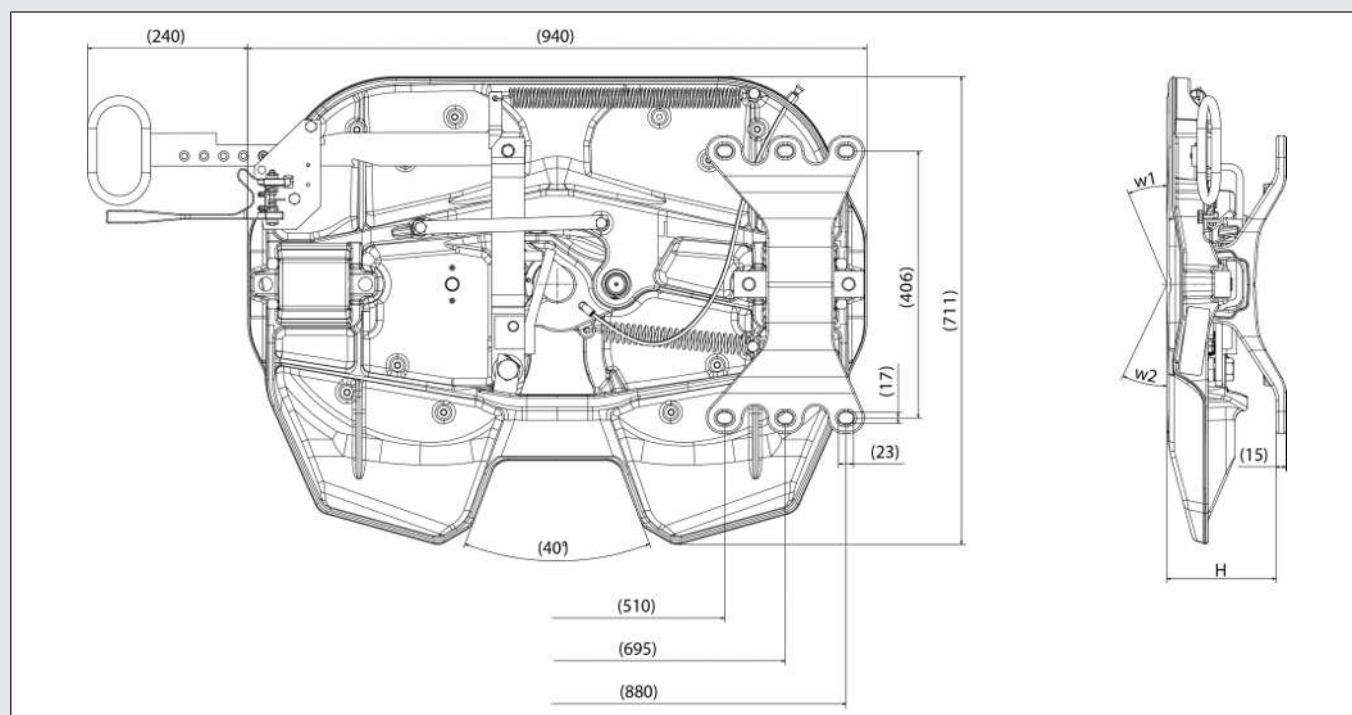
Type	Lock size [Inch]	Overall height [mm]	Imposed load [t]	D-value [kN]	Weight [kg]	Angle of inclination degree (w1/w2)	Order no.
SK-S 36.20 W	2"	128*	20	152	117	8° / 8°	662131011
SK-S 36.20 W	2"	150	20	152	118	8° / 13°	662131088
SK-S 36.20 W - Export** ¹⁾	2"	150	20	152	121	8° / 13°	662131812
SK-S 36.20 W	2"	185	20	152	121	17° / 26°	662131013
SK-S 36.20 W - Export** ¹⁾	2"	185	20	152	124	17° / 26°	662131085
SK-S 36.20 W	2"	225	20	152	124	23° / 30°	662131042
SK-S 36.20 W	2"	250	20	152	134	29° / 42°	662131014

* Tilt angle in accordance with ISO 1726 for height 128 mm is only guaranteed with our mounting plate MP 486

** Reinforced mounting brackets for applications outside the European Union

¹⁾ No homologation

Dimensions

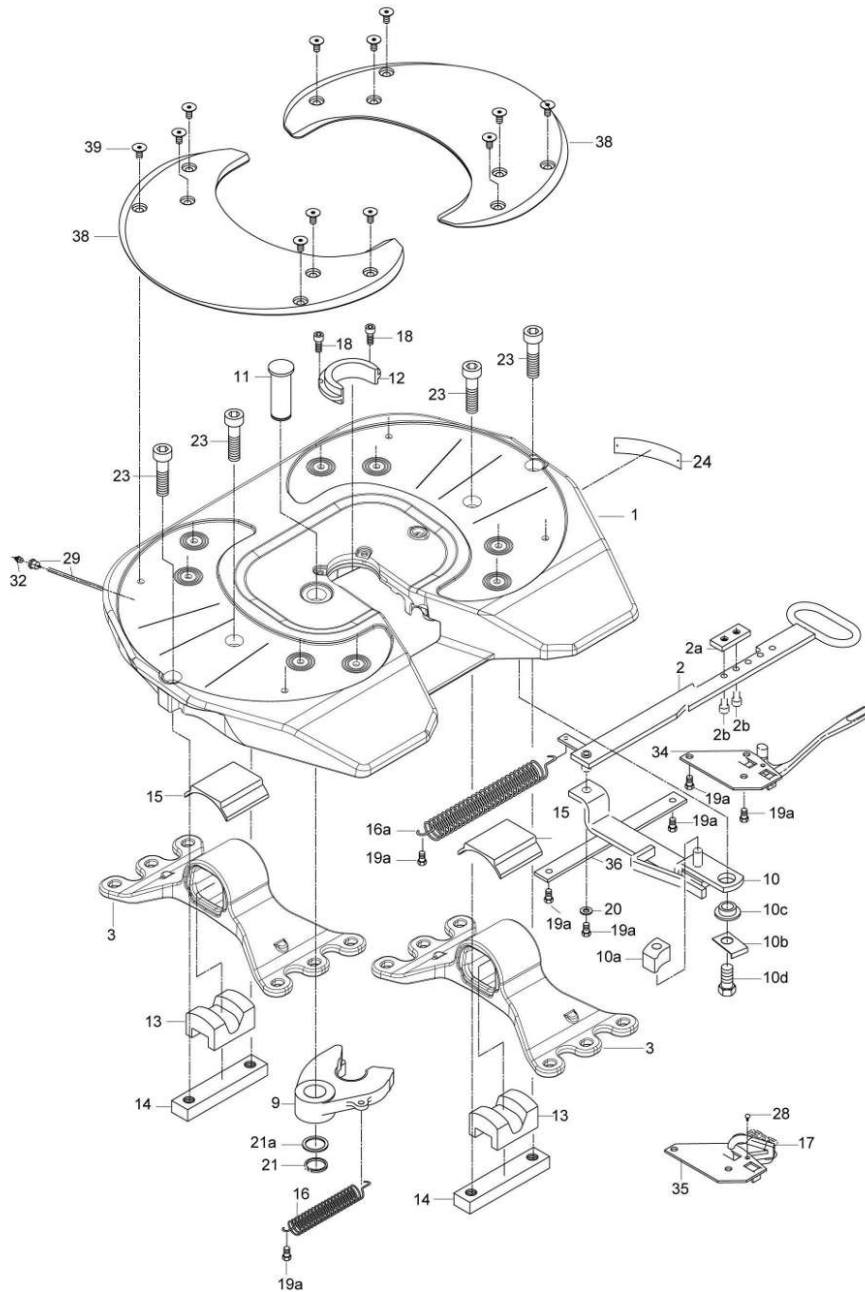


Mounting hole pattern according to DIN 74081

Subject to modifications in dimensions and design

Spare Parts SK-S 36.20 W

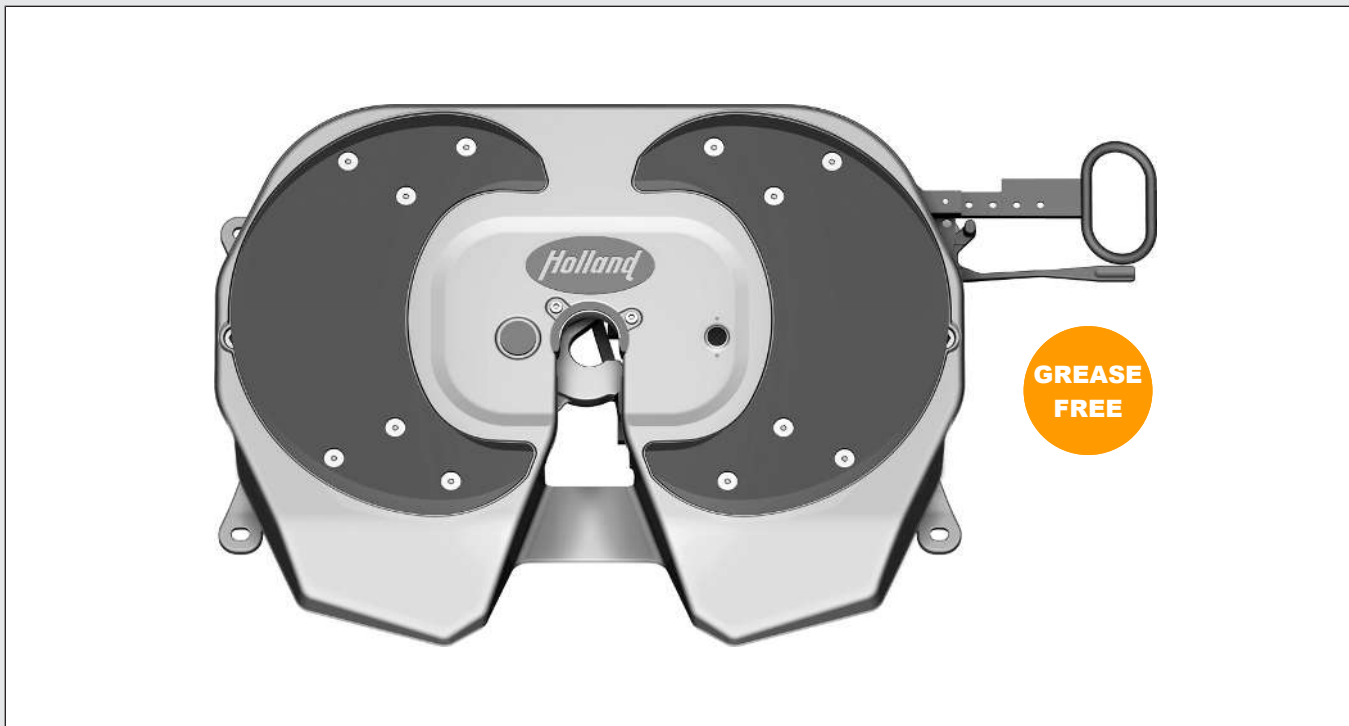
Repair kits also apply to SK-S 36.20 DW



Item	Component	Dimensions	Serial no.	Pcs.	Order no.
	Repair kit for wear plate (38, 39)				662101469
	Repair kit locking mechanism and bearings (9, 10a, 10b, 10d, 11, 12, 13, 15, 18, 21, 21a, 23)				662101516
	Repair kit locking mechanism (9, 10a, 10b, 10d, 11, 12, 18, 21, 21a)				662101517
	Repair kit bearing				662101518
	Repair kit wear ring				662101534

Item	Component	Dimensions	Serial no.	Pcs.	Order no.
	Mounting kit for fifth wheel plate (W) without mounting bracket (13, 14, 15, 23, 38, 39)				662101738
	Repair kit Operating handle			1	662101746
	Repair kit locking hock (10, 10b, 10c, 10d, 19a, 36)			1	662101747
	Repair kit locking (A) (19a, 34)			1	662101748
	Repair kit locking (K) (17, 19a, 28, 35)			1	662101749
	Repair kit Return spring (16, 16a)			1	662101751
	Coupling plate (W) without mounting bracket (assembly kit necessary)				662131002
1	Coupling plate			1	662129571
2*	Operating handle		13000 - ...	1	662129166
2a	Adjustment plate		13000 - ...	1	662129158
2b	Hex-screw	M8x16	13000 - ...	2	659112371
3	Mounting bracket	128mm		2	662129383
3	Mounting bracket	150mm		2	662129584
3	Mounting bracket	150mm - EXPORT		2	662129384
3	Mounting bracket	185mm		2	662129485
3	Mounting bracket	185mm - EXPORT		2	662129385
3	Mounting bracket	225mm		2	662129389
3	Mounting bracket	250mm		2	662129386
9	Coupler jaw cpl.			1	662131107
10	Locking hook			1	662129156
10a	Stopper			1	662129381
10b	Locking plate			1	662129387
10c	Bush			1	662129374
10d	Hex socket head screw	M20x40		1	662129600
11	Pin			1	662129375
12	Wear ring			1	662131114
13	Rubber damping			2	662114110
14	Tensioning bar			2	662129388
15	Bearing insert			2	662130101
16	Return spring			1	662126411
16a	Return spring			1	662129317
17	Clipper with linkage			1	662100574
18	Hex-screw	M10x25	0 - 12999	2	659112372
19a	Hex socket head screw	M10x20	13000 - ...	7	659112359
20	U-washer	Ø10		1	662126175
21	Circlip			1	659100027
21a	Supporting washer			1	659100026
23	Hex-screw	M20x70		4	659112365
24	Identification plate			1	659120380
26	Groove pin	3x8		2	662126173
28	Rivet			1	662126151
29	Lubrication tube complete	L=410	0 - 35177	1	659144106
29	Lubrication tube complete	L=495	35178 - ...	1	659144146
32	Grease nipple	M8x1	0 - 12999	1	662126224
34	Automatic latch			1	662129153
35	Latch cpl.		12000 - ...	1	662129147
36	Guide			1	662129144
38	Slider			1	662131103
39	Flange screw			12	662130114

SK-S 36.20 NoLube



- Permanent, maintenance-free bearings
- Approved for forced steering
- ECE Type Approval no: E1 55R-01 0218

RECOSS® – THE PROVEN 3-SENSOR SAFETY SYSTEM

Available ex works and retrofittable for Volvo/Renault and Mercedes-Benz from MP4, spare parts: see Page 158.

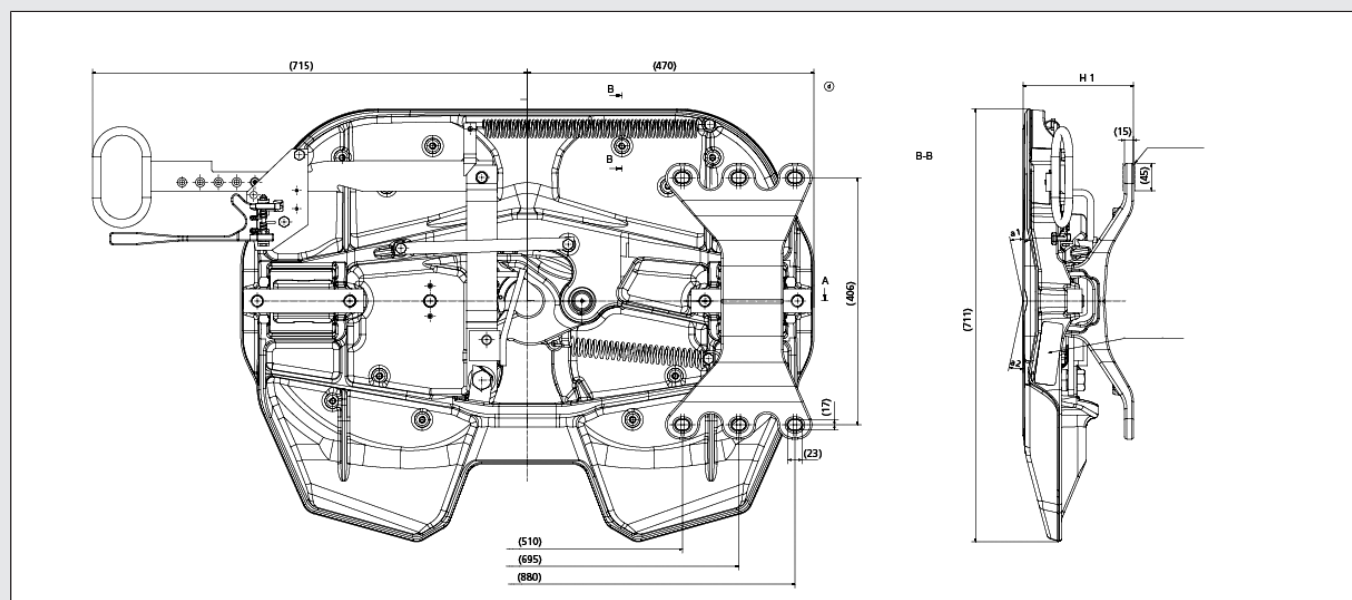
Technical Data

Type	Overall height [mm]	Imposed load [t]	D-value [kN]	Weight [kg]	Angle of inclination degree (w1/w2)	Order no.
SK-S 36.20 NoLube	128*	20	152	117	8° / 8°	662131916
SK-S 36.20 NoLube - Export**	150	20	152	121	8° / 13°	662131918
SK-S 36.20 NoLube	150	20	152	118	8° / 13°	662131921
SK-S 36.20 NoLube - Export**	185	20	152	124	17° / 26°	662131924
SK-S 36.20 NoLube	185	20	152	121	17° / 26°	662131926
SK-S 36.20 NoLube	225	20	152	124	29° / 42°	662131929
SK-S 36.20 NoLube	250	20	152	134	29° / 42°	662131931

* Tilt angle in accordance with ISO 1726 for height 128 mm is only guaranteed with our mounting plate MP 486

** Reinforced mounting brackets for applications outside the European Union

Dimensions



SK-S 36.20 D NoLube



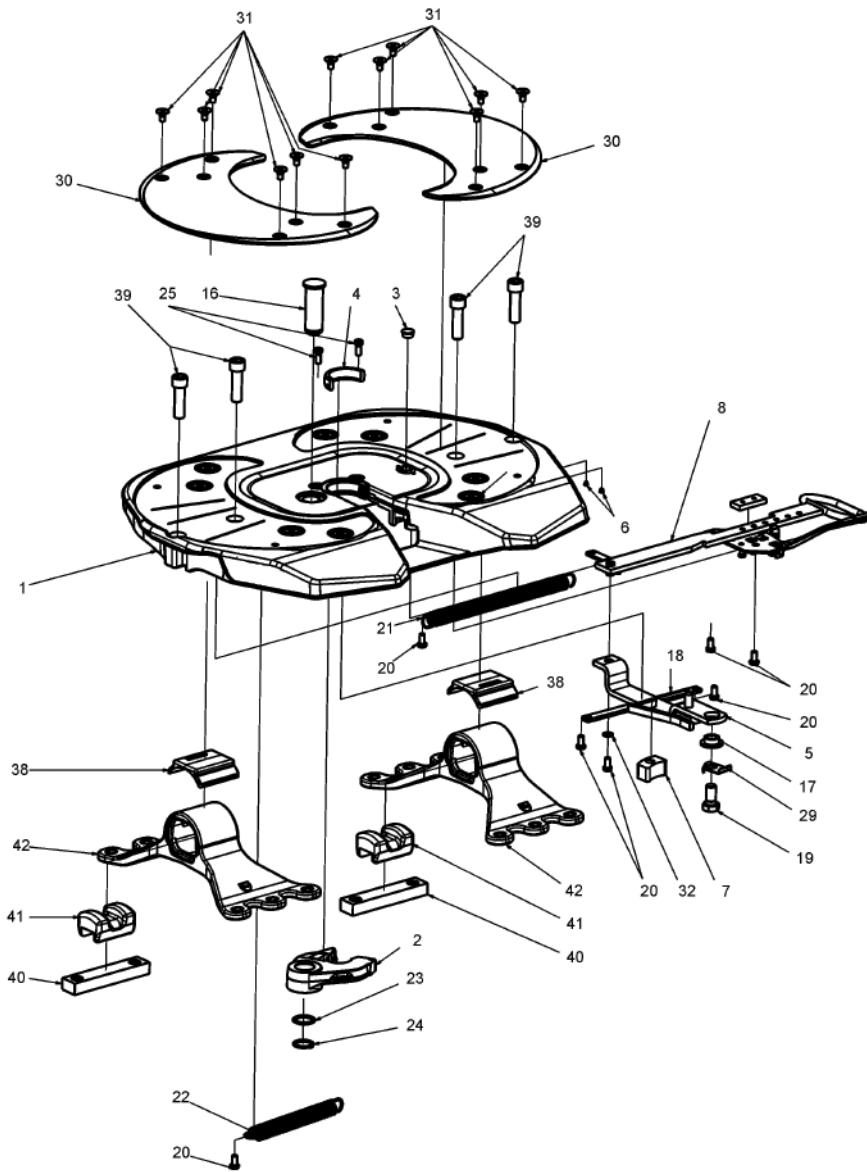
- Permanent, maintenance-free bearings
- Approved for forced steering
- ECE Type Approval no: E1 55R-01 0218

Technical Data

Type	Overall height [mm]	Imposed load [t]	D-value [kN]	Weight [kg]	Angle of inclination degree (w1/w2)	Order no.
Mercedes-Benz (Mounting width 860 mm)						
SK-S 36.20 D NoLube	148*	20	152	126	9.5° / 13°	66213193501
SK-S 36.20 D NoLube	190	20	152	135	19° / 25°	66213193601
SK-S 36.20 D NoLube	225	20	152	143	24° / 30°	66213193701
*Additional vendor specific mounting plate (12 mm / 39 kg)						
MAN						
SK-S 36.20 D NoLube	148*	20	152	126	9.5° / 13°	66213193502
SK-S 36.20 D NoLube	190	20	152	135	19° / 25°	66213193602
SK-S 36.20 D NoLube	225	20	152	143	24° / 30°	66213193702
*Additional vendor specific mounting plate (8 mm / 18 kg)						
Iveco						
SK-S 36.20 D NoLube	148*	20	152	126	9.5° / 13°	66213193503
SK-S 36.20 D NoLube	190	20	152	135	19° / 25°	66213193603
SK-S 36.20 D NoLube	225	20	152	143	24° / 30°	66213193703
*Additional vendor specific mounting plate (8 mm / 40 kg)						
DAF						
SK-S 36.20 D NoLube	190	20	152	135	19° / 25°	66213193604
SK-S 36.20 D NoLube	225*	20	152	143	24° / 30°	66213193704
*For the DAF model 225 mm overall height: cross bar 662131139 is required						

- Use overall heights 190 mm and 225 mm only with cross bars, if the overall heights is changed
- Cross bar required; consisting of
 - tie rod, complete: 662131142
 - cross bar: 662131143

Spare Parts SK-S 36.20 NoLube



Item	Component	Dimensions	Serial no.	Pcs.	Order no.
	Repair kit for wear plate (30, 31)				662101469
	Repair kit bearing (38, 39, 41)				662101518
	Repair kit locking mechanism (2, 4, 7, 16, 19, 23, 24, 25, 29)				662101533
	Repair kit wear ring (4, 25)				662101534
	Repair kit Operating handle (8, 20, 21, 32)				662101746
	Repair kit locking hock (5, 17, 18, 19, 20, 29)				662101747
	Repair kit locking (A) (13, 20)				662101748
	Repair kit locking (K)				662101749
	Repair kit Return spring (21, 22)				662101751

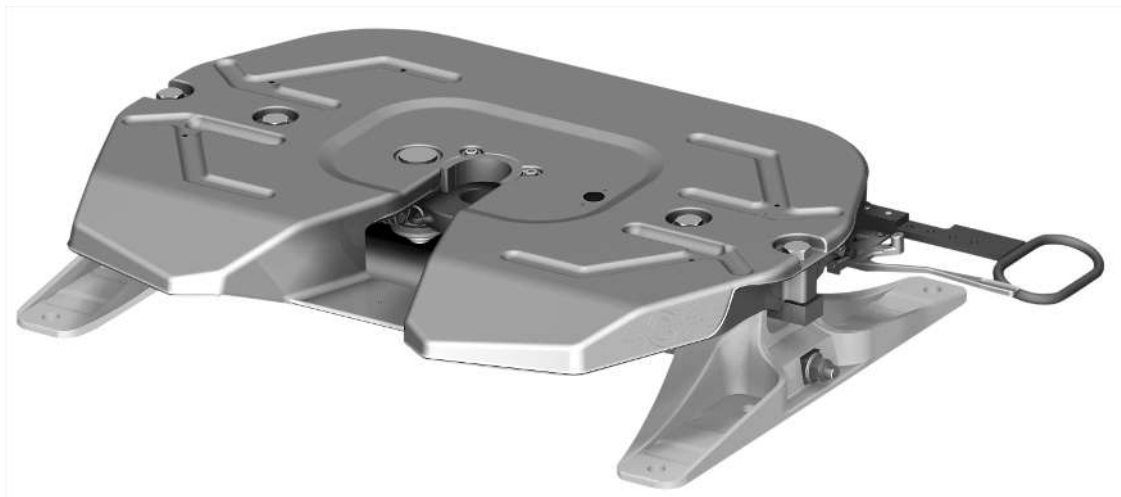
Item	Component	Dimensions	Serial no.	Pcs.	Order no.
	Coupling plate without mounting bracket				662131910
	Coupling plate without mounting bracket				662131911
1	Coupling plate			1	662129571
2	Coupler jaw cpl.			1	662131907
3	Plug			1	659140916
4	Wear ring			1	662131114
5	Locking hook			1	662129156
6	Protecting cap (6mm)			2	662126255
7	Stopper			1	662129381
8	Operating handle			1	662129166
13	Automatic latch			1	662129153
16	Pin			1	662129375
17	Bush			1	662129374
18	Guide			1	662129144
19	Hex socket head screw	M20x40		1	662129600
20	Hex socket head screw	M10x20		7	659112359
21	Return spring			1	662129317
22	Return spring			1	662126411
23	Supporting washer			1	659100026
24	Circlip			1	659100027
25	Hex-screw	M10x25		2	659112372
29	Locking plate			1	662129387
30	Slider			2	662131103
31	Flange screw			12	662130114
32	U-washer	Ø10		1	662126175
38	Bearing insert			2	662130101
39	Hex-screw	M20x70		4	659112365
40	Tensioning bar			2	662129388
41	Rubber damping			2	662114110
42	Mounting bracket	128mm		2	662129383
42	Mounting bracket	150mm		2	662129584
42	Mounting bracket	150mm - EXPORT		2	662129384
42	Mounting bracket	185mm		2	662129485
42	Mounting bracket	185mm - EXPORT		2	662129385
42	Mounting bracket	225mm		2	662129389
42	Mounting bracket	250mm		2	662129386
42	Mounting bracket with pattern of drilling	148mm	Mercedes Benz	2	662131120
42	Mounting bracket with pattern of drilling*	190mm	Mercedes Benz	2	662131125
42	Mounting bracket with pattern of drilling*	225mm	Mercedes Benz	2	662131130
42	Mounting bracket with pattern of drilling	148mm	MAN	2	662131121
42	Mounting bracket with pattern of drilling*	190mm	MAN	2	662131126
42	Mounting bracket with pattern of drilling*	225mm	MAN	2	662131131
42	Mounting bracket with pattern of drilling	148mm	IVECO	2	662131122
42	Mounting bracket with pattern of drilling*	190mm	IVECO	2	662131127
42	Mounting bracket with pattern of drilling*	225mm	IVECO	2	662131132
42	Mounting bracket with pattern of drilling	148mm	DAF	2	662131123
42	Mounting bracket with pattern of drilling*	190mm	DAF	2	662131128
42	Mounting bracket with pattern of drilling**	225mm	DAF	2	662131133

* Cross bar required; consisting of:
tie rod, complete 662131142 and
cross bar D 51 mm 6621311433

** Cross bar required: 662131139

SK-S 36.20 D

Direct Mounting



- Easy to mount directly on the vehicle chassis
- Approved for forced steering
- ECE Type Approval no: E1 55R-01 0218

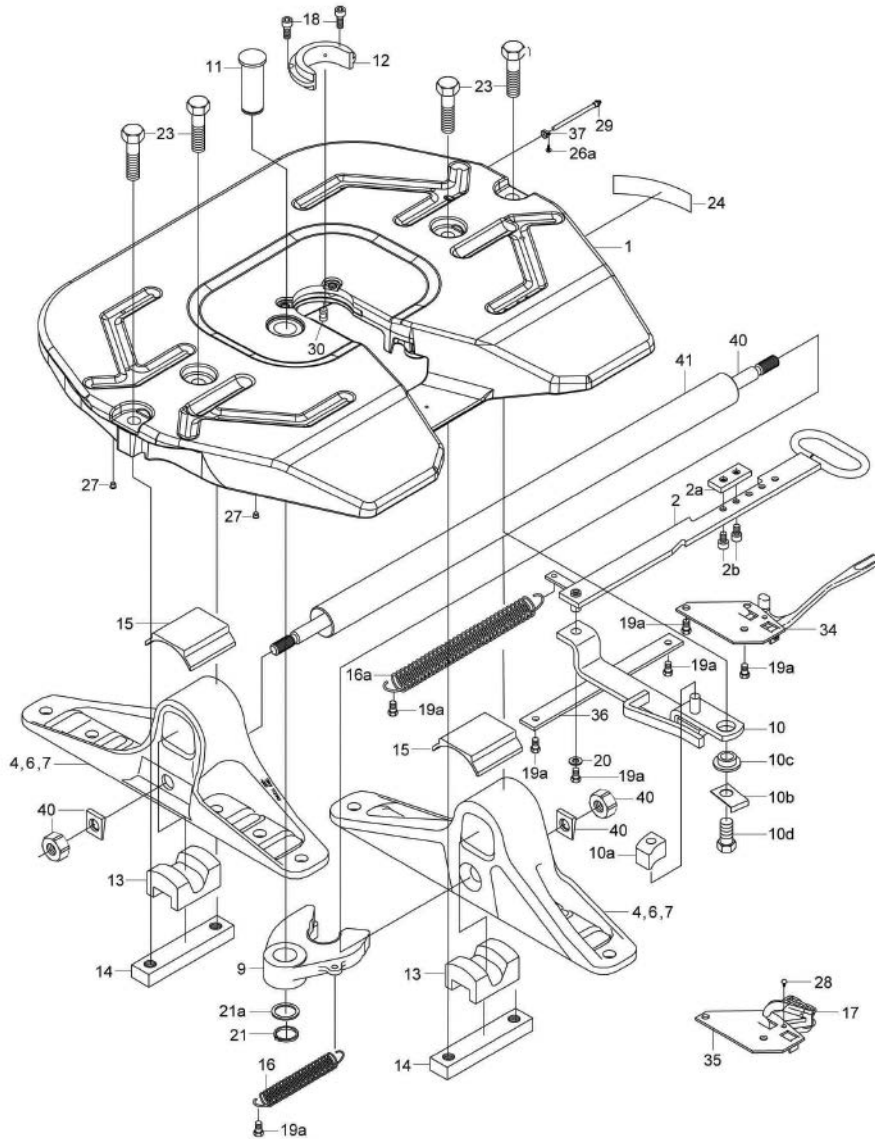
Technical Data

Type	Overall height [mm]	Imposed load [t]	D-value [kN]	Weight [kg]	Angle of inclination degree (w1/w2)	Order no.
Mercedes-Benz (Mounting width 860 mm)						
SK-S 36.20 D	148*	20	152	126*	9.5° / 13°	66212920001
SK-S 36.20 D	190	20	152	135	19° / 15°	66212920101
SK-S 36.20 D	225	20	152	143	24° / 30°	66212920201
*Additional vendor specific mounting plate (12 mm / 39 kg)						
MAN						
SK-S 36.20 D	148*	20	152	126*	9.5° / 13°	66212920002
SK-S 36.20 D	190	20	152	135	19° / 15°	66212920102
SK-S 36.20 D	225	20	152	143	24° / 30°	66212920202
*Additional vendor specific mounting plate (8 mm / 18 kg)						
Iveco						
SK-S 36.20 D	148*	20	152	126*	9.5° / 13°	66212920003
SK-S 36.20 D	190	20	152	135	19° / 15°	66212920103
SK-S 36.20 D	225	20	152	143	24° / 30°	66212920203
*Additional vendor specific mounting plate (8 mm / 40 kg)						
DAF						
SK-S 36.20 D	190	20	152	135	19° / 15°	66212920104
SK-S 36.20 D	225*	20	152	143	24° / 30°	66212920204
*For the DAF model 225 mm overall height: cross bar 662131139 is required						

- Use overall heights 190 mm and 225 mm only with cross bars, if the overall heights is changed
- Cross bar required; consisting of
 - tie rod, complete: 662131142
 - cross bar: 662131143

Spare Parts SK-S 36.20 D

Repair kits also apply to SK-S 36.20



Item	Component	Dimensions	Serial no.	Pcs.	Order no.
	Repair kit bearing (13, 15, 23)			1	662101473
	Repair kit locking mechanism (9, 10a, 10b, 10d, 11, 12, 18, 21, 21a)		13000 - ...	1	662101492
	Repair kit locking mechanism and bearings (9, 10a, 10b, 10d, 11, 12, 13, 15, 18, 21, 21a, 23)		13000 - ...	1	662101493
	Repair kit wear ring (12, 18)		13000 - ...	1	662101566
	Repair kit Operating handle			1	662101746
	Repair kit locking hock (10, 10b, 10c, 10d, 19a, 36)			1	662101747
	Repair kit locking (A) (19a, 34)			1	662101748
	Repair kit locking (K) (17, 19a, 28, 35)			1	662101749
	Repair kit Lubrication tube (26a, 27, 29, 30, 37, 40, 46, 47)			1	662101750
	Repair kit Return spring (16, 16a)			1	662101751
	Coupling plate without mounting bracket			1	662129003

Item	Component	Dimensions	Serial no.	Pcs.	Order no.
1	Coupling plate			1	662129571
2*	Operating handle		13000 - ...	1	662129166
2a	Adjustment plate		13000 - ...	1	662129158
2b	Hex-screw	M8x16	13000 - ...	2	659112371
4	Mounting bracket with pattern of drilling	148mm	Mercedes Benz	2	662131120
4	Mounting bracket with pattern of drilling	148mm	MAN	2	662131121
4	Mounting bracket with pattern of drilling	148mm	IVECO	2	662131122
4	Mounting bracket with pattern of drilling	148mm	DAF	2	662131123
6	Mounting bracket with pattern of drilling	190mm	Mercedes Benz	2	662131125
6	Mounting bracket with pattern of drilling	190mm	MAN	2	662131126
6	Mounting bracket with pattern of drilling	190mm	IVECO	2	662131127
6	Mounting bracket with pattern of drilling	190mm	DAF	2	662131128
7	Mounting bracket with pattern of drilling	225mm	Mercedes Benz	2	662131130
7	Mounting bracket with pattern of drilling	225mm	MAN	2	662131131
7	Mounting bracket with pattern of drilling	225mm	IVECO	2	662131132
7	Mounting bracket with pattern of drilling	225mm	DAF	2	662131133
9	Coupler jaw cpl.			1	662129134
10	Locking hook			1	662129156
10a	Stopper			1	662129381
10b	Locking plate			1	662129387
10c	Bush			1	662129374
10d	Hex socket head screw	M20x40		1	662129600
11	Pin			1	662129375
12	Wear ring		13000 - ...	1	662129377
13	Rubber damping			2	662114110
14	Tensioning bar			2	662129388
15	Bearing insert			2	662130101
16	Return spring			1	662126411
16a	Return spring			1	662129317
17	Clipper with linkage			1	662100574
18	Hex-screw	M10x25	0 - 12999	2	659112372
19a	Hex socket head screw	M10x20	13000 - ...	7	659112359
20	U-washer	Ø10		1	662126175
21	Circlip			1	659100027
21a	Supporting washer			1	659100026
23	Hex socket head screw	M20x80		4	662129606
24	Identification plate			1	659120380
26	Groove pin	3x8		2	662126173
26a	Groove pin	4x10		1	662126179
27	Protecting cap			4	662126223
28	Rivet			1	662126151
29	Lubrication tube complete	L=410	0 - 35177	1	659144106
30	Plug		13000 - ...	1	662129380
34	Automatic latch			1	662129153
35	Hex-nut			1	662129155
36	Guide			1	662129144
37	Mounting			1	659100029
40	Con rod			1	662131142
41	Strut	Ø51		1	662131143
41	Strut	Ø60,3 (DAF - 225mm)		1	662131139
	Central lubrication kit*				659144148

* Not usable with Volvo vehicles.

SK-S 36.20 DW

Direct Mounting, Low-Maintenance



- Approved for forced steering
- ECE Type Approval no: E1 55R-01 0218

For automatic lubrication of the locking mechanism we recommend the use of our grease dispenser with adaptor (Page 162).

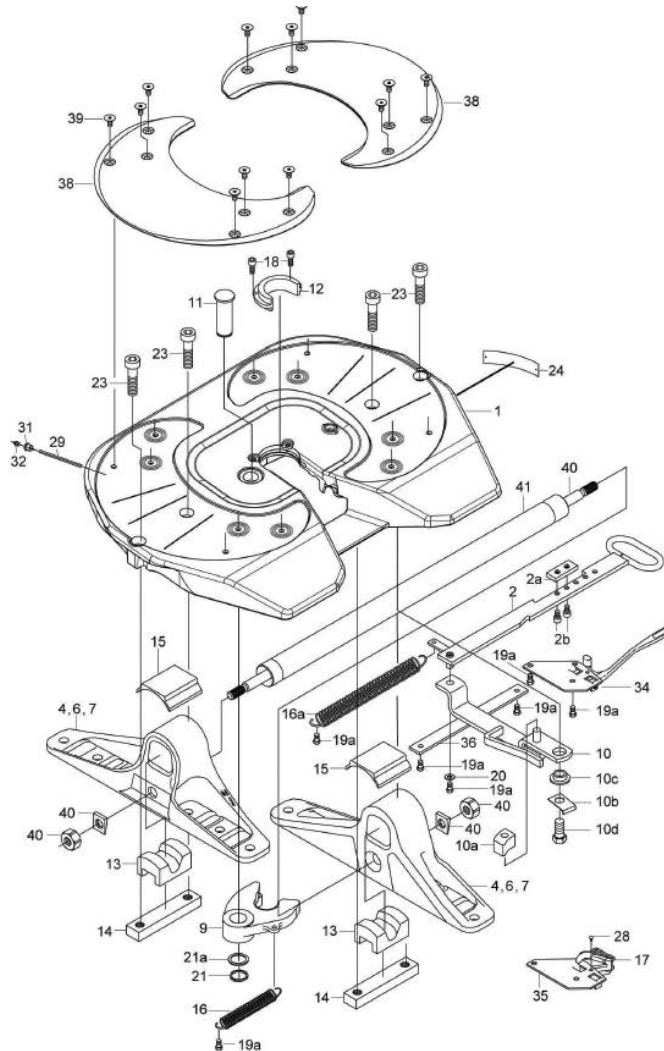
Technical Data

Type	Overall height [mm]	Imposed load [t]	D-value [kN]	Weight [kg]	Angle of inclination degree (w1/w2)	Order no.
Mercedes-Benz (Mounting width 860 mm)						
SK-S 36.20 DW	148*	20	152	126*	9.5° / 13°	66213101601
SK-S 36.20 DW	190	20	152	135	19° / 15°	66213101701
SK-S 36.20 DW	225	20	152	143	24° / 30°	66213101801
*Additional vendor specific mounting plate (12 mm / 39 kg)						
MAN						
SK-S 36.20 DW	148*	20	152	126*	9.5° / 13°	66213101602
SK-S 36.20 DW	190	20	152	135	19° / 15°	66213101702
SK-S 36.20 DW	225	20	152	143	24° / 30°	66213101802
*Additional vendor specific mounting plate (8 mm / 18 kg)						
Iveco						
SK-S 36.20 DW	148*	20	152	126*	9.5° / 13°	66213101603
SK-S 36.20 DW	190	20	152	135	19° / 15°	66213101703
SK-S 36.20 DW	225	20	152	143	24° / 30°	66213101803
*Additional vendor specific mounting plate (8 mm / 40 kg)						
DAF						
SK-S 36.20 DW	190	20	152	135	19° / 15°	66213101704
SK-S 36.20 DW	225*	20	152	143	24° / 30°	66213101804
*For the DAF model 225 mm overall height: cross bar 662131139 is required						

- Use overall heights 190 mm and 225 mm only with cross bars, if the overall heights is changed
- Cross bar required; consisting of
 - tie rod, complete: 662131142
 - cross bar: 662131143

Spare Parts SK-S 36.20 DW

Repair kits also apply to SK-S 36.20 W



Item	Component	Dimensions	Serial no.	Pcs.	Order no.
	Repair kit for wear plate (38, 39)				662101469
	Repair kit locking mechanism and bearings (9, 10a, 10b, 10d, 11, 12, 13, 15, 18, 21, 21a, 23)				662101516
	Repair kit locking mechanism (9, 10a, 10b, 10d, 11, 12, 18, 21, 21a)				662101517
	Repair kit bearing				662101518
	Repair kit wear ring				662101534
	Mounting kit for fifth wheel plate (W) without mounting bracket (13, 14, 15, 23, 38, 39)				662101738
	Repair kit Operating handle			1	662101746
	Repair kit locking hock (10, 10b, 10c, 10d, 19a, 36)			1	662101747
	Repair kit locking (A) (19a, 34)			1	662101748
	Repair kit locking (K) (17, 19a, 28, 35)			1	662101749
	Repair kit Return spring (16, 16a)			1	662101751
	Coupling plate (W) without mounting bracket (assembly kit necessary)				662131002

Item	Component	Dimensions	Serial no.	Pcs.	Order no.
1	Coupling plate (W) without mounting bracket (assembly kit necessary)			1	662131571
2*	Operating handle		13000 - ...	1	662129166
2a	Adjustment plate		13000 - ...	1	662129158
2b	Hex-screw	M8x16	13000 - ...	2	659112371
4	Mounting bracket with pattern of drilling	148mm	Mercedes Benz	2	662131120
4	Mounting bracket with pattern of drilling	148mm	MAN	2	662131121
4	Mounting bracket with pattern of drilling	148mm	IVECO	2	662131122
4	Mounting bracket with pattern of drilling	148mm	DAF	2	662131123
6	Mounting bracket with pattern of drilling	190mm	Mercedes Benz	2	662131125
6	Mounting bracket with pattern of drilling	190mm	MAN	2	662131126
6	Mounting bracket with pattern of drilling	190mm	IVECO	2	662131127
6	Mounting bracket with pattern of drilling	190mm	DAF	2	662131128
7	Mounting bracket with pattern of drilling	225mm	Mercedes Benz	2	662131130
7	Mounting bracket with pattern of drilling	225mm	MAN	2	662131131
7	Mounting bracket with pattern of drilling	225mm	IVECO	2	662131132
7	Mounting bracket with pattern of drilling	225mm	DAF	2	662131133
9	Coupler jaw cpl.			1	662131107
10	Locking hook			1	662129156
10a	Stopper			1	662129381
10b	Locking plate			1	662129387
10c	Bush			1	662129374
10d	Hex socket head screw	M20x40		1	662129600
11	Pin			1	662129375
12	Wear ring			1	662131114
13	Rubber damping			2	662114110
14	Tensioning bar			2	662129388
15	Bearing insert			2	662130101
16	Return spring			1	662126411
16a	Return spring			1	662129317
17	Clipper with linkage			1	662100574
18	Hex-screw	M10x25	0 - 12999	2	659112372
19a	Hex socket head screw	M10x20		7	659112359
20	U-washer	Ø10		1	662126175
21	Circlip			1	659100027
21a	Supporting washer			1	659100026
23	Hex-screw	M20x70		4	659112365
24	Identification plate			1	659120380
26	Groove pin	3x8		2	662126173
28	Rivet			1	662126151
29	Lubrication tube complete	L=495	35178 - ...	1	659144146
32	Grease nipple	M8x1	0 - 12999	1	662126224
34	Automatic latch			1	662129153
35	Latch cpl.		12000 - ...	1	662129147
36	Guide			1	662129144
38	Slider			1	662131103
39	Flange screw			12	662130114
40	Con rod			1	662131142
41	Strut	Ø60,3 (DAF - 225mm)		1	662131139
41	Strut	Ø51		1	662131143

SK-S 36.20 V

Volvo Mounting Angles



Advantage: no additional mounting plate is required for mounting with mounting angles on Volvo vehicles.

- Angle of inclination in accordance with ISO 1726
- Approved for forced steering
- ECE Type Approval no: E1 55R-01 0218

RECOSS® – THE PROVEN 3-SENSOR SAFETY SYSTEM

Available ex works and retrofittable for Volvo/Renault and Mercedes-Benz from MP4, spare parts: see Page 158.

Technical Data

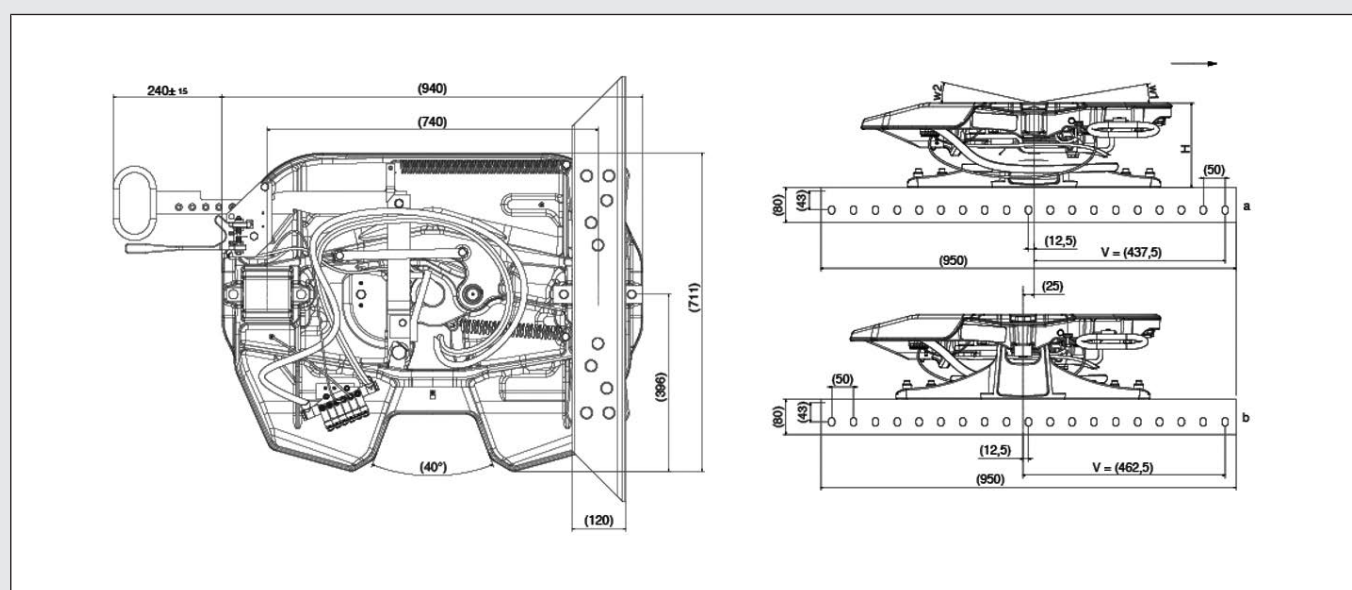
Type	Overall height [mm]	Imposed load [t]	D-value [kN]	Weight [kg]	Angle of inclination degree (w1/w2)	Length [mm]	Order no.
SK-S 36.20 V	140	20	152,3	144	6.5° / 7.2°	V=437,5	662129206
SK-S 36.20 V	140	20	152,3	144	6.5° / 7.2°	V=462,5	662129210
SK-S 36.20 V	160	20	152,3	146	13° / 15°	V=437,5	662129207
SK-S 36.20 V	160	20	152,3	146	13° / 15°	V=462,5	662129211
SK-S 36.20 V	200	20	152,3	150	20° / 23°	V=437,5	662129208
SK-S 36.20 V	200	20	152,3	150	20° / 23°	V=462,5	662129212
SK-S 36.20 V	230	20	152,3	153	24° / 30°	V=437,5	662129209
SK-S 36.20 V	230	20	152,3	153	24° / 30°	V=462,5	662129214

- Central lubrication set 659 144 143 can be ordered for models 662 129 206 – 662 129 214

MODEL WITH CENTRAL LUBRICATION KIT

Type	Overall height [mm]	Imposed load [t]	D-value [kN]	Weight [kg]	Angle of inclination degree (w1/w2)	Length [mm]	Order no.
SK-S 36.20 V	140	20	152,3	145	6.5° / 7.2°	V=462,5	662129215
SK-S 36.20 V	140	20	152,3	145	6.5° / 7.2°	V=437,5	662129219
SK-S 36.20 V	160	20	152,3	147	13° / 15°	V=462,5	662129216
SK-S 36.20 V	160	20	152,3	147	13° / 15°	V=437,5	662129220
SK-S 36.20 V	200	20	152,3	151	20° / 23°	V=462,5	662129217
SK-S 36.20 V	200	20	152,3	151	20° / 23°	V=437,5	662129221
SK-S 36.20 V	230	20	152,3	154	24° / 30°	V=462,5	662129218
SK-S 36.20 V	230	20	152,3	154	24° / 30°	V=437,5	662129222

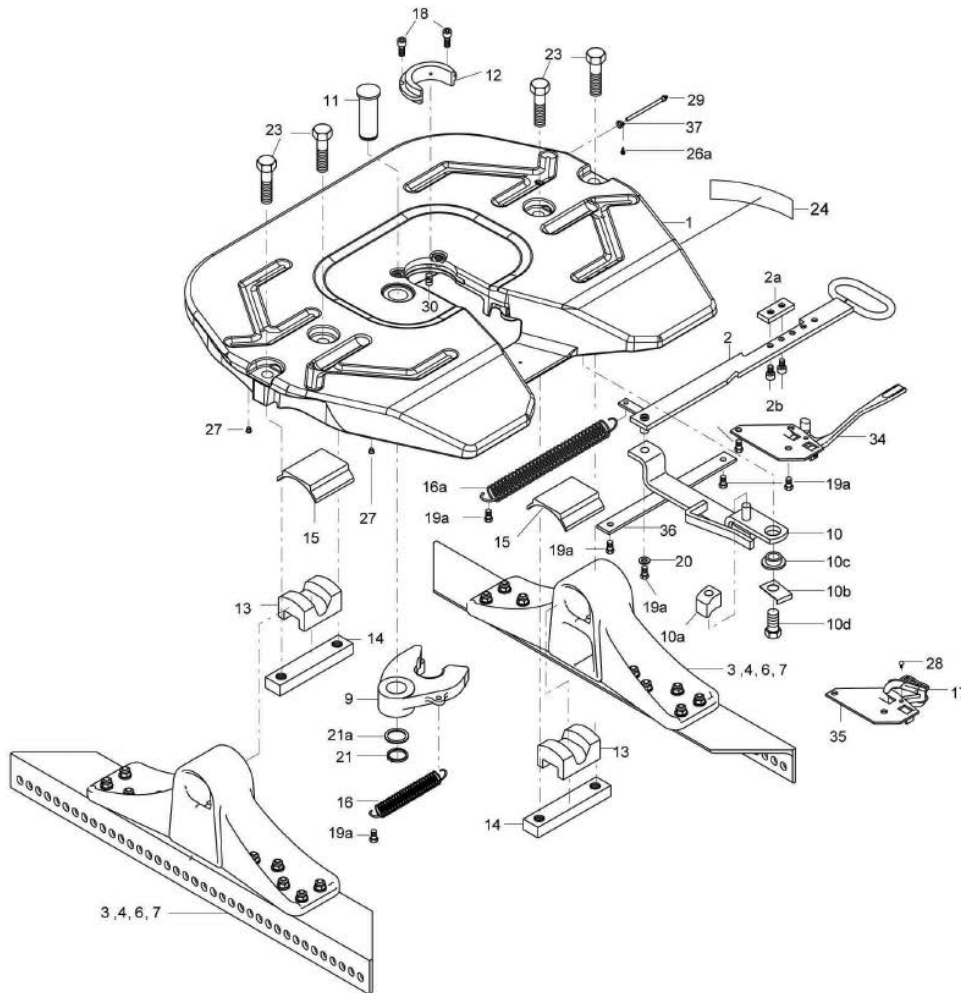
Dimensions



Subject to modifications in dimensions and design

Spare Parts SK-S 36.20 V

Repair kits also apply to SK-S 36.20



Item	Component	Dimensions	Serial no.	Pcs.	Order no.
	Repair kit bearing (13, 15, 23)			1	662101473
	Repair kit locking mechanism (9, 10a, 10b, 10d, 11, 12, 18, 21, 21a)		13000 - ...	1	662101492
	Repair kit locking mechanism and bearings (9, 10a, 10b, 10d, 11, 12, 13, 15, 18, 21, 21a, 23)		13000 - ...	1	662101493
	Repair kit wear ring (19, 20)		0 - 12999	1	662101565
	Repair kit wear ring (12, 18)		13000 - ...	1	662101566
	Repair kit Operating handle			1	662101746
	Repair kit locking hock (10, 10b, 10c, 10d, 19a, 36)			1	662101747
	Repair kit locking (A) (19a, 34)			1	662101748
	Repair kit locking (K) (17, 19a, 28, 35)			1	662101749
	Repair kit Lubrication tube (26a, 27, 29, 30, 37, 40, 46, 47)			1	662101750
	Repair kit Return spring (16, 16a)			1	662101751
	Repair kit sensor**				662129493
	Repair kit locking mechanism** (Page 158)			1	662101768

Item	Component	Dimensions	Serial no.	Pcs.	Order no.
	Repair kit locking mechanism and bearings** (Page 158)			1	662101769
	Coupling plate without mounting bracket			1	662129003
1	Coupling plate			1	662129571
2*	Operating handle		13000 - ...	1	662129166
2a	Adjustment plate		13000 - ...	1	662129158
2b	Hex-screw	M8x16	13000 - ...	2	659112371
3a	Mounting angle	140mm*		1	662129362
3b	Mounting angle*	140mm		1	662129363
4a	Mounting angle*	160mm		1	662129364
4b	Mounting angle*	160mm		1	662129365
6a	Mounting angle*	200mm		1	662129366
6b	Mounting angle*	200mm		1	662129367
7a	Mounting angle*	230mm		1	662129368
7b	Mounting angle*	230mm		1	662129369
9	Coupler jaw cpl.			1	662129134
10	Locking hook			1	662129156
10a	Stopper			1	662129381
10b	Locking plate			1	662129387
10c	Bush			1	662129374
10d	Hex socket head screw	M20x40		1	662129600
11	Pin			1	662129375
12	Wear ring		13000 - ...	1	662129377
13	Rubber damping			2	662114110
14	Tensioning bar			2	662129388
15	Bearing insert			2	662130101
16	Return spring			1	662126411
16a	Return spring			1	662129317
17	Clipper with linkage			1	662100574
18	Hex-screw	M10x25	0 - 12999	2	659112372
19a	Hex socket head screw	M10x20	13000 - ...	7	659112359
20	U-washer	Ø10		1	662126175
21	Circlip			1	659100027
21a	Supporting washer			1	659100026
23	Hex socket head screw	M20x80		4	662129606
24	Identification plate			1	659120380
26	Groove pin	3x8		2	662126173
26a	Groove pin	4x10		1	662126179
27	Protecting cap			4	662126223
28	Rivet			1	662126151
29	Lubrication tube complete	L=410	0 - 35177	1	659144106
30	Plug		13000 - ...	1	662129380
35	Latch cpl.		0 - 11999		662129376
35	Latch cpl.		12000 - ...		662129147
36	Guide			1	662129144
37	Mounting			1	659100029
	Central lubrication kit(not shown)			1	659144143

* Mounting angles are required in pairs, consisting of a+b in the requested height. The indicated measure V is measured during mounting of the brackets on the right hand side in driving direction. A reversal of the mounting angles increases or decreases the coupling point by 25 mm.

** This repair kit is only suitable for sensor fifth wheels fitted with the Volvo/Renault sensor system. The control unit and display in the cab are not SAF-HOLLAND products.

SK-S 36.20 VW

Volvo Mounting Angles, Low-Maintenance



Advantage: no additional mounting plate is required for mounting with mounting angles on Volvo vehicles.

- Angle of inclination in accordance with ISO 1726
- Approved for forced steering
- ECE Type Approval no: E1 55R-01 0218

For automatic lubrication of the locking mechanism we recommend the use of our grease dispenser with adaptor (Page 162).

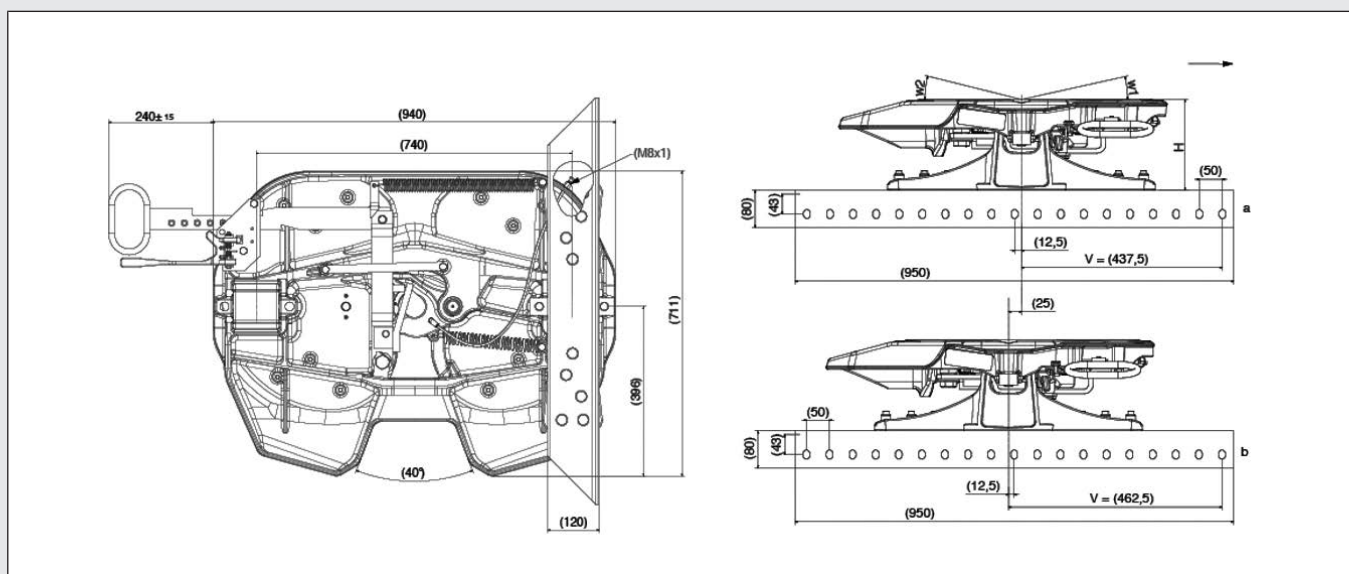
RECOSS® – THE PROVEN 3-SENSOR SAFETY SYSTEM

Available ex works and retrofittable for Volvo/Renault and Mercedes-Benz from MP4, spare parts: see Page 158.

Technical Data

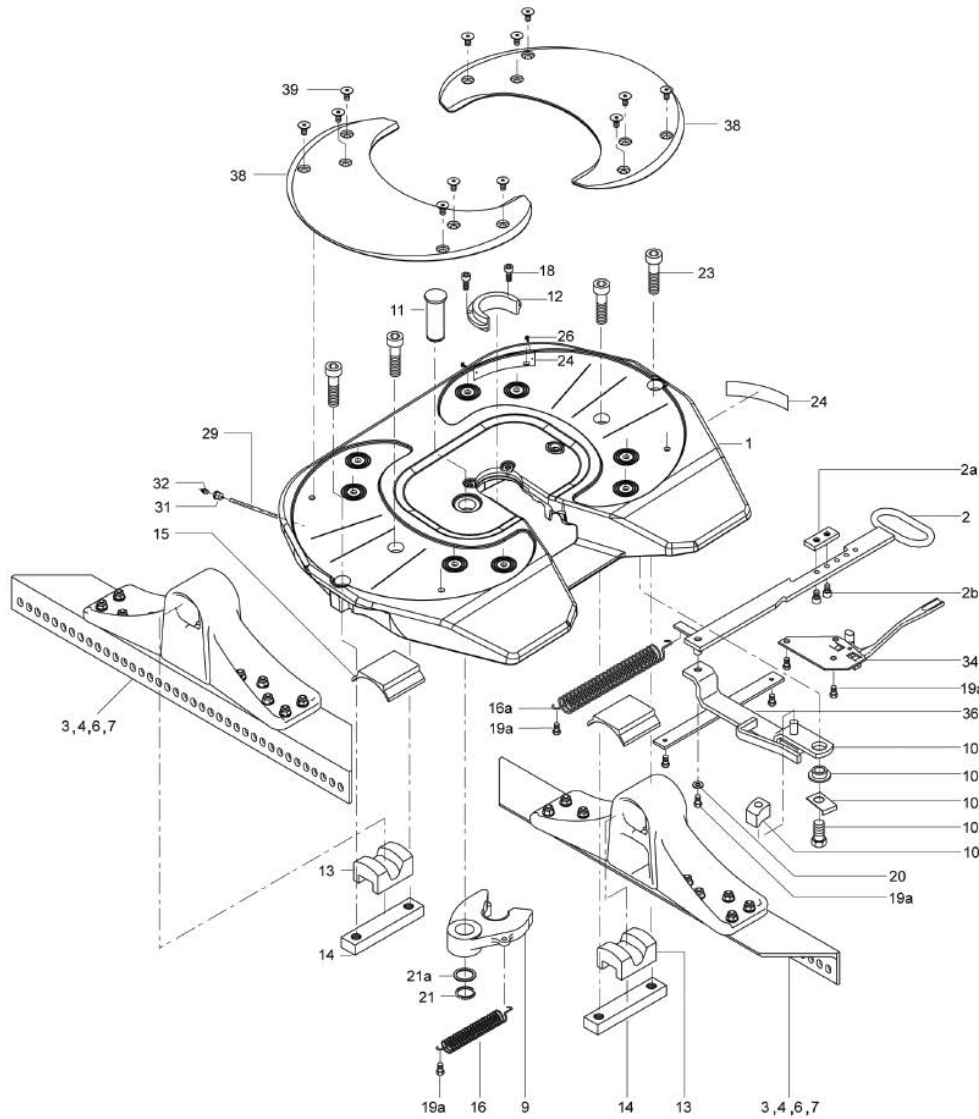
Type	Overall height [mm]	Imposed load [t]	D-value [kN]	Weight [kg]	Angle of inclination degree (w1/w2)	Length [mm]	Order no.
SK-S 36.20 VW	140	20	152,3	144	6.5° / 7.2°	V=462,5	662131050
SK-S 36.20 VW	140	20	152,3	144	6.5° / 7.2°	V=437,5	662131060
SK-S 36.20 VW	160	20	152,3	146	13° / 15°	V=462,5	662131051
SK-S 36.20 VW	160	20	152,3	146	13° / 15°	V=437,5	662131061
SK-S 36.20 VW	200	20	152,3	150	20° / 23°	V=462,5	662131052
SK-S 36.20 VW	200	20	152,3	150	20° / 23°	V=437,5	662131062
SK-S 36.20 VW	230	20	152,3	153	24° / 30°	V=462,5	662131053
SK-S 36.20 VW	230	20	152,3	153	24° / 30°	V=437,5	662131063

Dimensions



Spare Parts SK-S 36.20 VW

Repair kits also apply to SK-S 36.20 W



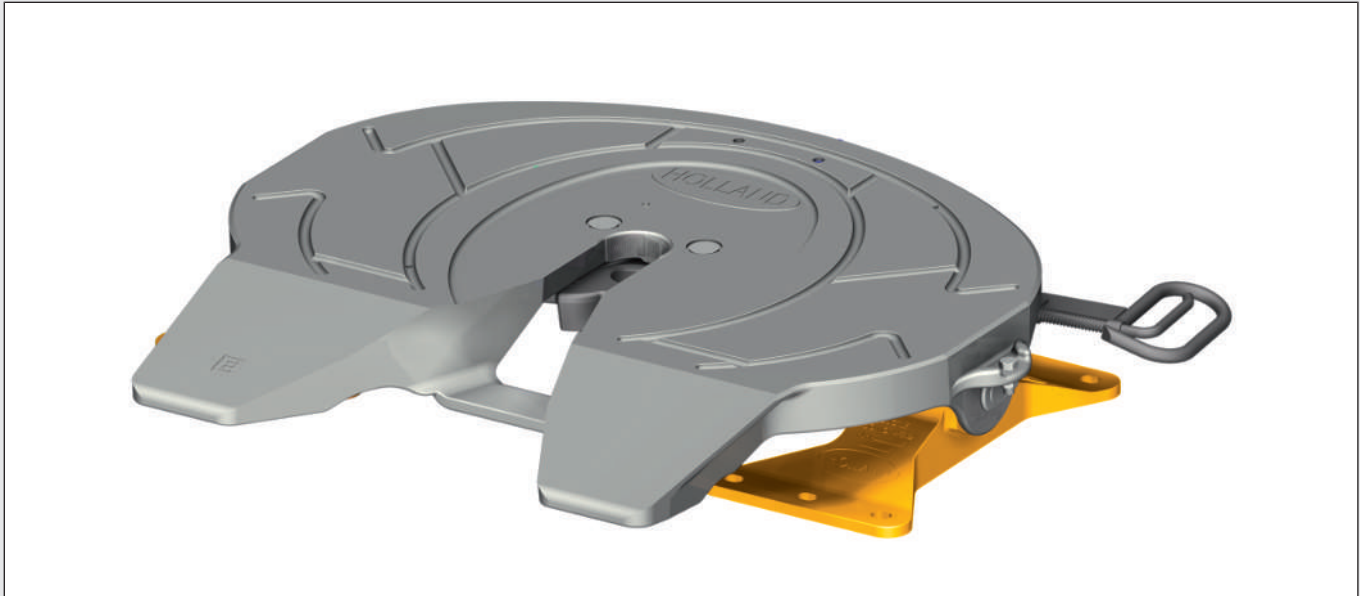
Item	Component	Dimensions	Serial no.	Pcs.	Order no.
	Repair kit for wear plate (38, 39)				662101469
	Repair kit locking mechanism and bearings (9, 10a, 10b, 10d, 11, 12, 13, 15, 18, 21, 21a, 23)				662101516
	Repair kit locking mechanism (9, 10a, 10b, 10d, 11, 12, 18, 21, 21a)				662101517
	Repair kit bearing				662101518
	Repair kit wear ring				662101534
	Mounting kit for fifth wheel plate (W) without mounting bracket (13, 14, 15, 23, 38, 39)				662101738
	Repair kit Operating handle			1	662101746
	Repair kit locking hock (10, 10b, 10c, 10d, 19a, 36)			1	662101747
	Repair kit locking (A) (19a, 34)			1	662101748

Item	Component	Dimensions	Serial no.	Pcs.	Order no.
	Repair kit locking (K) (17, 19a, 28, 35)			1	662101749
	Repair kit Return spring (16, 16a)			1	662101751
	Repair kit sensor**				662129493
	Repair kit locking mechanism** (Page 158)				662101770
	Repair kit locking mechanism and bearings** (Page 158)				662101771
	Coupling plate (W) without mounting bracket (assembly kit necessary)				662131002
1	Coupling plate (W) without mounting bracket (assembly kit necessary)			1	662131571
2*	Operating handle		13000 - ...	1	662129166
2a	Adjustment plate		13000 - ...	1	662129158
2b	Hex-screw	M8x16	13000 - ...	2	659112371
3a	Mounting angle*	140mm		1	662129362
3b	Mounting angle*	140mm		1	662129363
4a	Mounting angle*	160mm		1	662129364
4b	Mounting angle*	160mm		1	662129365
6a	Mounting angle*	200mm		1	662129366
6b	Mounting angle*	200mm		1	662129367
7a	Mounting angle*	230mm		1	662129368
7b	Mounting angle*	230mm		1	662129369
9	Coupler jaw cpl.			1	662131107
10	Locking hook			1	662129156
10a	Stopper			1	662129381
10b	Locking plate			1	662129387
10c	Bush			1	662129374
10d	Hex socket head screw	M20x40		1	662129600
11	Pin			1	662129375
12	Wear ring			1	662131114
13	Rubber damping			2	662114110
14	Tensioning bar			2	662129388
15	Bearing insert			2	662130101
16	Return spring			1	662126411
16a	Return spring			1	662129317
18	Hex-screw	M10x25	0 - 12999	2	659112372
19a	Hex socket head screw	M10x20	13000 - ...	7	659112359
20	U-washer	Ø10		1	662126175
21	Circlip			1	659100027
21a	Supporting washer			1	659100026
23	Hex-screw	M20x70		4	659112365
24	Identification plate			1	659120380
26	Groove pin	3x8		2	662126173
29	Lubrication tube complete	L=410	0 - 35177	1	659144106
29	Lubrication tube complete	L=495	35178 - ...	1	659144146
31	Adaptor			1	659144140
32	Grease nipple	M8x1	0 - 12999	1	662126224
34	Automatic latch			1	662129153
36	Guide			1	662129144
38	Slider			1	662131103
39	Flange screw			12	662130114
	Lubrication tube complete (29, 31) (not shown)				659144146

* Mounting angles are required in pairs, consisting of a+b in the requested height. The indicated measure V is measured during mounting of the brackets on the right hand side in driving direction. A reversal of the mounting angles increases or decreases the coupling point by 25 mm.

** This repair kit is only suitable for sensor fifth wheels fitted with the Volvo/Renault sensor system. The control unit and display in the cab are not SAF-HOLLAND products.

FW3510



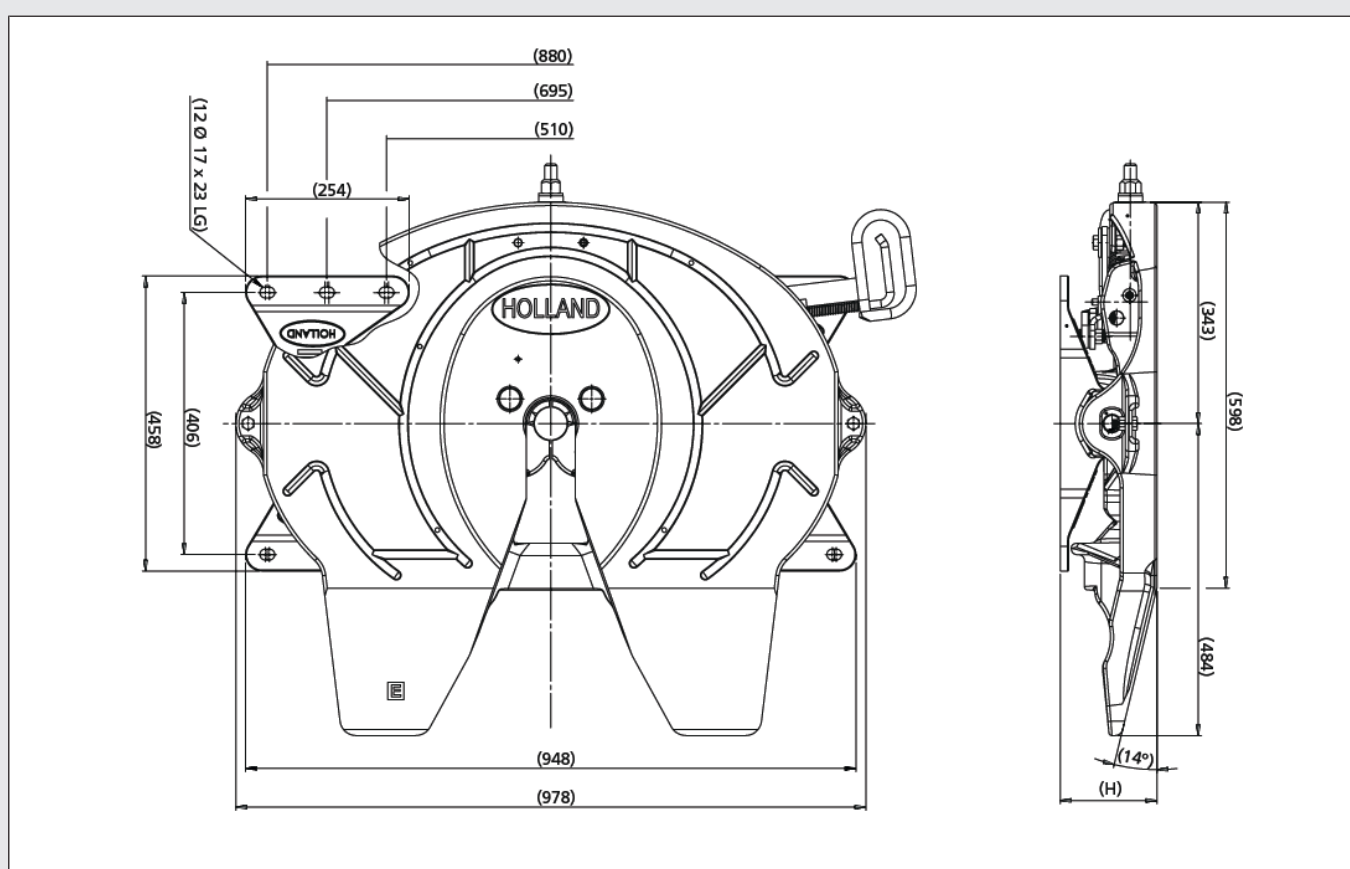
- Bracket mounting
- Available with optional ILS-Slider (Page 136)
- Approved for forced steering
- ECE Type Approval no: E11 55R-01 6172

Technical Data

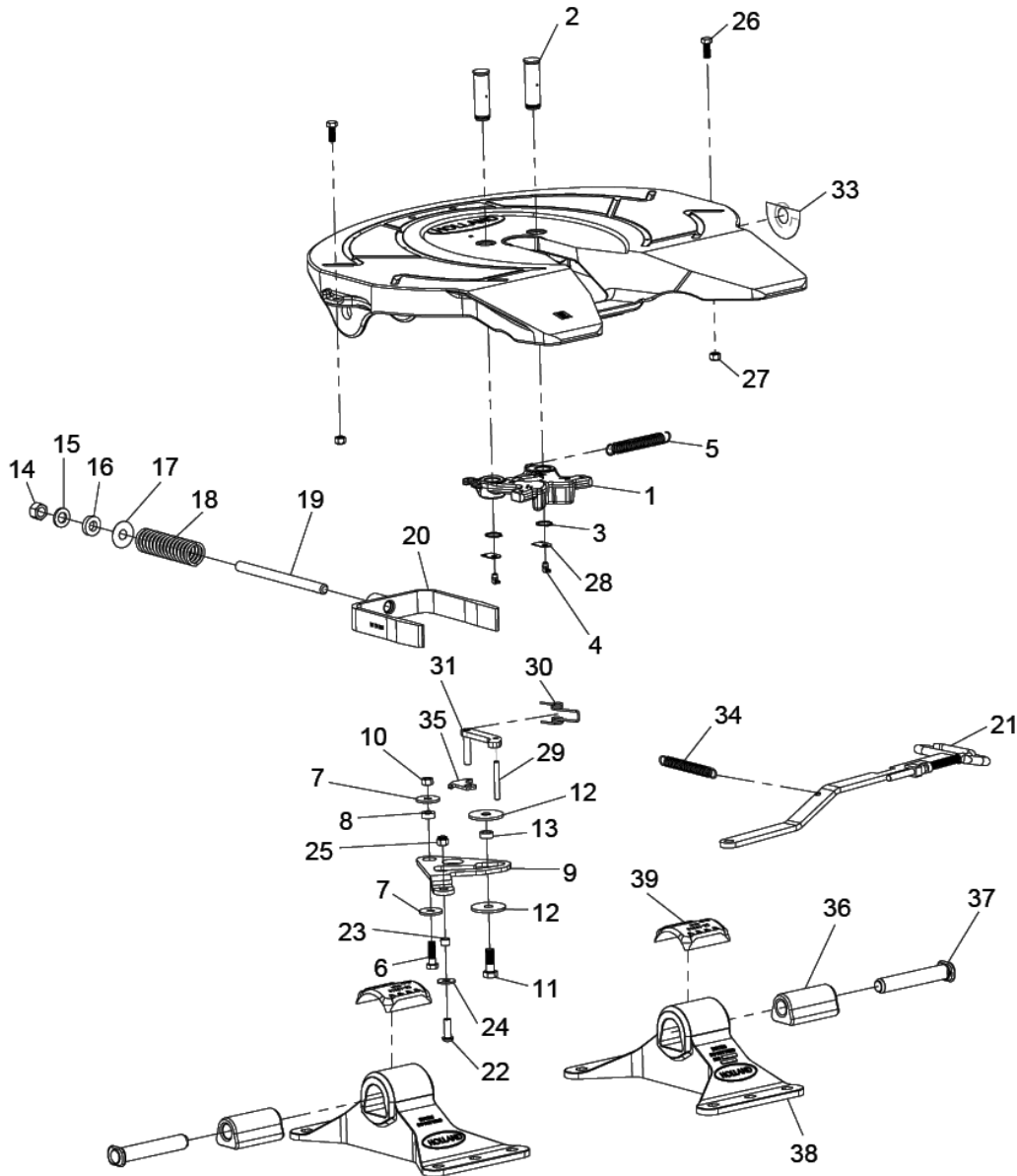
Type	Overall height [mm]	Imposed load [t]	D-value [kN]	Weight [kg]	Order no.
FW3510	150	23	175	135	FW3510-150
FW3510	180	23	175	139	FW3510-180
FW3510	200	23	175	142	FW3510-200

Add suffix -XL on order number for version with long handle

Dimensions



Spare Parts FW 3510



Item	Component	Dimensions	Pcs.	Order no.
	Repair kit fifth wheel cpl.			RK-3510-R
	Repair kit locking mechanism (1, 2, 3, 4)			RS-91089
	Repair kit anchor pin / rubber (26, 27, 36, 37)			RS-91086
	Repair kit anchor pin / rubber (26, 27, 36, 37, 39)			RS-91086-1
	Repair kit anchor pin / bush kit (26, 27, 36A, 37, 39, 40A)			RS-91131-1
	Repair kit operating handle (21, 34, 35)			RS-91093
	Repair kit operating handle - long (21, 34, 35)			RS-91098
	Repair kit			RS-91110
	Coupling plate without mounting bracket			FW3510-TP

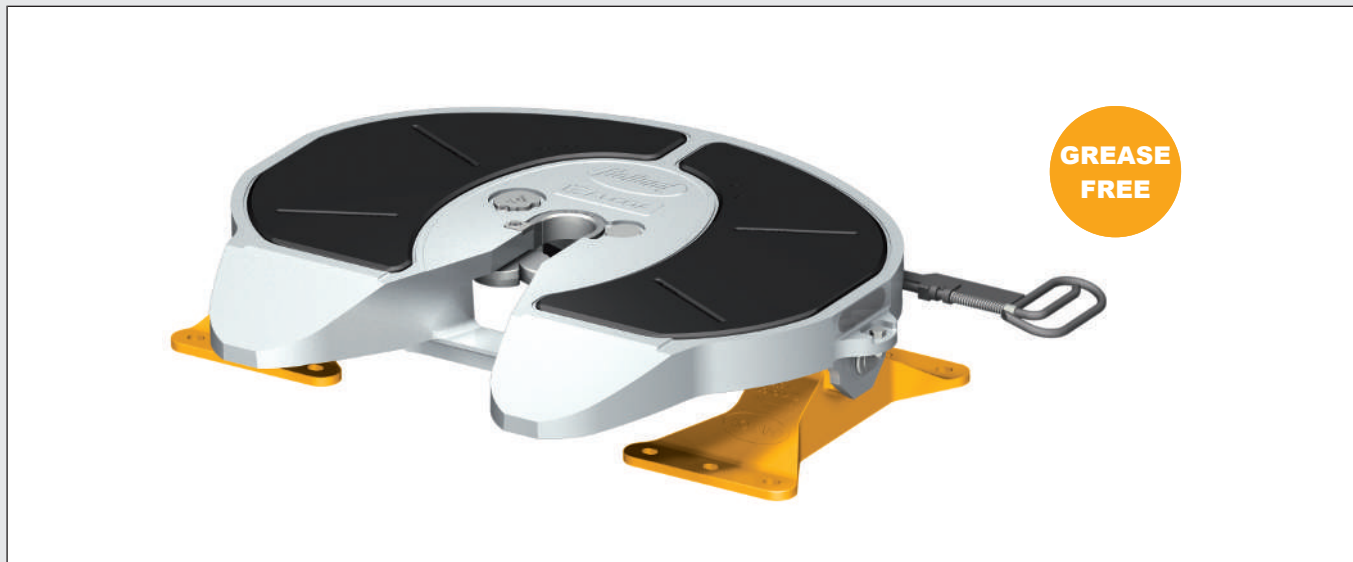
Item	Component	Dimensions	Pcs.	Order no.
1	Lock jaw kit		1	XA-07296-KTL
2	Lock pin		2	XA-07292-82
3	Circlip	27x1,2	2	38027
4	Grease nipple	M10x1	2	38028
5	Spring		2	XB-07628-KTL
6	Hex socket head screw	M12x50	1	31036
7	Washer		2	XB-76004
8	Bush		1	XA-1029
9	Cam plate		1	XA-07150-R-P
10	Hex-nut	M12	1	32001
11	Hex-screw		1	XB-CX-58-F-134
12	Washer (Knorr)		2	XB-07431
13	Cam roller		1	XA-1507
14	Hex-nut		1	XB-HNH-34-F
15	Washer	M20	1	33034
16	Rubber washer		1	XB-1127
17	Instruction plate		1	XB-02312-1
18	Spring		1	XB-1505-P
19	Yoke shaft		2	XA-1706-ST
20	Yoke		2	XA-07295-P
21	Standard handle		2	XA-09437
	Operating handle		1	XA-09752
22	Hex socket head screw	M12x40	1	31040
23	Bush		1	XA-03082
24	Washer		1	33031
25	Hex-nut	M12	2	32001
26	Hex socket head screw	M12x30	2	31041
27	Hex-nut	M12	2	32001
28	Holder for lubrication tube		1	XA-E-60234
29	Spiral pin		1	XB-21-S-500-2750
30	Spring, Torsion		1	XB-2149-P
31	Lock bar		4	XA-3542-R-P
32	Grease nipple	M10x1	1	38009
33	Instruction plate		2	XB-07610
34	Return spring		1	XB-05679-2
35	Sprinh holder		1	XA-09645
36	Rubber bush		2	XB-0011-3
36a	Rubber bush		1	XB-10605
37	Bearing bolt		1	XE-06356-KTL
38	Mounting bracket	150mm	2	XD-04942-KTL
38	Mounting bracket	180mm	2	XD-04943-KTL
38	Mounting bracket	200mm	2	XD-04944-KTL
38a	Mounting bracket	180mm - 06.2007-12.2011	2	XD-04943-S-KTL
39	Pocket Insert		1	XB-10210
40	Rubber washer		1	XB-60144
40a	Rubber washer	für 38A, for 38A	2	XB-10605-RW

Pocket inserts: Used on all fifth wheels from February 2002 on

Note: Grease fitting item 32 not required on units fitted with pocket inserts.

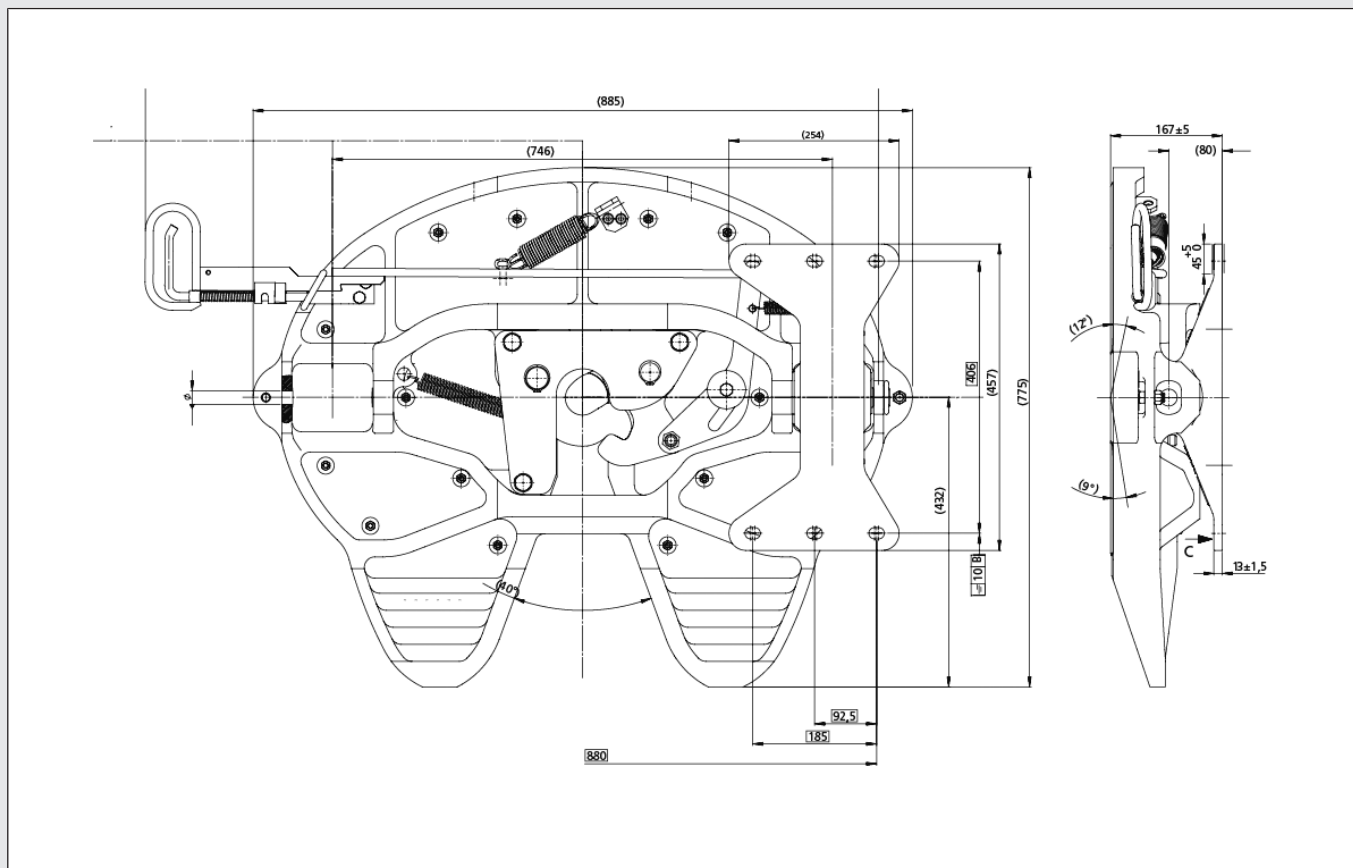
Notes

FWAL-E

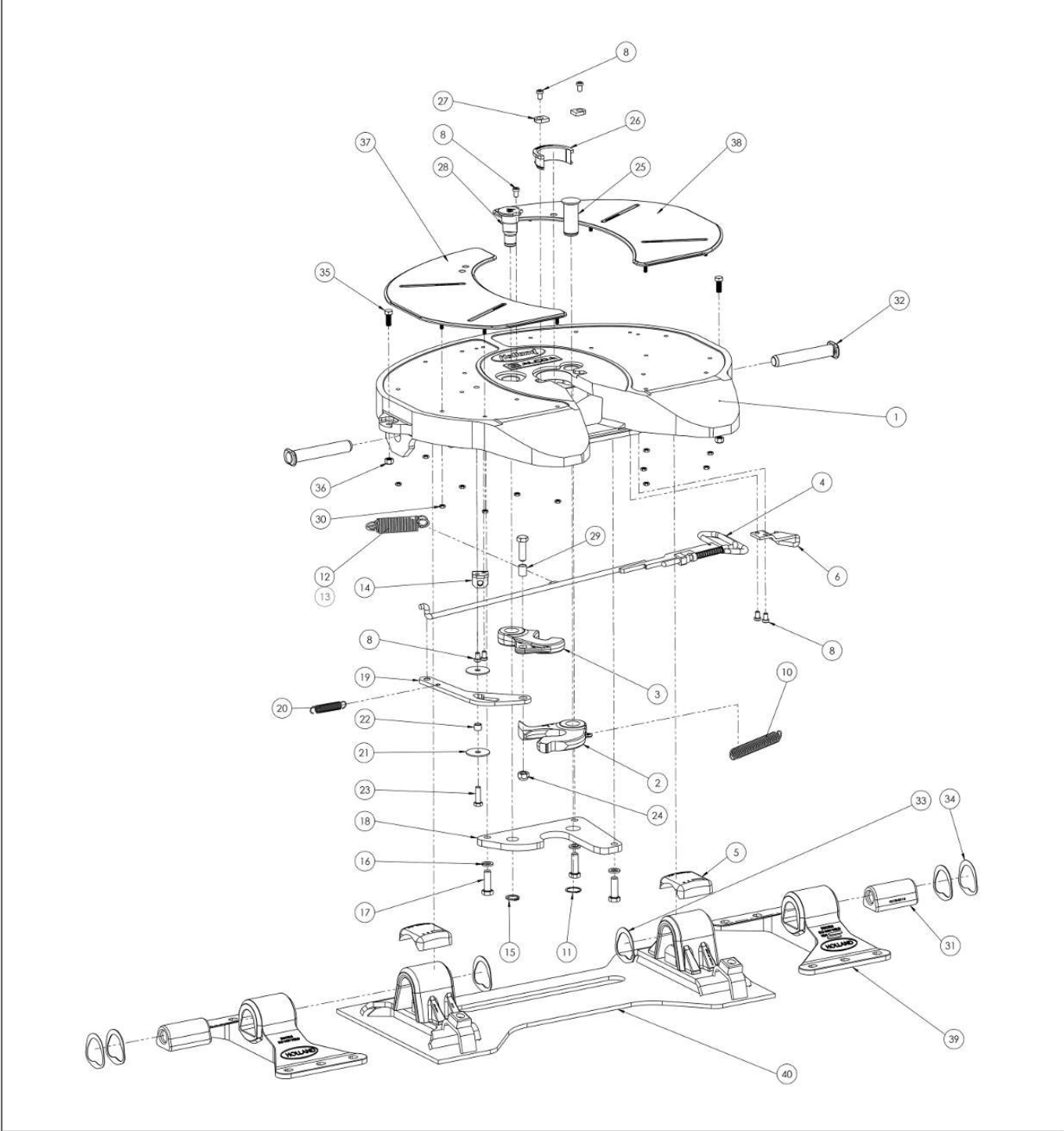


- Imposed load: 20 t
- D-value: 150 kN
- ECE Type Approval no: E11-55R-016168
- Lock size: 2 Inch

Dimensions



Spare Parts FWAL-E



Item	Component	Dimensions	Pcs.	Order no.
	Repair kit fifth wheel cpl. (2, 3, 4, 9, 10, 11, 12, 13, 15, 17, 19, 20, 21, 22, 24, 25, 26, 27, 28, 29)			RK-AL-A-E
	Repair kit wear ring (9, 26, 27)			RK-AL-10680
	Repair kit locking mechanism (2, 3, 9, 10, 11, 15, 25, 26, 27, 28)			RK-AL-10486
	Repair kit for wear plate (30, 37, 38)			RK-331-1
	Repair kit operating handle (4, 12, 13)			RK-AL-10681
	Bracket pins / Rubber bush kit (5, 31, 32, 33, 35, 36)			RK-AL-0011-3
	Coupling plate without mounting bracket			FWAL-E-TP
1	Cam plate		1	XA-AL-R
2	Coupler jaw		1	XA-10486-E-P
3	Lock hook		1	XA-10487-P
4	Operating handle		1	XA-10681
5	Pocket Insert		2	XD-10923
6	Guide-/lever		1	XA-11082
8	Hex socket head screw	M10x25	4	31008
10	Return spring		1	XB-05843-1P
11	Circlip		1	XB-05855
12	Return spring - inside		1	XB-10489-P
13	Return spring - outside		1	XB-10490-P
14	Sprinh holder		1	XA-11083
15	Circlip		1	XB-08905
16	Spring washer	M16	3	XB-LW-M16-Z
17	Hex socket head screw	M16x50	3	XB-HCS-M16-50-Z
18	Brake cylinder support		1	XA-11038
19	Release cam		1	XA-10483-AL
20	Return spring		1	XB-10563-1-P
21	Washer		2	XA-10294
22	Bush		1	XA-10810
23	Hex socket head screw	M12x40	1	31039
24	Hex-nut		1	XB-HLN-M16-Z
25	Lock pin		1	XA-06344-AL
26	Wear ring		1	XD-10680-P
27	Holder plate		1	XA_10706-1-KTL
28	Adjustment Pin		1	XA-10364-3-AL-P
29	Spacer		1	XA-11248
30	Hex-nut	M8	18	XB-08931
31	Rubber bush		2	XB-0011-3
32	Bearing bolt		2	XE-06356-P
33	Clevis crossbar	1mm	2	XB-60144-S2
34	Clevis crossbar	2mm	4	XB-60144-S3
35	Hex socket head screw	M12x30	2	31041
36	Hex-nut	M12	2	32001
37	Wear plate left		1	XA-08125-L
38	Wear plate right		1	XA-08125-R
39	Mounting bracket	165mm	2	XD-04942-KTL
39	Mounting bracket	195mm	2	XD-04943-KTL
39	Mounting bracket	200mm	2	XD-04944-KTL
40	On Request			

Recolube



Vehicles built from April 1, 2017 and from on-board computer version ZBR E8, are equipped with the device required to control the pump.

ALWAYS A RELIABLE COMBINATION – MAN AND SAF-HOLLAND

It is essential that you can rely 100 % on your fifth wheels. They are one of the most important components of a vehicle. SAF-HOLLAND develop and produce innovative, safe and high-quality components that meet the individual specifications of MAN's customers. High-precision manufacturing and strict controls ensure that the high quality standards of both partners are met.

In collaboration with MAN, SAF-HOLLAND responds individually to all sorts of specific and diverse customer requirements : Whether being used in light trucks, heavy all-terrain transport or for abnormal loads – the SAF HOLLAND fifth wheel is the **perfect solution for any transport task**. Its very low system weight and exceptionally long service life and exemplary low maintenance costs contribute significantly to the economic efficiency of the entire vehicle.

ADVANTAGES OF THERECOLUBE GREASE DISPENSER:

- No need for regular manual lubrication
- **Environmentally friendly, optimised lubrication** thanks to automatic dosage
- **High pump capacity** guarantees functionality even in difficult conditions and at low temperatures
- Grease supply sufficient for **1 year of operation** or **100 000 km**
- **Refilling via lubrication nipple** using standard cartridge gun
- **Functionality and fill-level monitoring** via vehicle display

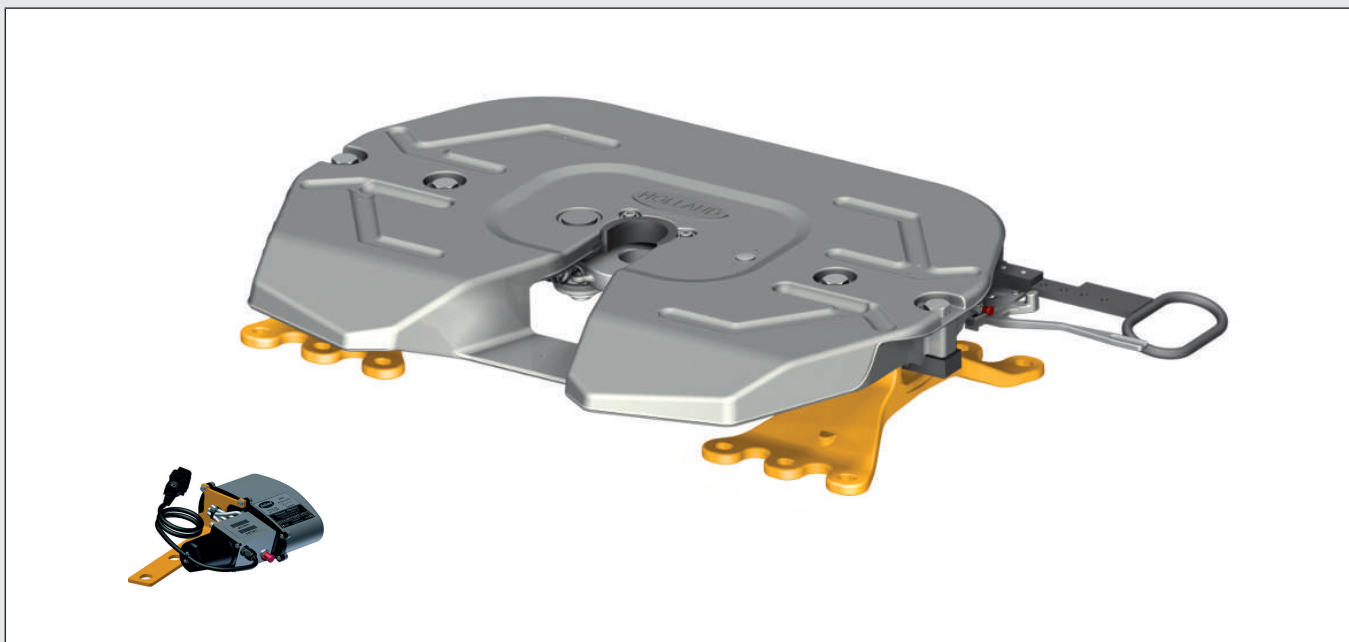
RECOLUBE POWER SKX 372



This high-performance lubricant is ideal for the automatic lubrication of fifth wheels – both at very low and very high temperatures. The special lubricant is capable of withstanding extreme loads, is exceptionally resistant to water and at the same time offers excellent protection against corrosion.

SK-S 36.20

With Recolube



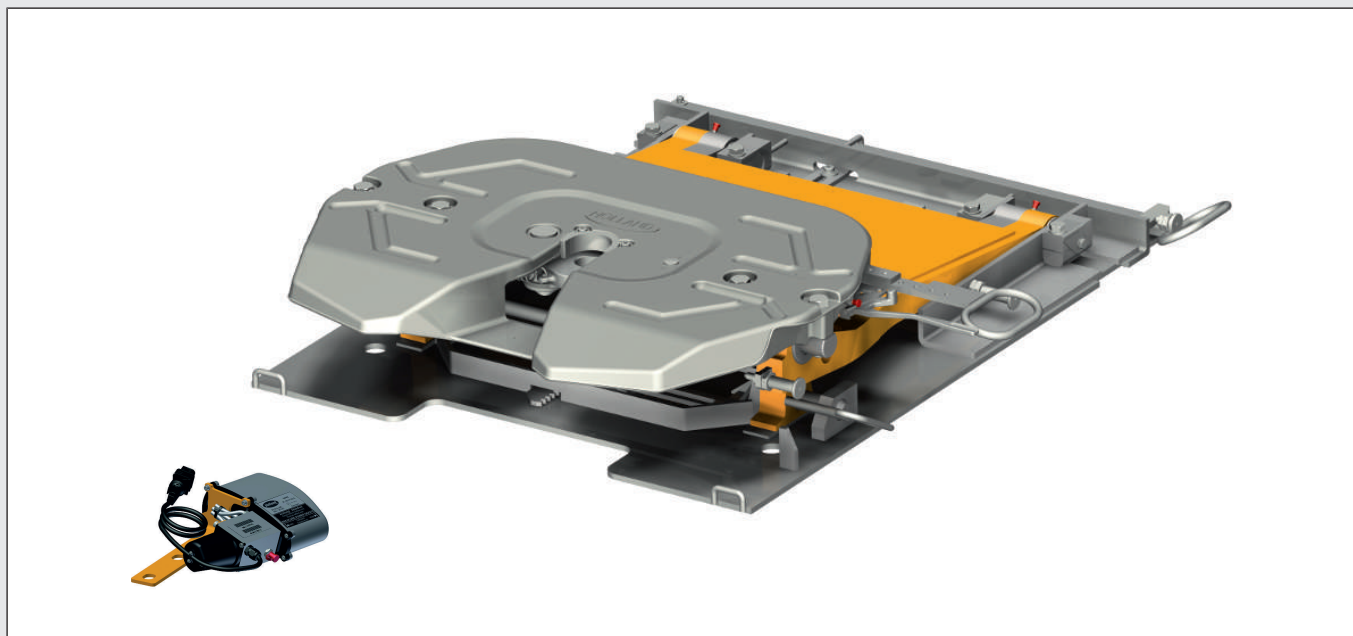
- Five separate pump elements with high output pressure
- Controlled from vehicle's central on-board computer
- Electronic fill-level monitoring in vehicle display
- Monitoring of functions in vehicle display
- Mounted on mounting bracket

Technical Data

Type	Lock size [Inch]	Overall height [mm]	Weight [kg]	MAN Order Code	MAN Part No.	Order no.
SK-S 36.20 Recolube	2	128	119	-	-	662129550
SK-S 36.20 Recolube	2	150	120	491PA	81.42710-6317	662129551
SK-S 36.20 Recolube	2	185	125	491PC	81.42710-6301	662129552
SK-S 36.20 Recolube	2	225	126	-	-	662129553
SK-S 36.20 Recolube	2	250	135	491PF	81.42710-6318	662129554

SK-S 36.20 H

Dual Duty Fifth Wheel, with Recolube



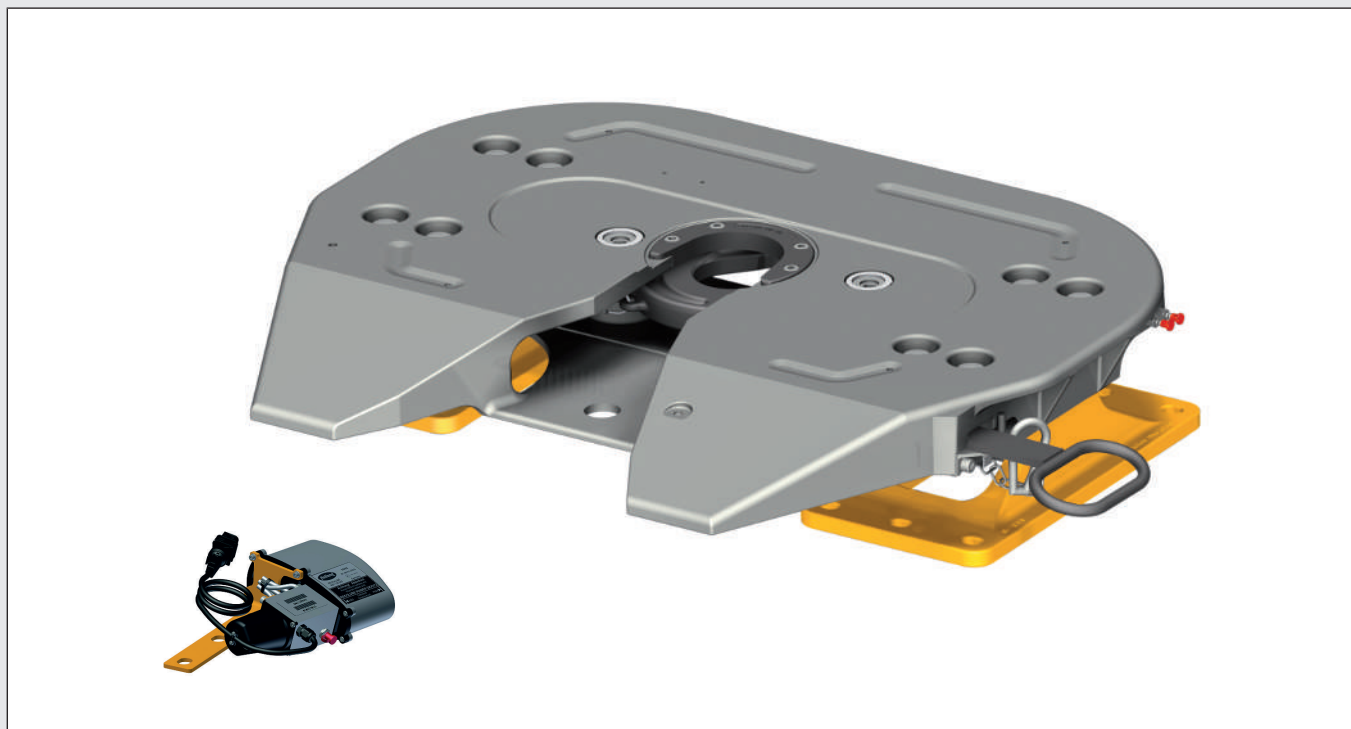
- Extremely robust and user friendly
- Weight optimised model
- Adjustable coupling height
- Simple wear adjustment
- Approved for forced steering

Technical Data

Type	Lock size [Inch]	Overall height [mm]	Weight [kg]	MAN Order Code	MAN Part No.	Order no.
SK-S 36.20 Recolube	2	167-317	333	491HM	81.42710-6327	662132893E

SK-HD 38.36

With Recolube



- Permanent, maintenance-free bearings
- Conversion from 3.5" to 2" and vice versa possible
- Simple adjustment of locking mechanism
- Suitable for steering wedge applications

Technical Data

Type	Lock size [Inch]	Overall height [mm]	Weight [kg]	MAN Order Code	MAN Part No.	Order no.
SK-HD 38.36 Recolube	2	190	194	491NP	81.42710-6321	662111034
SK-HD 38.36 Recolube	3.5	190	193	491PP	81.42710-6320	662111032

Spare Parts Recolube



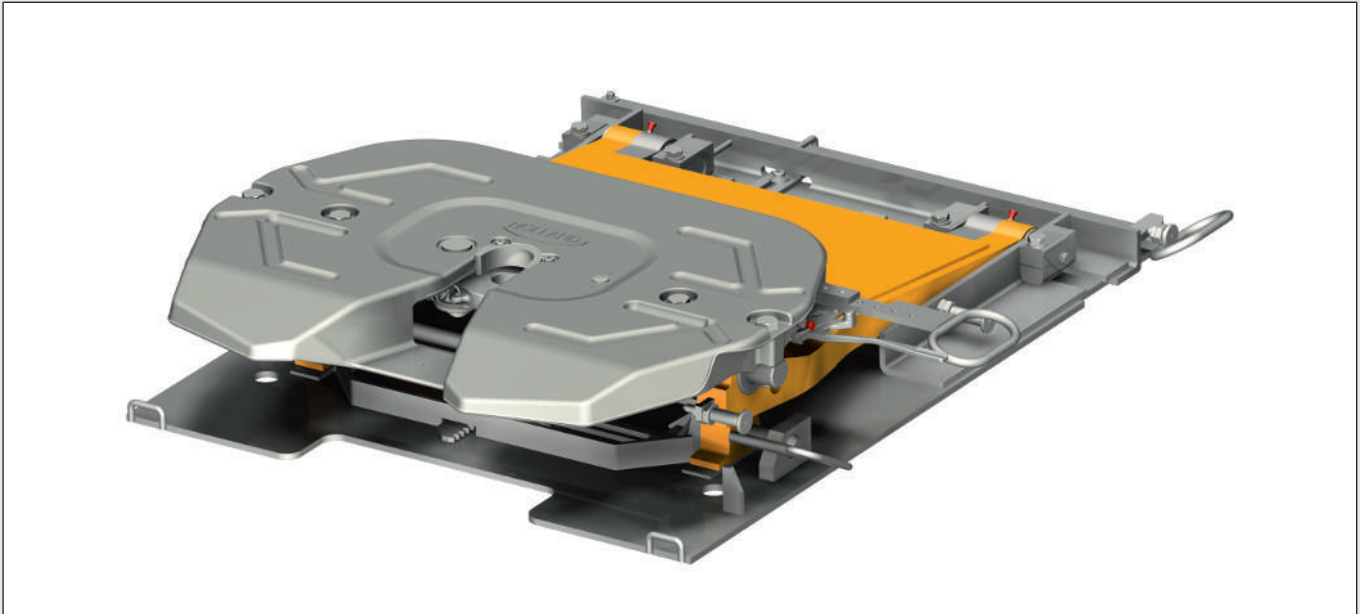
Only for MAN-versions Recolube can be used

Technical Data

FW type	Name	Content	MAN Part No.	SAF Part No.
SK-S 36.20 SK-HD 38.36	RECOLUBE lubrication pump	RECOLUBE lubrication pump with lubrication lines without bracket	81.49101-6081	662 101 781
SK-S 36.20 H	RECOLUBE lubrication pump	RECOLUBE lubrication pump without lubrication lines, without bracket	81.49101-6083	662 101 783
SK-S 36.20	bracket	with screws and washer 3 x M4 x 20 2 x M6 x 20	81.49120-0049	662 101 784
SK-HD 38.36	bracket	with screws and washer 3 x M4 x 20 2 x M6 x 20	81.49120-0050	662 101 785
SK-S 36.20 H	bracket + screw kit	1 x bracket + 2 x M10 x 20 + 2 x washer	81.49120-0051	662 101 787
SK-S 36.20 SK-HD 38.36 SK-S 36.20 H	grease tube pre-filled	2 m tube + 3 push-fit plug D6	81.49501-0067	662 101 786
SK-S 36.20 SK-HD 38.36 SK-S 36.20 H	Holland RECOLUBE POWER SKX 372 refill grease	2 x 400 g cartridge	09.15014-0044	662 101 788
SK-S 36.20 SK-HD 38.36 SK-S 36.20 H	Holland RECOLUBE POWER SKX 372 bulk pack grease	25 kg bucket	09.15014-0043	662 101 789
SK-S 36.20 H	Lubrication kit (only for RECOLUBE)	Lubrication kit with grease tubes	-	662 132 043

SK-S 36.20 H

Dual Duty Fifth Wheel



- Approved for forced steering
- ECE Type Approval no: E11 55R-01 1381

Ordering Instructions

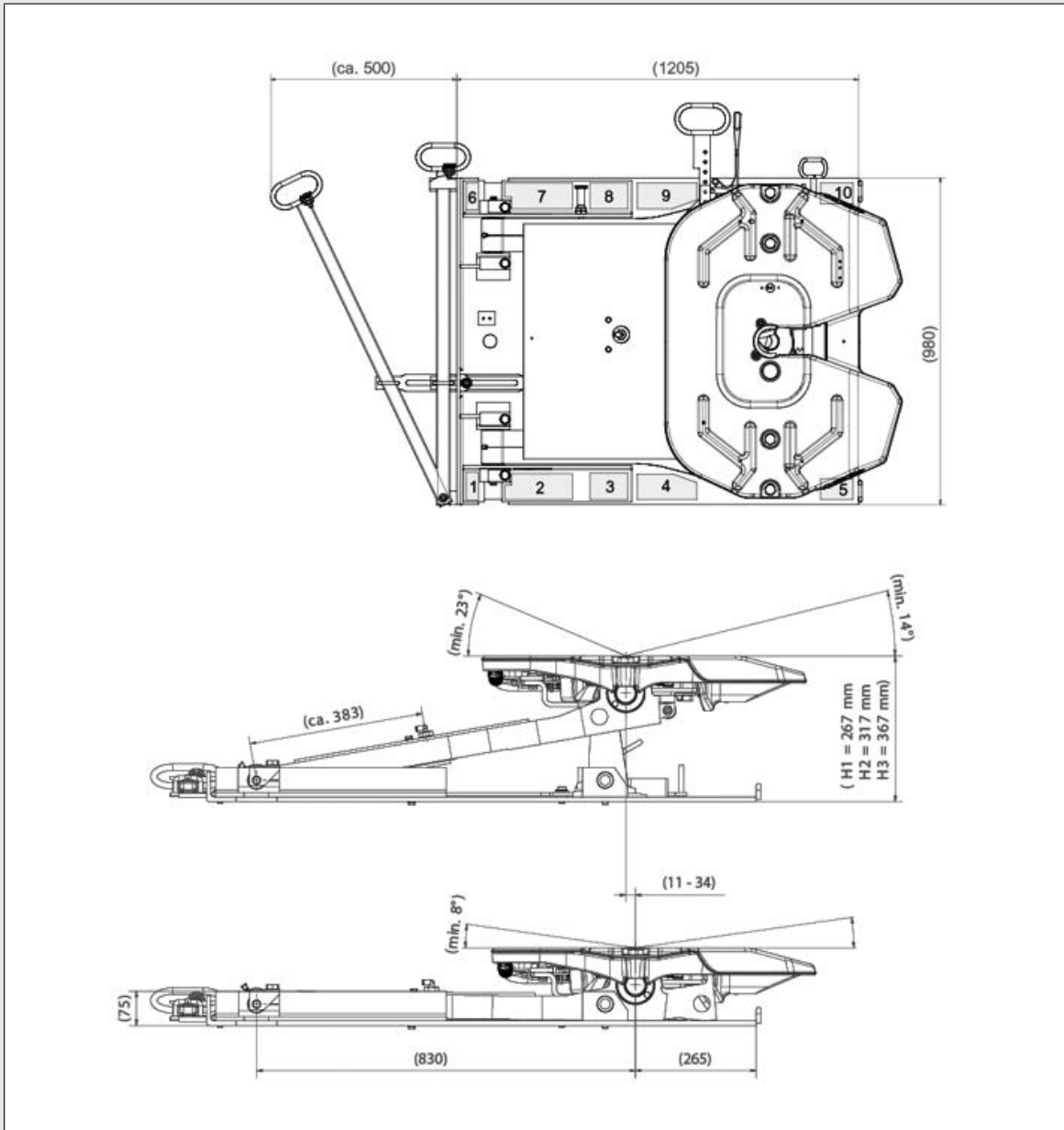
- The standard versions listed are not pre-drilled
- Hole patterns for vehicle mounting* are available on request for DAF, Iveco, MAN, Mercedes-Benz Trucks, Renault, Scania, and Volvo, among others.
- Please specify the tractor vehicle brand when placing your order.
- The use of SAF-HOLLAND mounting kits is recommended for mounting the dual-height fifth wheel.
- SAF-HOLLAND height-adjustable fifth wheels are suitable for 4 x 2 tractor units factory-equipped with a mounting angle for mounting the adjustable height fifth wheel. Other vehicles must be assessed on a case-by-case basis.
- The dual-duty fifth wheel is designed for the use with 4 x 2 Lowliner semitrailer tractors for volume transport.
- The dual-duty fifth wheel is not suitable for tank, silo and tipper vehicles.
- The dual-duty fifth wheel is not suitable for off-road use.
- Dual-duty fifth wheels are mounted directly onto the vehicle subframe without a mounting plate. The subframe must be designed for lift SK mounting. If not all holes are available in the subframe, these must be drilled by the customer.
- Pre-drilled dual-duty fifth wheels are mounted in the lowered position with the standard fifth wheel lead recommended by the vehicle manufacturer. All drilled holes must be used (see assembly instructions).

* The hole patterns for vehicle mounting comply with the EURO standard fifth wheel lead that is specified by the vehicle manufacturers, and recommended in member states of the EU for fifth wheel mounting when the dual-height fifth wheel is in the lowered position. In a 2-axle tractor vehicle, the standard fifth wheel lead is the distance from the middle of the rear axle to the middle of the kingpin.

Technical Specifications

- Movement around lateral axis at basic height 6°
- Operation: adjustable by means of the tractor's compressed air system with pneumatic support (air bellows)
- In raised position, fifth-wheel lead increased by: 11 mm [267] / 24 mm [317] / 34 mm [367]

Dimensions



- The fixing holes may be drilled in these 10 areas
- Increase number of bolts accordingly when using bolts with a smaller diameter

Subject to modifications in dimensions and design

Technical Data

Standard Model / Mounting width up to 930 mm

Type	Overall height [mm]	Imposed load [t]	D-value [kN]	Weight [kg]	Dimensions [mm]	Order no.
SK-S 36.20 H	167-267	15	110	320	1205x980	662132311Z
SK-S 36.20 H	167-317	15	110	324	1205x980	662132312Z
SK-S 36.20 H	167-367	15	110	328	1205x980	662132313Z

Standard Model / Mounting width over 930 mm

Type	Overall height [mm]	Imposed load [t]	D-value [kN]	Weight [kg]	Dimensions [mm]	Order no.
SK-S 36.20 H	167-267	15	110	322	1205x1010	662142311Z
SK-S 36.20 H	167-317	15	110	326	1205x1010	662142312Z
SK-S 36.20 H	167-367	15	110	330	1205x1010	662142313Z

Mounting Kit

Mounting	Dimensions	Order no.
Scania	3550	662101776
Scania	3700	662101777
Ford		662101790

Fixing Kits SK-S 36.20 H

Standard Model

Type	Mounting	Model	Order no.
725	Mercedes Benz, Australia, New Zealand	12xM20	662101725
726	IVECO, MAN, DAF	14xM16	662101726
727	RVI Renault	12xM16	662101727
728	Volvo	20xM14	662101728
729	Scania	14xM18	662101729

Manufacturer-specific standard model lubricated

Type	Overall height [mm]	Imposed load [t]	D-value [kN]	Weight [kg]	Dimensions [mm]	Order no.
MAN						
SK-S 36.20 H	167-267	15	110	320	1205x980	662132605E
SK-S 36.20 H	167-317	15	110	324	1205x980	662132606E
SK-S 36.20 H	167-367	15	110	328	1205x980	662132607E
Mercedes-Benz						
SK-S 36.20 H*	167-267	15	110	320	1205x980	662132405S
SK-S 36.20 H*	167-317	15	110	324	1205x980	662132406S
SK-S 36.20 H*	167-367	15	110	328	1205x980	662132407S
SK-S 36.20 H**	167-267	15	110	322	1205x1010	662142805S
SK-S 36.20 H**	167-317	15	110	326	1205x1010	662142806S
SK-S 36.20 H**	167-367	15	110	330	1205x1010	662142807S
Scania***						
SK-S 36.20 H	167-267	15	110	320	1205x980	662132505D
SK-S 36.20 H	167-317	15	110	324	1205x980	662132506D
SK-S 36.20 H	167-367	15	110	328	1205x980	662132507D
Iveco						
SK-S 36.20 H	167-267	15	110	320	1205x980	662132555Z
SK-S 36.20 H	167-317	15	110	324	1205x980	662132556Z
SK-S 36.20 H	167-367	15	110	328	1205x980	662132557Z
DAF						
SK-S 36.20 H	167-267	15	110	320	1205x980	662132705T
SK-S 36.20 H	167-317	15	110	324	1205x980	662132706T
SK-S 36.20 H	167-367	15	110	328	1205x980	662132707T
Volvo / Renault D & T Modell****						
SK-S 36.20 H	167-267	15	110	320	1205x1010	662142458Z
SK-S 36.20 H	167-317	15	110	324	1205x1010	662142459Z
SK-S 36.20 H	167-367	15	110	328	1205x1010	662142460Z
Renault Magnum						
SK-S 36.20 H	167-267	15	110	322	1205x980	662132755Z
SK-S 36.20 H	167-317	15	110	326	1205x980	662132756Z
SK-S 36.20 H	167-367	15	110	330	1205x980	662132757Z
Renault Premium						
SK-S 36.20 H	167-267	15	110	322	1205x980	662132655Z
SK-S 36.20 H	167-317	15	110	326	1205x980	662132766Z
SK-S 36.20 H	167-367	15	110	330	1205x980	662132767Z
Ford						
SK-S 36.20 H	167-317	15	110	326	1205x1010	662142856

* Not compatible with Mercedes-Benz with holes 942-960 mm apart

** Mounting kit mounting angles 662 101 657 included with delivery

*** Additional mounting angle required for vehicle mounting:

for wheel base 3550 mm: 662 101 735 (up to spring 2012)

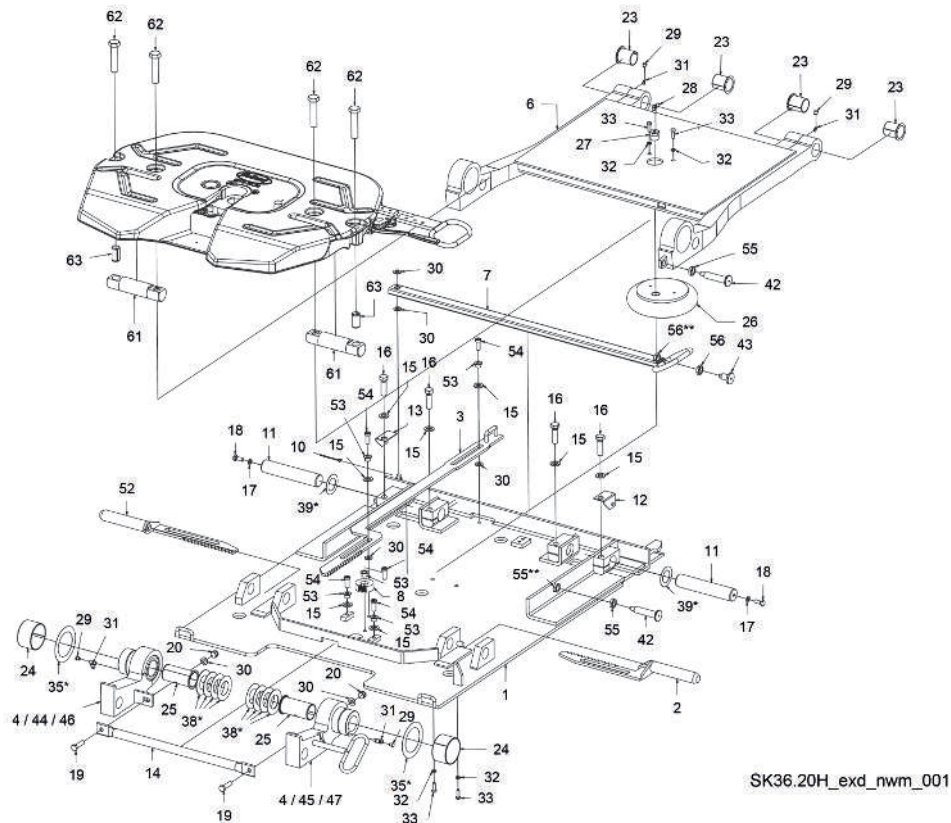
for wheel base 3700 mm: 662 101 734 (up to spring 2012)

for wheel base 3550/3600 mm: 662 101 776 (from spring 2012)

for wheel base 3700/3750 mm: 662 101 777 (from spring 2012)

**** Attention: Drilling pattern Renault D & T model medium duty width 940 mm, single case examination is required

Spare Parts SK-S 36.20 H



Item	Component	Dimensions	Pcs.	Order no.
	Repair kit locking mechanism		1	662101492
	Conversion		1	662101741
	Repair kit air cushion (26, 27, 28, 32, 33)		1	662101742
	Repair kit locking mechanism cpl. (2, 3, 8, 15, 30, 52, 53, 54)		1	662101744
	Repair kit Operating handle		1	662101746
	Repair kit bearing (61, 62, 63)		1	662101758
	Repair kit locking mechanism cpl. (7, 10, 30)		1	662101760
	Repair kit pneumatic valve (48, 49, 50, 57)		1	662101761
	Repair kit Spring plate long (42, 55)		1	662101762
	Repair kit Spring plate short (43, 56)		1	662101763
	Repair kits for rocker bearing (11, 12, 13, 16, 17, 18, 23, 29)		1	662132195
	Repair kits for support bearing (19, 20, 24, 25, 30, 35*, 38*)		1	662132196
	Coupling plate			662132294
	Central lubrication unit (MAN)			662101810
1	Brake cylinder support		1	662132105
2	Lock pin right		1	662132161
3	Actuating rod		1	662132162
4	Support left 100 mm (25, 29, 31)	100mm	1	662132181
5	Support right 100 mm (25, 29, 31)	100mm	1	662132182
6	Rocker cpl.		1	662132165

Item	Component	Dimensions	Pcs.	Order no.
7	Locking lever		1	662132170
8	Toothed wheel		1	662132119
10	Cotter pin		1	662132205
11	Bolt		2	662132110
12	Lock plate right		1	662132111
13	Lock plate left		1	662132155
14	Guide pipe		1	662132120
15	Washer		8	662132206
16	Hex socket head screw	M16x1,5x55	4	662101359
17	Spring washer	F10	2	662132202
18	Hex socket head screw	M10x25	2	662111202
19	Hex socket head screw	M12x30	2	662132211
20	Hex-nut	M12x80	2	659115125
23	Bush	40/44/50	4	662132132
24	Bush	80/85/50	2	662132130
25	Brass bush		2	662132146
26	Air bag	FS200-100	1	662132200
27	Screw		1	662132135
28	90° elbow connector		1	662126493
29	Grease fitting cap		4	659144142
30	Washer	A13	6	662132204
31	Grease nipple	AM8	4	662132214
32	Spring washer		4	662132208
33	Hex socket head screw	M8x25	4	659112657
35*	Compensating disc assembly		2	662132198
38*	Compensating disc assembly		2	662132197
39*	Distance washer kit		2	662132199
42	Spring plate long		2	662132172
43	Spring plate short		1	662132171
44	Support left 150 mm (25, 29, 31)	150mm	1	662132183
45	Support right 150 mm (25, 29, 31)	150mm	1	662132184
46	Support left 200 mm (25, 29, 31)	200mm	1	662132185
47	Support right 200 mm (25, 29, 31)	200mm	1	662132186
48	Holder		1	662132139
49	Control valve	3/2	1	662132156
50	Pneumatic tube		1	662132169
52	Lock pin left		1	662132173
53	Bush		5	662132174
54	Hex-screw	M12x30 8.8	5	659112381
55	Hex-nut	M20x1,5x45	3	659115313
56	Hex-nut	M18X1	2	659115312
57	Hex-nut(not shown)	M28X1,5	1	659115314
61	Spindle		2	662132292
62	Hex-screw	M20X90	4	659112627
63	Spring pin	25x45	2	662132293

35* Set contains spacers D 116 x 80 x 0.5 / D 116 x 80 x 1 / D 116 x 80 x 2

38* Set contains spacers D 80 x 45.5 x 0.5 / D 80 x 45.5 x 1 / D 80 x 45.5 x 2

39* Set contains spacing washers D 65 x 40.5 x 0.5 / D 65 x 40.5 x 1 / D 65 x 40.5 x 2

SK-HD 38.36

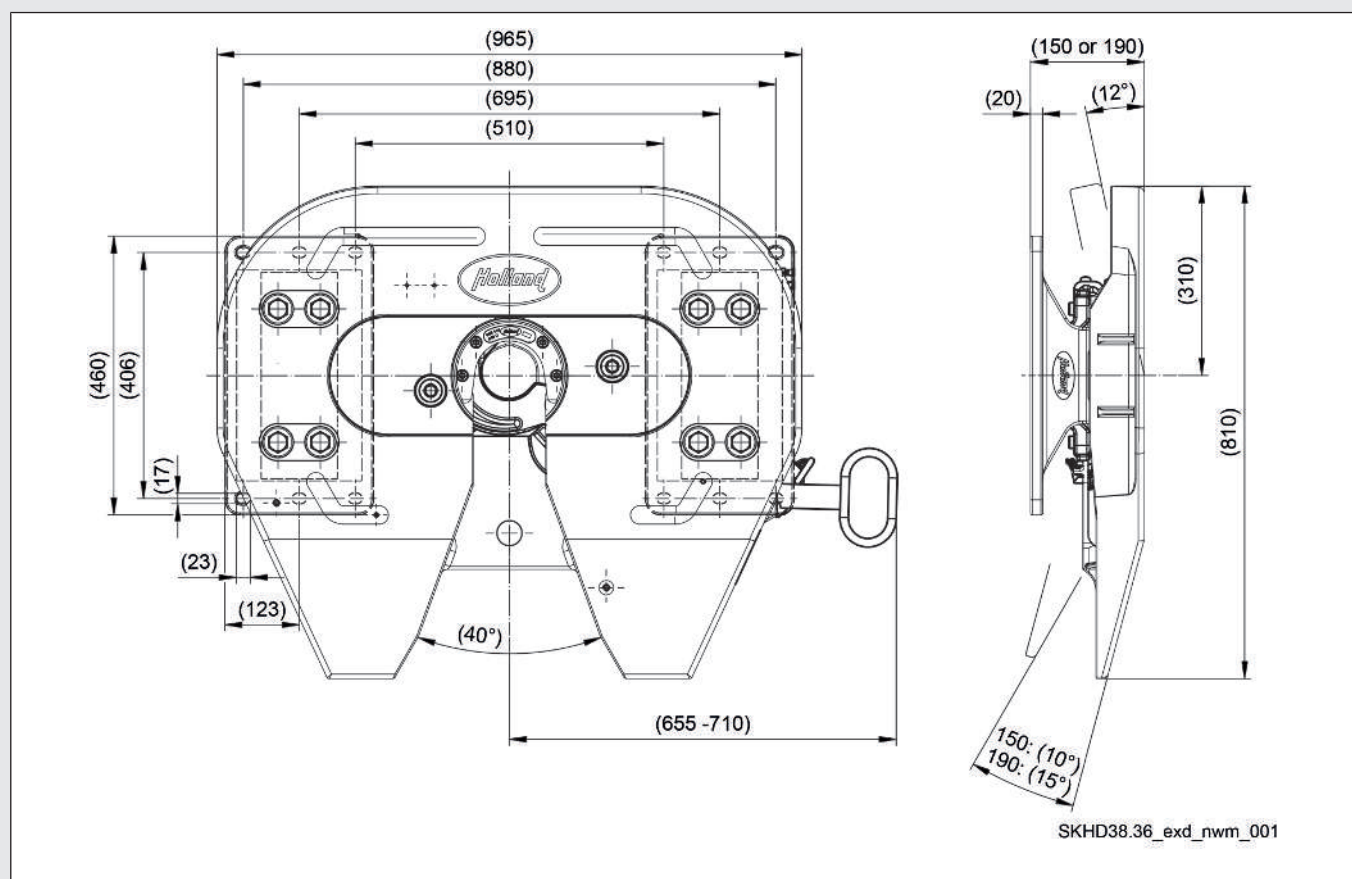


- Conversion from 2" to 3½" and vice versa possible
 - Conversion kit from 3½" to 2" : 662 101 704
 - Conversion kit from 2" to 3½" : 662 101 705
- Approved for forced steering
- Available with optional slider or also in an off-road version with gimbal mounting
- ECE type approval no.: E11-55R-01 8550 (2")
- ECE type approval no.: E11-55R-01 8549 (3½")

Technical Data

Type	Lock size [Inch]	Overall height [mm]	Imposed load [t]	D-value [kN]	Weight [kg]	Angle of inclination degree (w1/w2)	Order no.
2"							
SK-HD 38.36	2"	150	23	162	185	10° / 10°	662111085
SK-HD 38.36	2"	190	23	162	185	15° / 12°	662111074
3,5"							
SK-HD 38.36	3.5"	150	36	260	185	10° / 10°	662111065
SK-HD 38.36	3.5"	190	36	260	185	15° / 12°	662111066

Dimensions

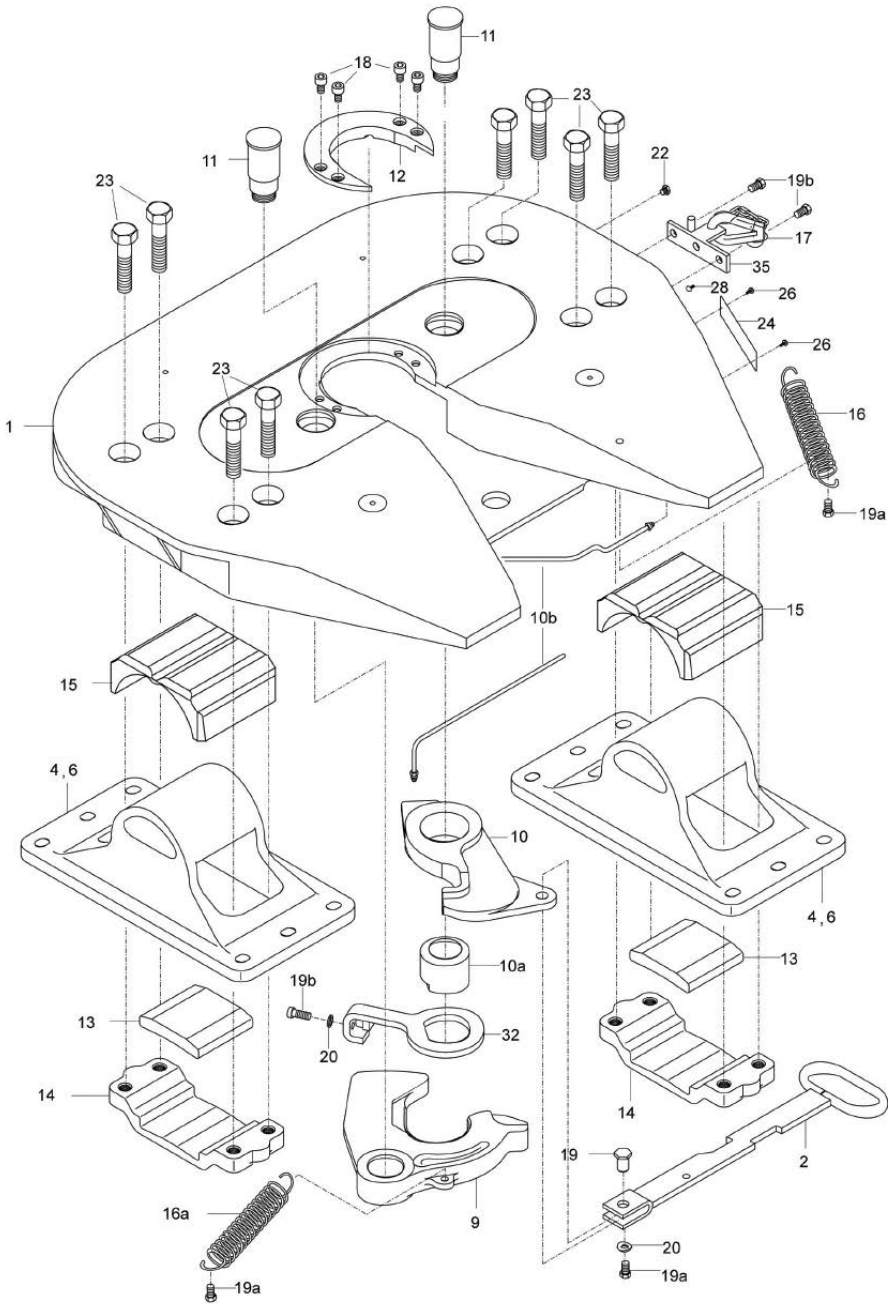


Mounting hole pattern according to DIN 74081

Subject to modifications in dimensions and design

Spare Parts SK-HD 38.36

FROM SERIAL NUMBER 40001301



UP TO SERIAL NUMBER 40001300 PLEASE ASK FOR SPARE PARTS SEPARATELY

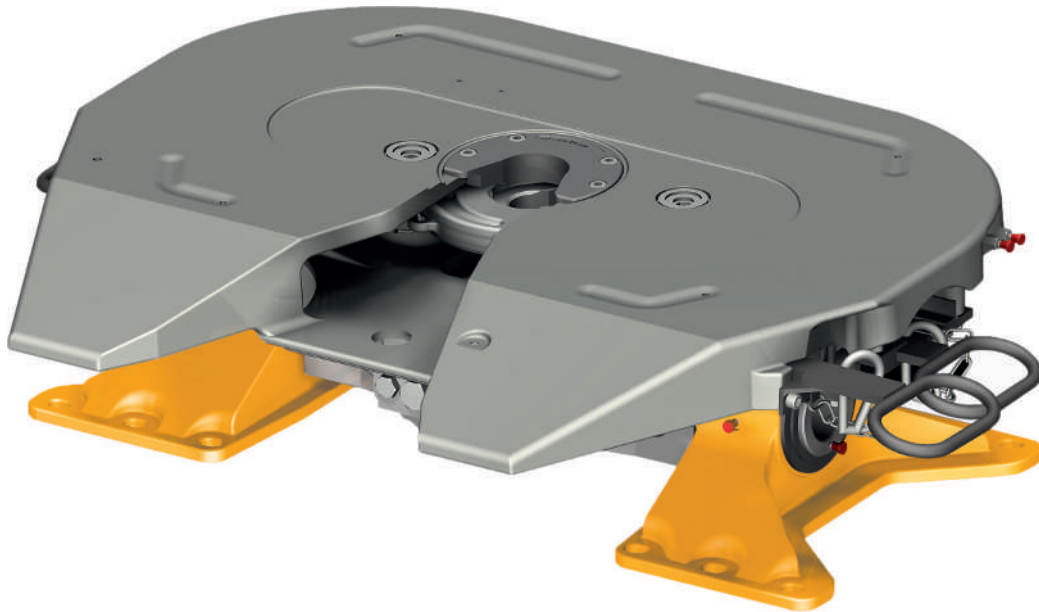
Please note: Also applies for serial numbers 40001055-1144 and 40001195-1216

Item	Component	Dimensions	Pcs.	Order no.
	2" Repair kit bearing (13, 15, 23)*		1	662101457
	3.5" Repair kit bearing (13, 15, 23)*		1	662101457
	Conversion kit 3.5" to 2" (9, 12, 18, 24)		1	662101704
	Conversion kit 2" to 3.5" (9, 12, 18, 24)		1	662101705
	Repair kit locking mechanism and bearings (9, 11, 12, 13, 15, 18, 23)	2"	1	662101706
	Repair kit locking mechanism and bearings (9, 11, 12, 13, 15, 18, 23)	3.5"	1	662101707
	Repair kit locking mechanism (9, 11, 12, 18)	2"	1	662101708
	Repair kit locking mechanism (9, 11, 12, 18)	3.5"	1	662101709
	Repair kit wear ring (12, 18)		1	662101710
	Repair kit wear ring (12, 18)		1	662101711
	Coupling plate without mounting bracket	2"	1	662111092
	Coupling plate without mounting bracket	3.5"	1	662111093
1	Coupling plate		1	662111254
2	Operating handle		1	662111276
4	Mounting bracket	150mm	2	662111293
6	Mounting bracket	190mm	2	662111256
9	Coupler jaw	2"	1	662111249
9	Coupler jaw	3.5"	1	662111247
10	Locking hook		1	662111239
10a	Eccenter		1	662111317
10b	Lubrication tube complete	L=410	2	659144106
11	Pin cpl.		2	662111344
12	Wear ring	2"	1	662111342
12	Wear ring	3.5"	1	662111343
13	Rubber damping		2	662111259
14	Tensioning bar		2	662111258
15	Bearing insert		2	662111264
16	Return spring		1	662126410
16a	Return spring		1	662111130
17	Clipper with linkage		1	662100574
18	Hex-screw	M12x14	4	659112624
19	Bolt		1	662126449
19a	Hex socket head screw	M10x20	3	659112359
19b	Hex-screw	M10x25	3	659112358
20	U-washer	Ø10	2	662126175
22	Grease nipple	M8x1	2	662126224
23	Hex socket head screw	M20x100	8	659112510
24	Identification plate		1	659120380
26	Groove pin	3x8	2	662126173
28	Rivet		1	662126151
32	Yoke		1	662111314
35	Locking plate		1	662111281
	Plug		1	662111346

* Repair kit 2" and 3.5" identical

SK-HD 38.36 G

Off-road Use

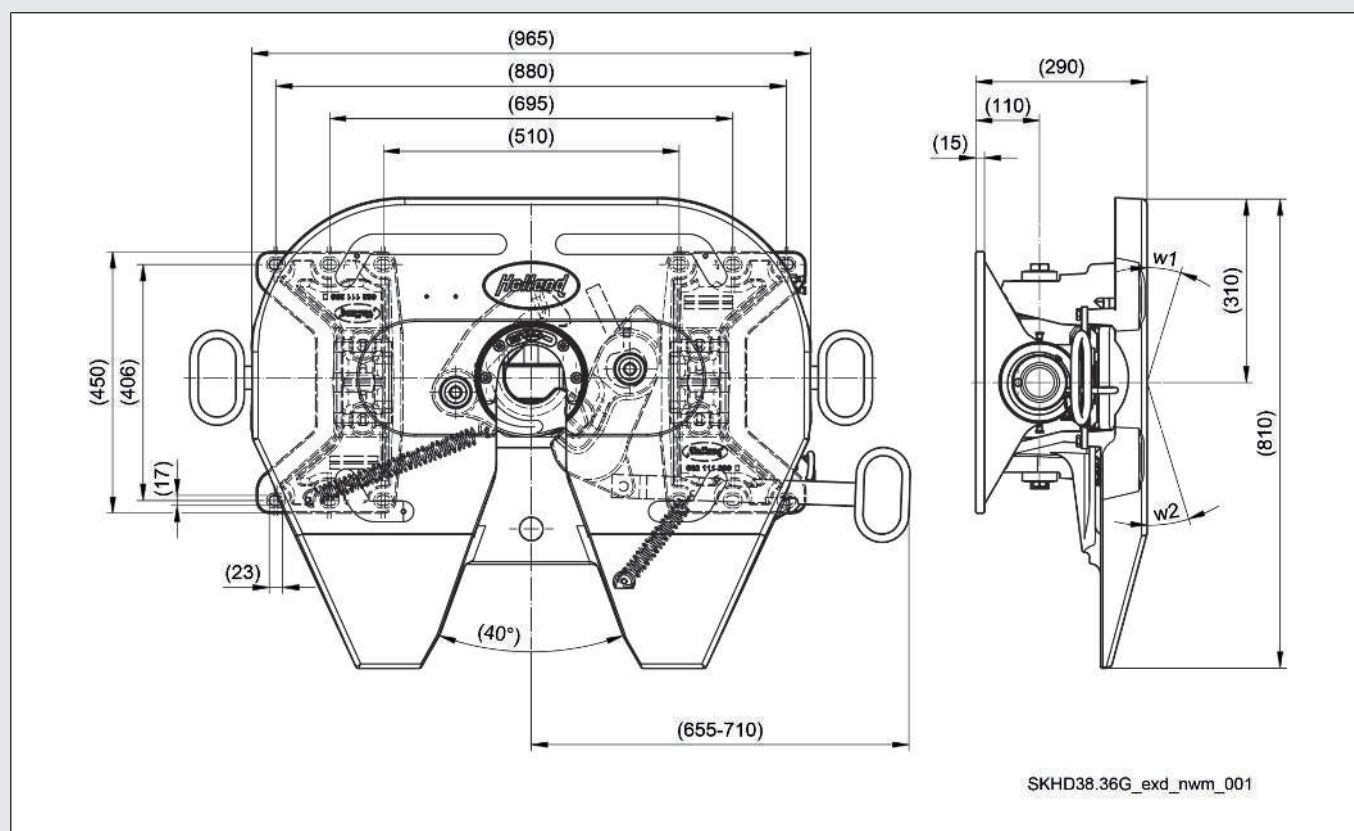


- Conversion from 2" to 3½" and vice versa possible
 - Conversion kit from 3½" to 2": 662 101 704
 - Conversion kit from 2" to 3½": 662 101 705
- Suitable for off-road use with double oscillation
- Suitable for steering wedge applications
- **PLEASE NOTE:** Not authorized for road transport

Technical Data

Type	Lock size [Inch]	Overall height [mm]	Imposed load [t]	D-value [kN]	Weight [kg]	Angle of inclination degree (w1/w2)	Indination degree	Order no.
2"								
SK-HD 38.36.2 G	2"	290	23	162	272	17° / 14°	6,5	662111089
3,5"								
SK-HD 38.36 G	3.5"	290	36	260	272	17° / 14°	6,5	662111088

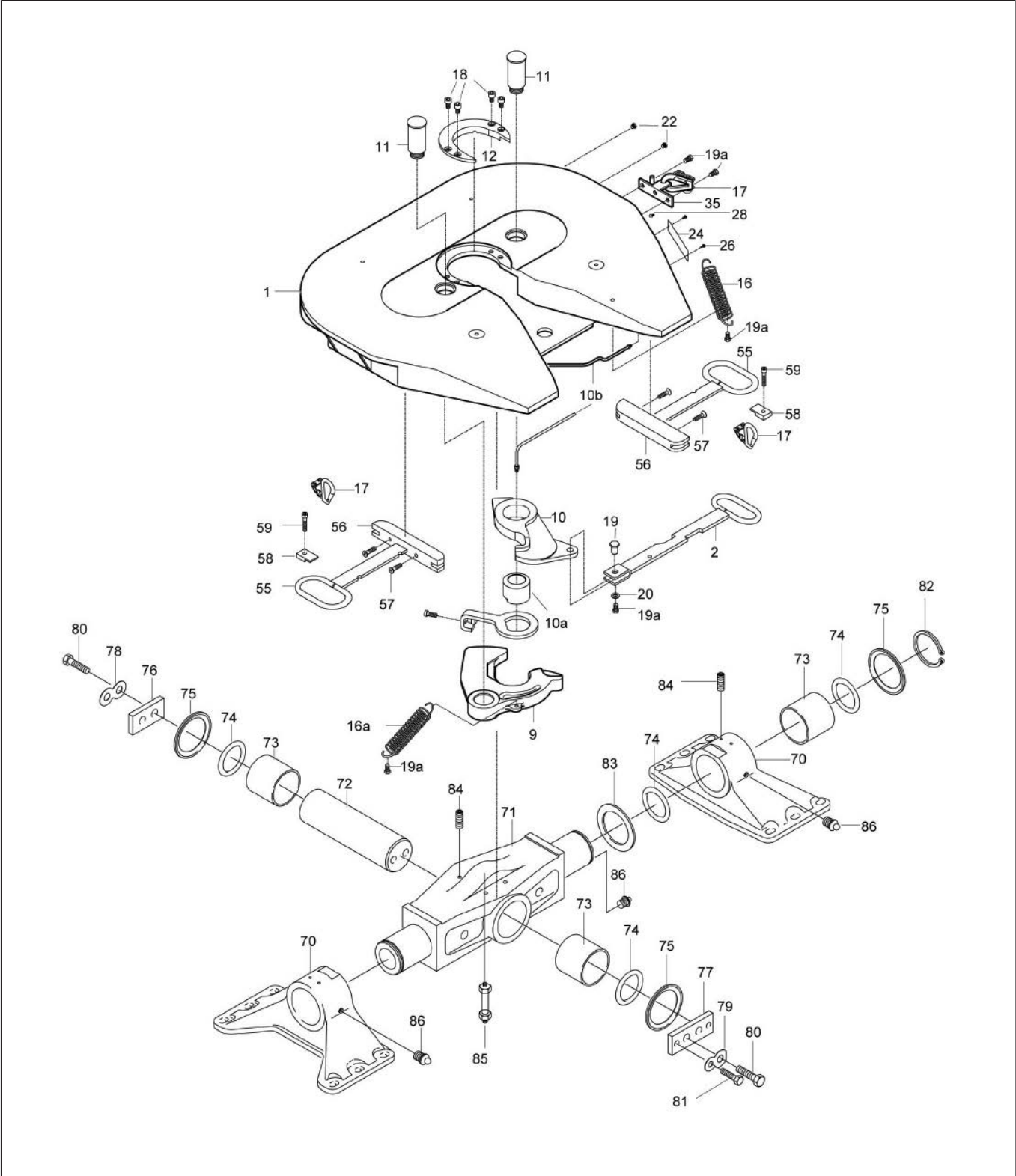
Dimensions



Mounting hole pattern according to DIN 74081
 Subject to modifications in dimensions and design

Spare Parts SK-HD 38.36 G

FROM SERIAL NUMBER 40001301



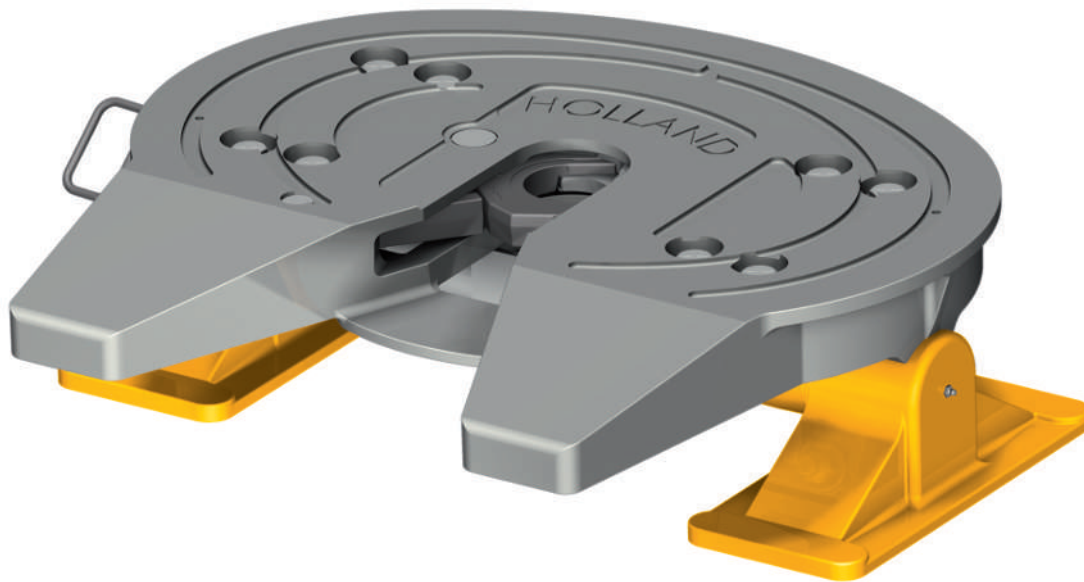
UP TO SERIAL NUMBER 40001300 PLEASE ASK FOR SPARE PARTS SEPARATELY

Please note: Also applies for serial numbers 40001055-1144 and 40001195-1216

Item	Component	Dimensions	Pcs.	Order no.
	2" Repair kit bearing (73, 74, 78, 79, 80, 81, 84, 85, 86 *)*	2", 3.5"	1	662101487
	3,5" Repair kit bearing (73, 74, 78, 79, 80, 81, 84, 85, 86 *)*	2", 3.5"	1	662101487
	Conversion kit 3.5" to 2" (9, 12, 18, 24)		1	662101704
	Conversion kit 2" to 3.5" (9, 12, 18, 24)		1	662101705
	Repair kit locking mechanism (9, 11, 12, 18)	2"	1	662101708
	Repair kit locking mechanism (9, 11, 12, 18)	3.5"	1	662101709
1	Coupling plate		1	662111254
2	Operating handle		1	662111276
9	Coupler jaw	2"	1	662111249
9	Coupler jaw	3.5"	1	662111247
10	Locking hook		1	662111239
10a	Eccenter		1	662111317
10b	Lubrication tube complete	L=410	2	659144106
11	Pin cpl.		2	662111347
12	Wear ring	2"	1	662111342
12	Wear ring	3.5"	1	662111343
16	Return spring		1	662126410
16a	Return spring		1	662111130
17	Clipper with linkage		3	662100574
18	Hex-screw	M12x14	4	659112624
19	Bolt		1	662126449
19a	Hex socket head screw	M10x20	2	659112359
20	U-washer	Ø10	1	662126175
22	Grease nipple	M8x1	2	662126224
24	Identification plate		1	659120380
26	Groove pin	3x8	2	662126173
28	Rivet		1	662126151
35	Locking plate		1	662111281
55	Operating handle		2	662111297
56	Stopper		2	662111296
57	Countersink screw	M10x20	4	662100371
58	Lock plate		2	662111298
59	Hex-screw	M10x25	2	662126155
70	Mounting bracket		2	662111348
71	Rocker		1	662111349
72	Bearing bolt		1	662111306
73	Bearing bush		4	662111300
74	O-ring		6	662111301
75	Distance washer		4	659122075
76	Cam plate		1	662111304
77	Clamping sleeve		1	662111307
78	Locking plate	2"	1	662111305
79	Locking plate	3.5"	2	662111308
80	Hex socket head screw	M20x45	4	662111203
81	Hex socket head screw	M14x30	2	2088100000 050
82	Circlip		2	662111302
83	Distance washer		2	659122074
84	Grooved cylindrical pin		8	662111311
85	Extension		1	662111312
86	Grease nipple	M8x1	6	662126224

* Repair kit 2" and 3.5" identical

FW0100

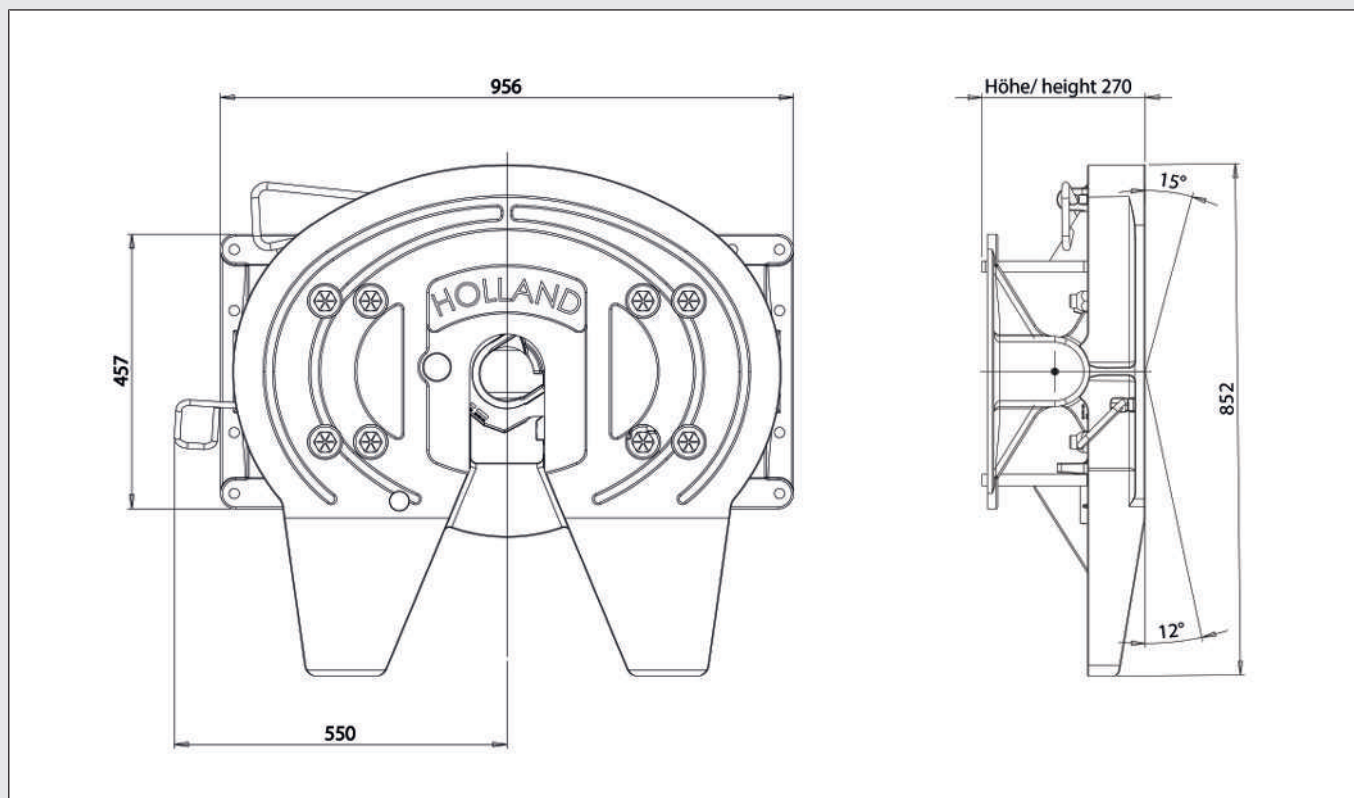


- 3½" extra heavy duty fifth wheel manufactured from high strength cast steel, designed for the most demanding applications
- Minimum operating temperature -40 °C
- Suitable for rear axle steering systems
- **PLEASE NOTE:** Not authorized for road transport

Technical Data

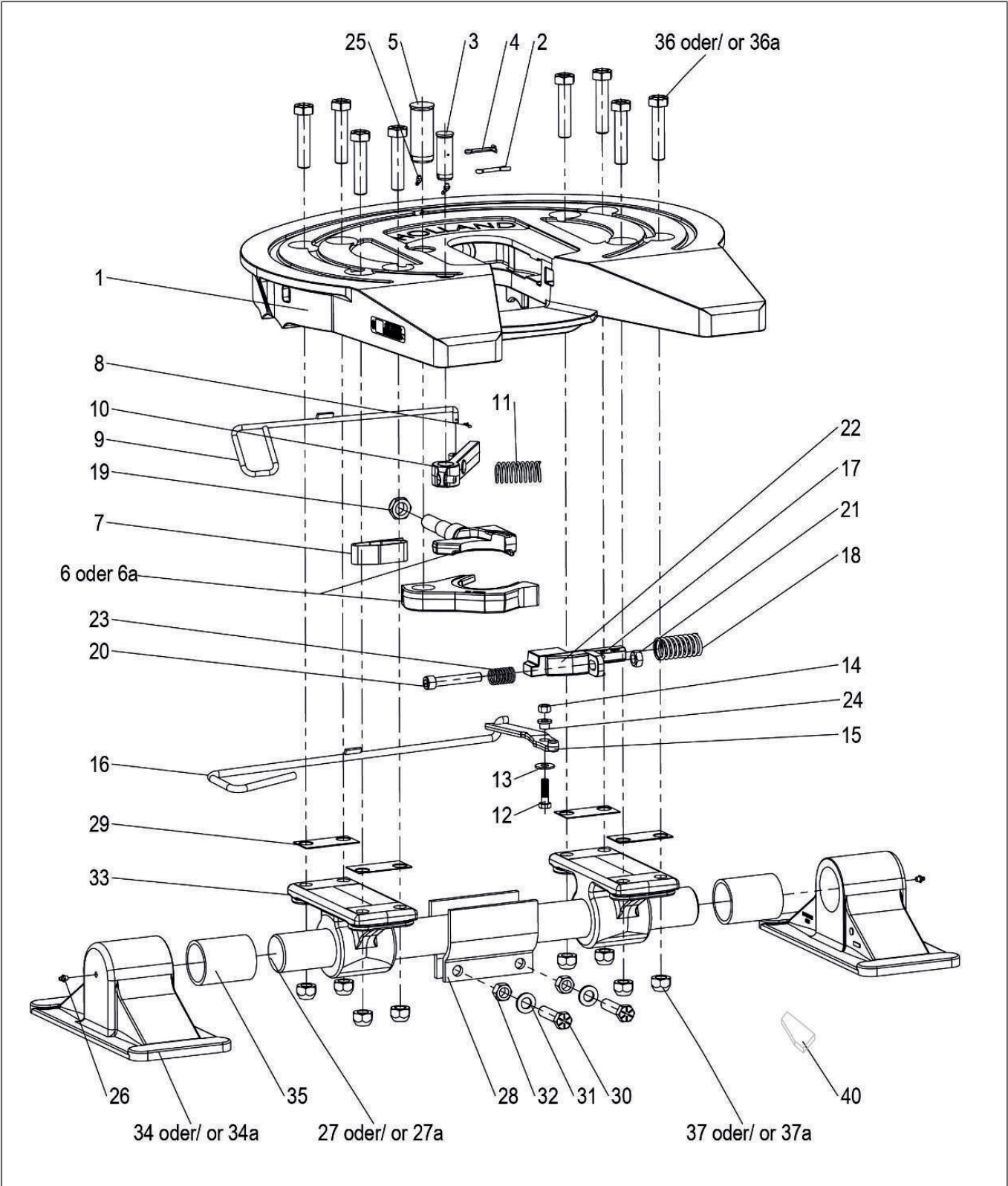
Type	Lock size [Inch]	Overall height [mm]	Imposed load [t]	D-value [kN]	Weight [kg]	Order no.
FW0100-O	3.5"	270	45	240	272	FW0100-O
FW0100-OC	3.5"	230	45	240	268	FW0100-OC

Dimensions



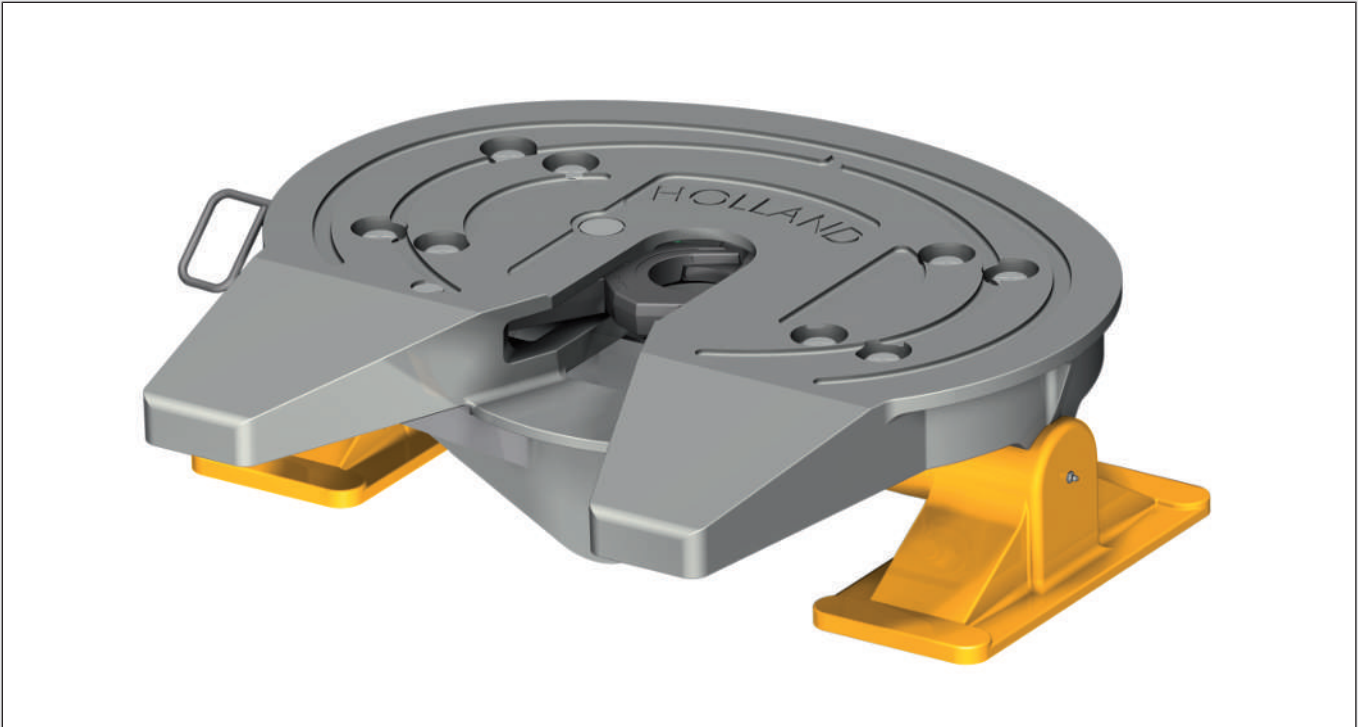
Production of the fifth-wheel according to DIN 74081 and DIN 74084

Spare Parts FW0100



Item	Component	Dimensions	Pcs.	Order no.
	Repair kit fifth wheel cpl. (2-24, 40)	2"	1	RK-65012
	Repair kit fifth wheel cpl. (2-6A, 7-24, 40)	3.5"	1	RK-65013
	Repair kit locking mechanism (4-6, 10, 25, 40)	2"	1	RK-65024
	Repair kit locking mechanism (4-6A, 10, 25, 40)	3.5"	1	RK-65024-1
1	Fifth wheel top plate 2"		1	XA-101-D
1a	Fifth wheel top plate 3.5"		1	XA-101-O
2	Cotter pin	1/4"x2"	1	XB-5
3	Lock pin		1	XA-1016-C
4	Cotter pin	1/4"x2,5"	1	XB-T-60
5	Lock pin		2	XA-FW-108-D-1
6	Lock kit 2"		1	XA-FW-104-D
6a	Lock kit 3.5"		1	XA-FW-104-03
7	Spring		1	XA-FW-128
8	Cotter pin	1/8"x1"	1	XB-16
9	Operating handle with saver		1	XA-FW-138
10	Secondary lock arm		1	XA-FW-137-2-KTL
11	Spring		1	XB-1028-2
12	Hex-screw	1/2 - 20x1,75"	1	XB-2083
13	Washer	1/2"	1	XB-T-49
14	Hex-nut	1/2"-20"	1	XB-T-69-A
15	Lever, Release		1	XA-1005-FDS
16	Operating handle		1	XA-1117-13
17	Repair kit locking mechanism cpl.		1	XA-1104-KTL
18	Spring		2	XB-1007
19	Locknut	1"-14	1	XB-04473
20	Hex socket head screw		1	XB-2001
21	Nut	5/8"-11	1	XB-HNH-38C
22	Adjusting Block		1	XD-3123-1
23	Spring		1	XB-403-KTL
24	Bush		1	XB-02949
25	Grease nipple	45°	2	XB-767-C
26	Grease nipple		2	XB-H-38
27	Axle		1	XA-FW-106
28	Claming piece		2	CA-FW-113-D
29	Spacer		4	XB-03371
30	Hex socket head screw	3/4"-16x3"	2	XB-772
31	Washer		2	XB-PW-1316-112
32	Nut	3/4"-16	2	XB-769
33	Axle bearing		2	XA-FW-103
34	Mounting bracket		2	XA-FW-102
34a	Mounting bracket		2	XA-FW-102-C
35	Bush		2	XA-FW-107
36	Hex socket head screw	7/8"-14x4"	8	XB-08914
36a	Hex socket head screw	1"-8x4"	8	XB-FW-109
37	Hex-nut	7/8"-14	8	XB-T-307
37a	Hex-nut	1"-8	8	XB-C-41
40	Adjusting Block		1	XA-05768

FW0165

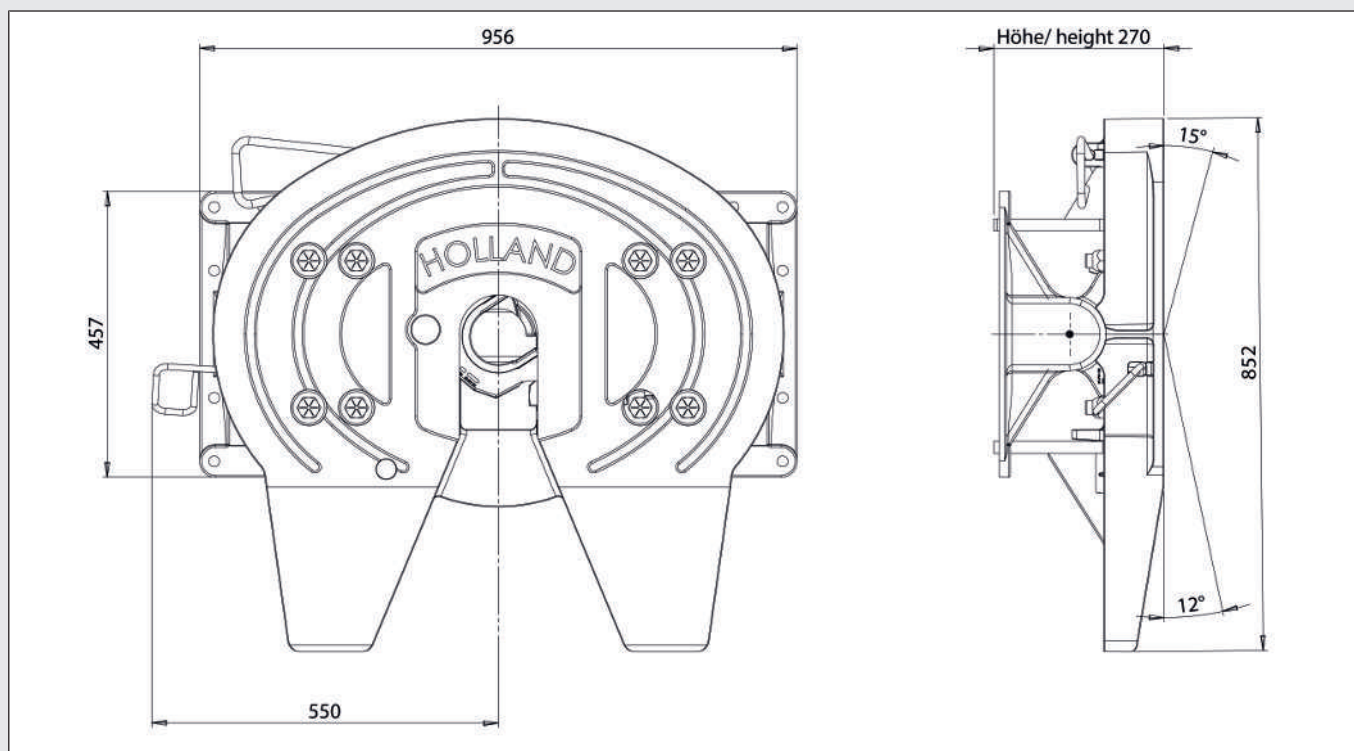


- Cast steel
- **PLEASE NOTE:** Not authorized for road transport

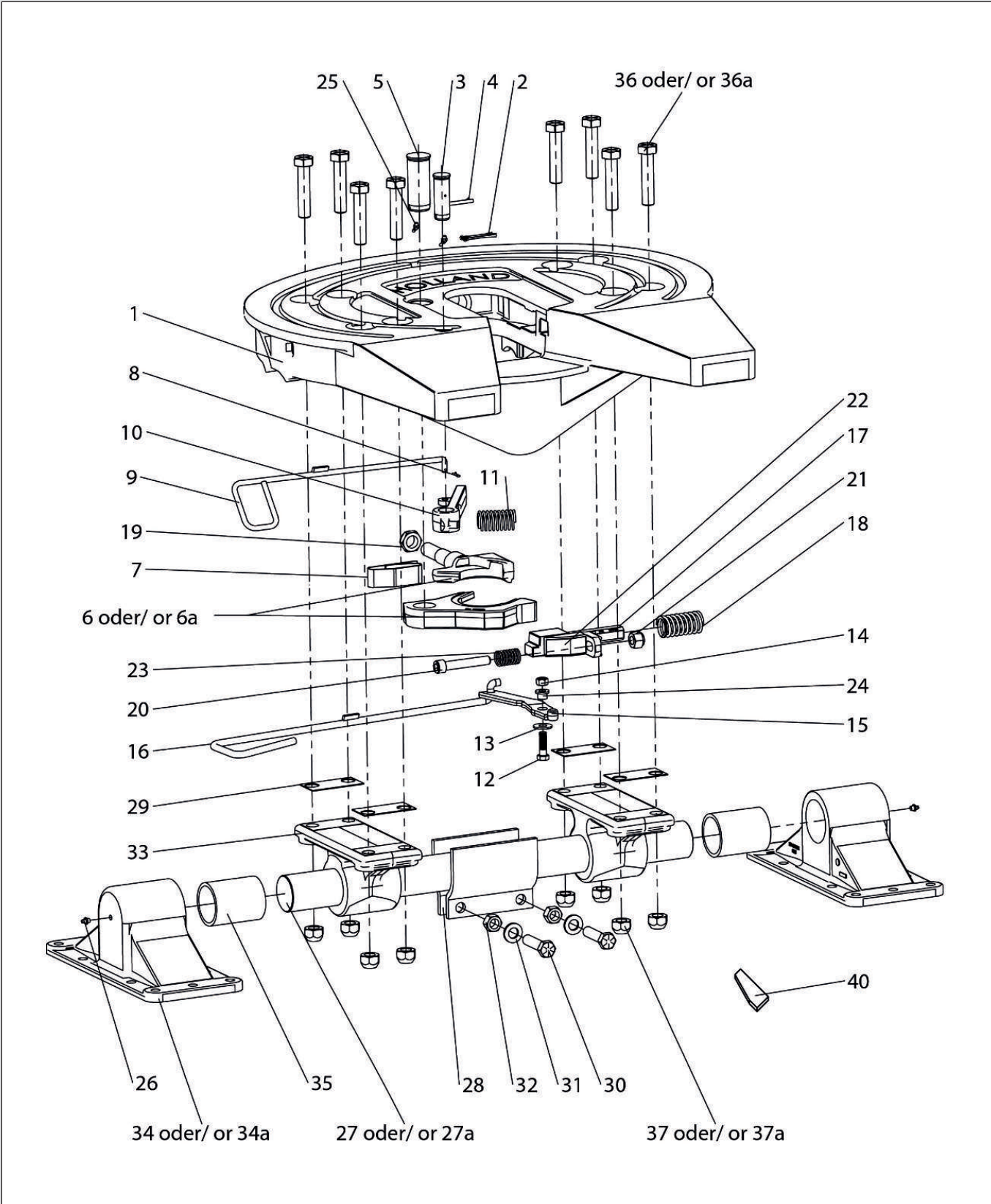
Technical Data

Type	Lock size [Inch]	Overall height [mm]	Imposed load [t]	D-value [kN]	Weight [kg]	Order no.
FW0165-0091	3.5"	270	74	240	302	FW0165-0091

Dimensions

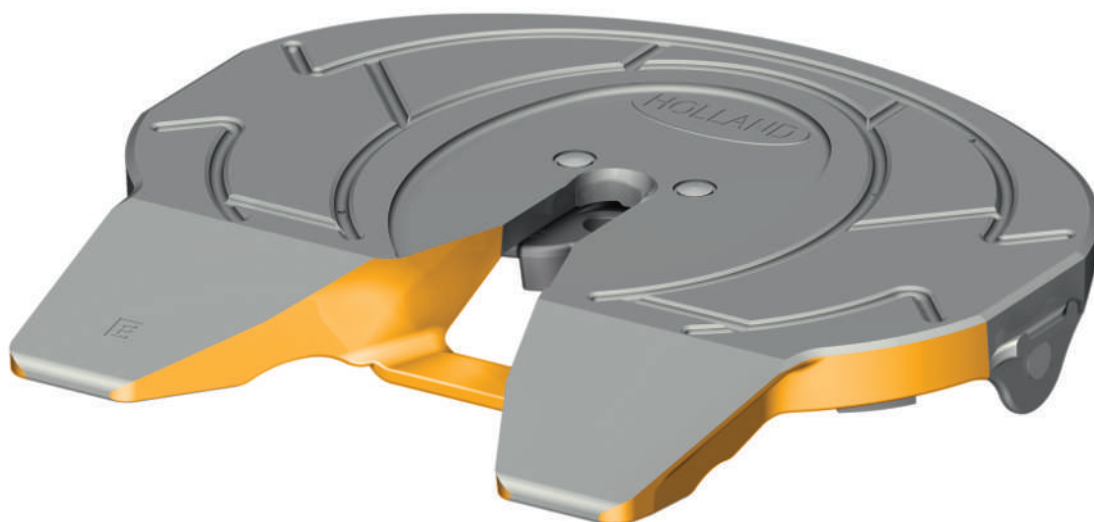


Spare Parts FW0165



Item	Component	Dimensions	Serial no.	Pcs.	Order no.
	Repair kit locking mechanism 2" (4-6, 10, 25, 40)	2"		1	RK-65024
	Repair kit locking mechanism 3.5" (4-6A, 10, 25, 40)	3.5"		1	RK-65024-1
	Repair kit fifth wheel cpl. 2" (2-24, 40)	2"		1	RK-65012
	Repair kit fifth wheel cpl. 3.5" (2-6A, 7-24, 40)	3.5"		1	RK-65013
1	Fifth wheel top plate			1	XA-115-1
2	Cotter pin	1/4"x2"		1	XB-5
3	Lock pin			1	XA-1016-C
4	Cotter pin	1/4"x2,5"		1	XB-T-60
5	Lock pin			1	XA-FW-108-D-1
6	Lock kit 2"			1	XA-FW-104-D
6a	Lock kit 3.5"			1	XA-FW-104-03
7	Spring			1	XA-FW-128
8	Cotter pin	1/8"x1"		1	XB-16
9	Operating handle with saver			1	XA-FW-138
10	Secondary lock arm			1	XA-FW-137-2-KTL
11	Spring			1	XB-1028-2
12	Hex-screw	1/2 - 20x1,75"		1	XB-2083
13	Washer	1/2"		1	XB-T-49
14	Hex-nut	1/2"-20"		1	XB-T-69-A
15	Lever, Release			1	XA-1005-FDS
16	Operating handle			1	XA-1117-13
17	Repair kit locking mechanism cpl.			1	XA-1104-KTL
18	Spring			1	XB-1007
19	Locknut	1"-14		1	XB-04473
20	Hex socket head screw			1	XB-2001
21	Nut	5/8"-11		1	XB-HNH-38C
22	Adjusting Block			1	XD-3123-1
23	Spring			1	XB-403-KTL
24	Bush			1	XB-02949
25	Grease nipple	45°		2	XB-767-C
26	Grease nipple			2	XB-H-38
27	Axle			1	XA-FW-106
28	Claming piece			2	CA-FW-113-D
29	Spacer			4	XB-03371
30	Hex socket head screw	3/4"-16x3"		2	XB-772
31	Washer			2	XB-PW-1316-112
32	Nut	3/4"-16		2	XB-769
33	Axle bearing			2	XA-FW-103
34	Mounting bracket 270 mm			2	XA-FW-102
35	Bush			2	XA-FW-107
36	Hex socket head screw	7/8"-14x4"		8	XB-08914
36a	Hex socket head screw	1"-8x4"		8	XB-FW-109
37	Hex-nut	7/8"-14		8	XB-T-307
37a	Hex-nut	1"-8		8	XB-C-41
40	Adjusting Block			1	XA-05768

FW3510-TR



- Suitable for steering wedge applications
- Not authorized for road transport, only with manual secondary lock
- ECE type approval no.: E11 55R-01 6172

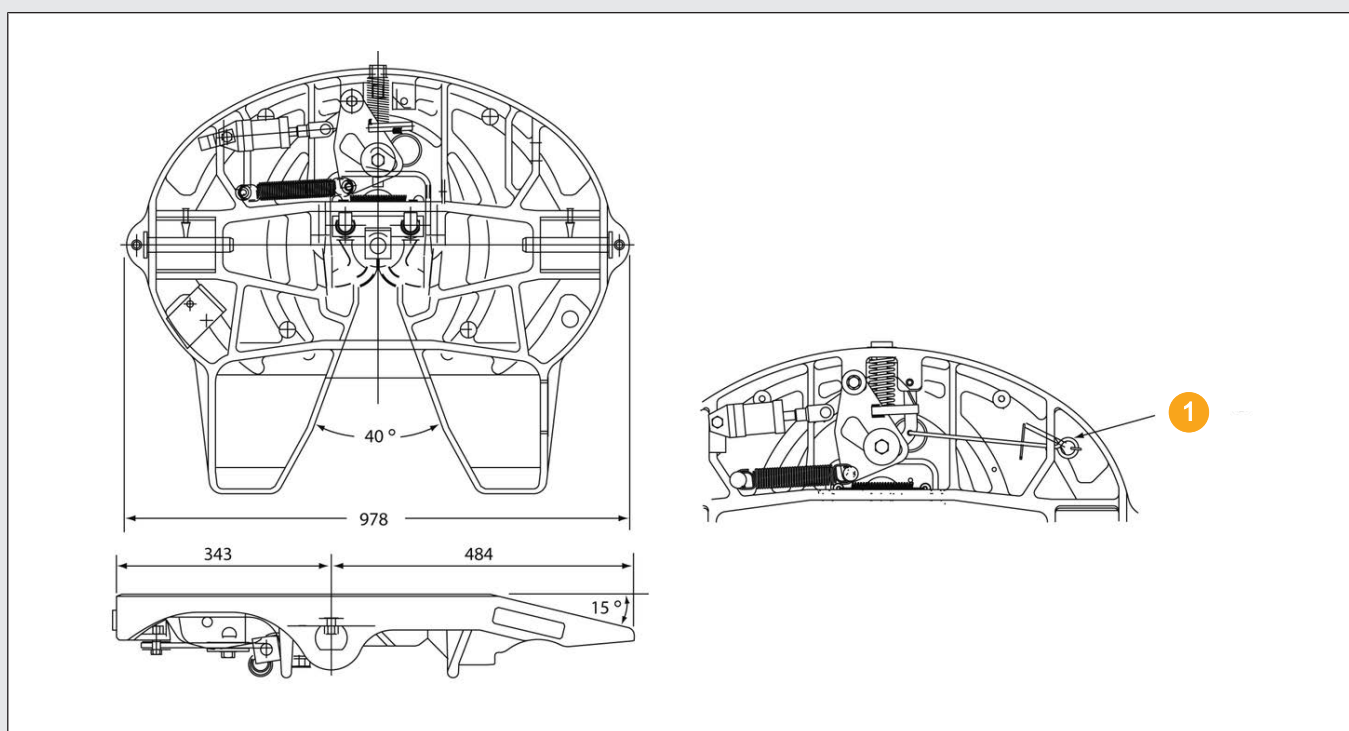
Technical Data

Type	D-value [kN]	Imposed load [t]	Weight [kg]	Order no.
FW3510-TR	-	36	120	FW3510-TR
FW3510-TR-EL*	-	36	120	FW3510-TR-EL
FW3510-TR-EG	175	23	121	FW3510-TR-EG
FW3510-TR-EG-EL*	175	23	121	FW3510-TR-EG-EL

* with sensor

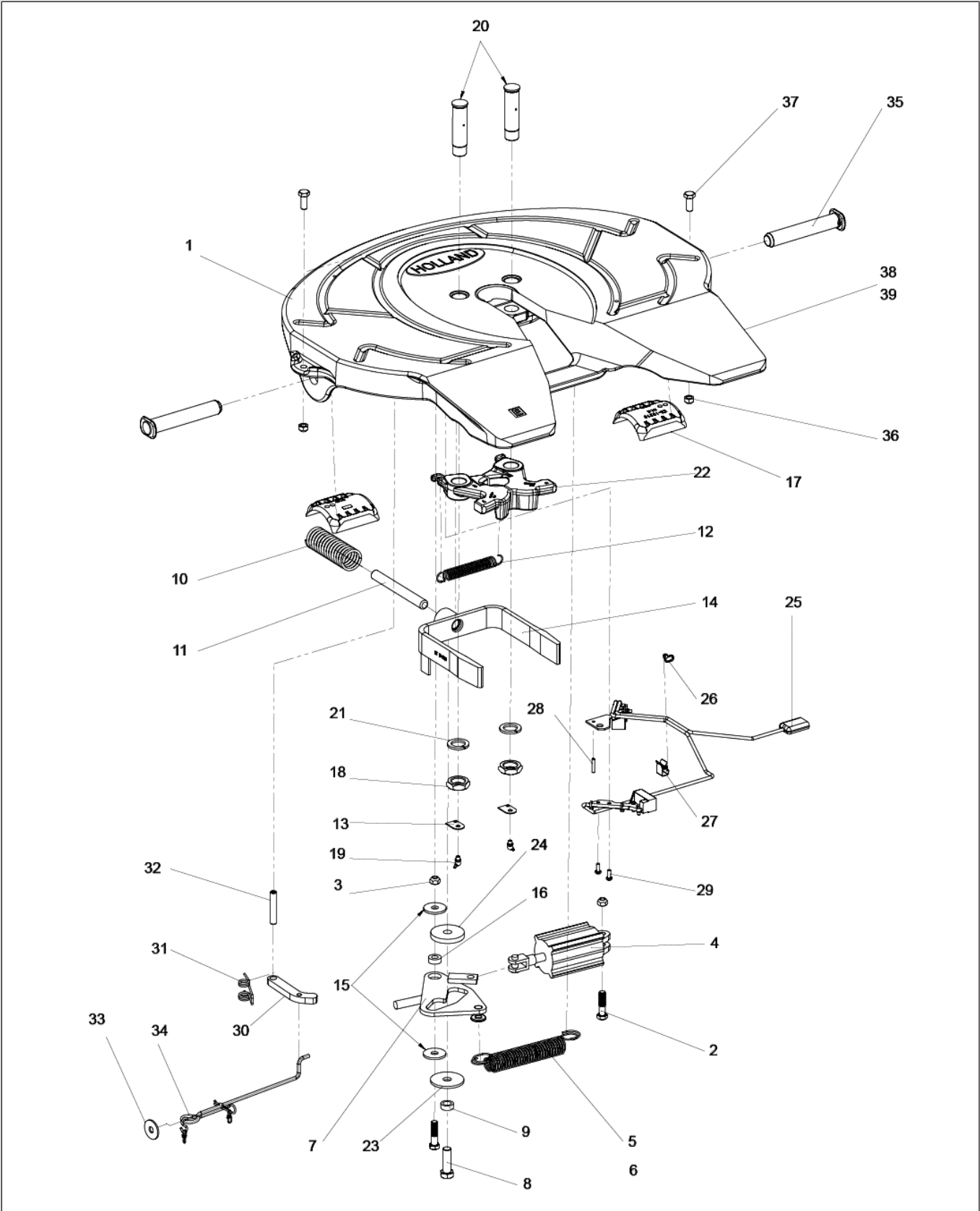
- The load limits given are valid for operation with speed limited to **35 km/h maximum** and for use on well maintained roadways and yards within distribution depots and dockyard areas.
- Specification with optional manual secondary lock for operation on public roads.
- The versions without additional securing have a permissible total towing weight of 100,000 kg.

Dimensions



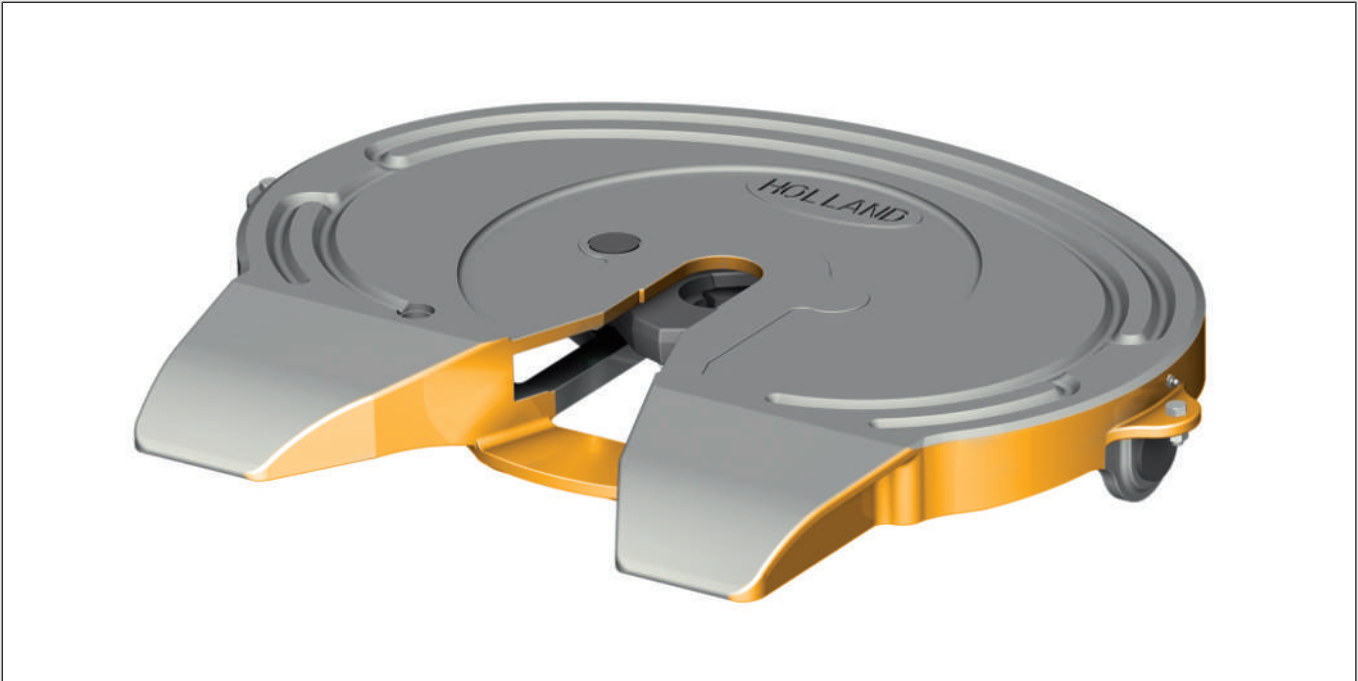
1 | Manual secondary lock

Spare Parts FW3510-TR



Item	Component	Dimensions	Pcs.	Order no.
	Repair kit fifth wheel cpl. (2-3, 5-16, 18, 24)			RK-3510-TR-2
	Repair kit fifth wheel cpl. (2-16, 18-24)			RK-3510-TR
	Repair kit locking mechanism (13, 18-22)			RS-91103
	Repair kit sensor (25-29)			RS-91118
	Repair kit bearing (17, 35-37)			RS-91139
	Lock bar (30-34)			RS-91141
1	Coupling plate without mounting bracket		1	XA-351-E-U2
2	Hex socket head screw	M12x50	2	31036
3	Hex-nut	M12	2	32001
4	Pneumatic cylinder		1	XA-3542-R-T
5	Return spring - outside		1	XB-10088
6	Return spring - inside		1	XB-10087
7	Cam plate		1	XA-10099
8	Hex socket head screw	M12x50	1	XB-10035
9	Cam roller		1	XA-1507
10	Spring		1	XB-1505-P
11	Yoke shaft		1	XA-1706-1
12	Spring		1	XB-07628-P
13	Holder for cable tape		2	XA-10096
14	Yoke		1	XA-10094
15	Washer		2	XB-76004
16	Bush		1	XA-1029
17	Pocket Insert		2	XB-10210
18	Nut	M27	2	32027
19	Grease nipple	45° - M8x1	2	38026
20	Lock pin		2	XA-E-60043
21	Spring washer	M27	1	33027
22	Lock jaw kit		1	XA-08332-1-P
23	Washer (Knorr)		1	XB-07431
24	Distance washer		1	XA-09040
25	Sensor	351 - 24V	1	XA-76204
26	Cable clip		1	XB-01961
27	Holder for sensor		1	XB-09976
28	Bolt		1	XB-76050
29	Hex socket head screw	M6x16	2	XB-76049
30	Lock bar		1	XA-3528
31	Spring, Torsion		1	XB-2149-P
32	Spiral pin		1	XB-21-S-500-2750
33	Washer		1	33031
34	Zuggriff-Manuelle Sicherung		1	XA-3546
35	Bearing bolt		2	XE-06356-KTL
36	Hex-nut	M12	2	32001
37	Hex socket head screw	M12x30	2	31041
38	Identification plate			659120420

FW0E70-T



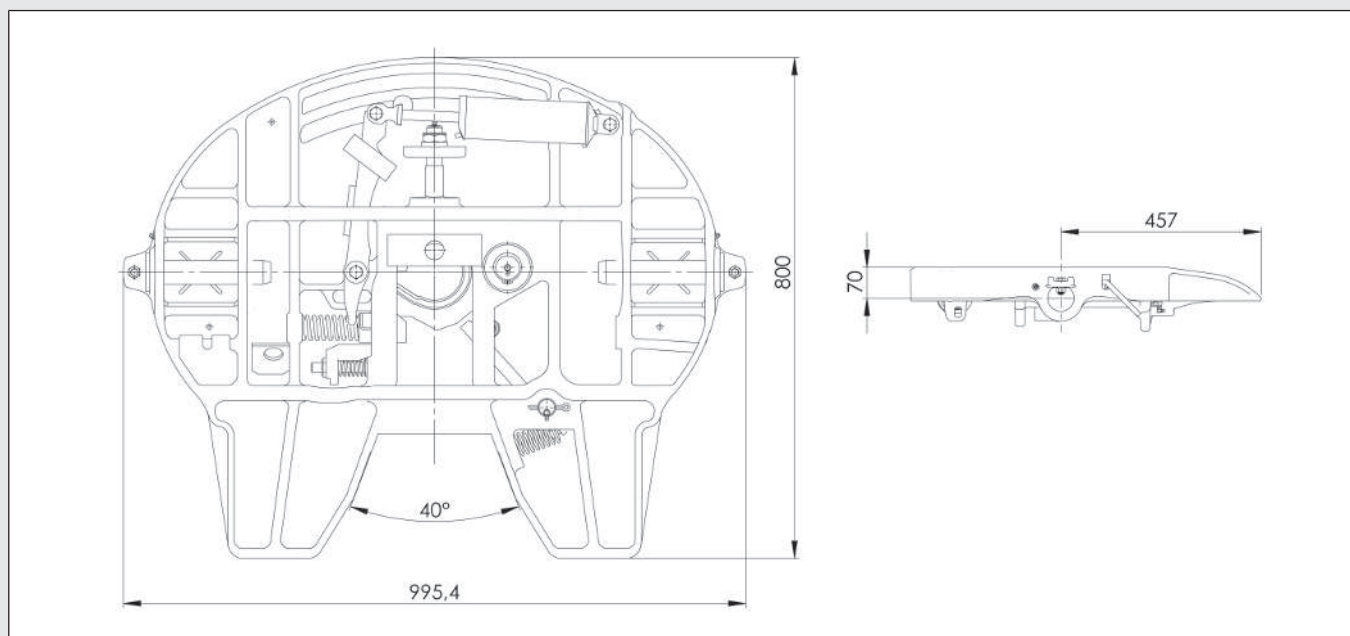
- High strength cast steel construction – permitted operating temperature to -40 °C
- Air operated lock release mechanism
- Gross combined weight (GCW):
 - FW0E70-02-T = 100,000 kg
 - FW0E70-03-T = 120,000 kg
- **PLEASE NOTE:** Not authorized for road transport

Technical Data

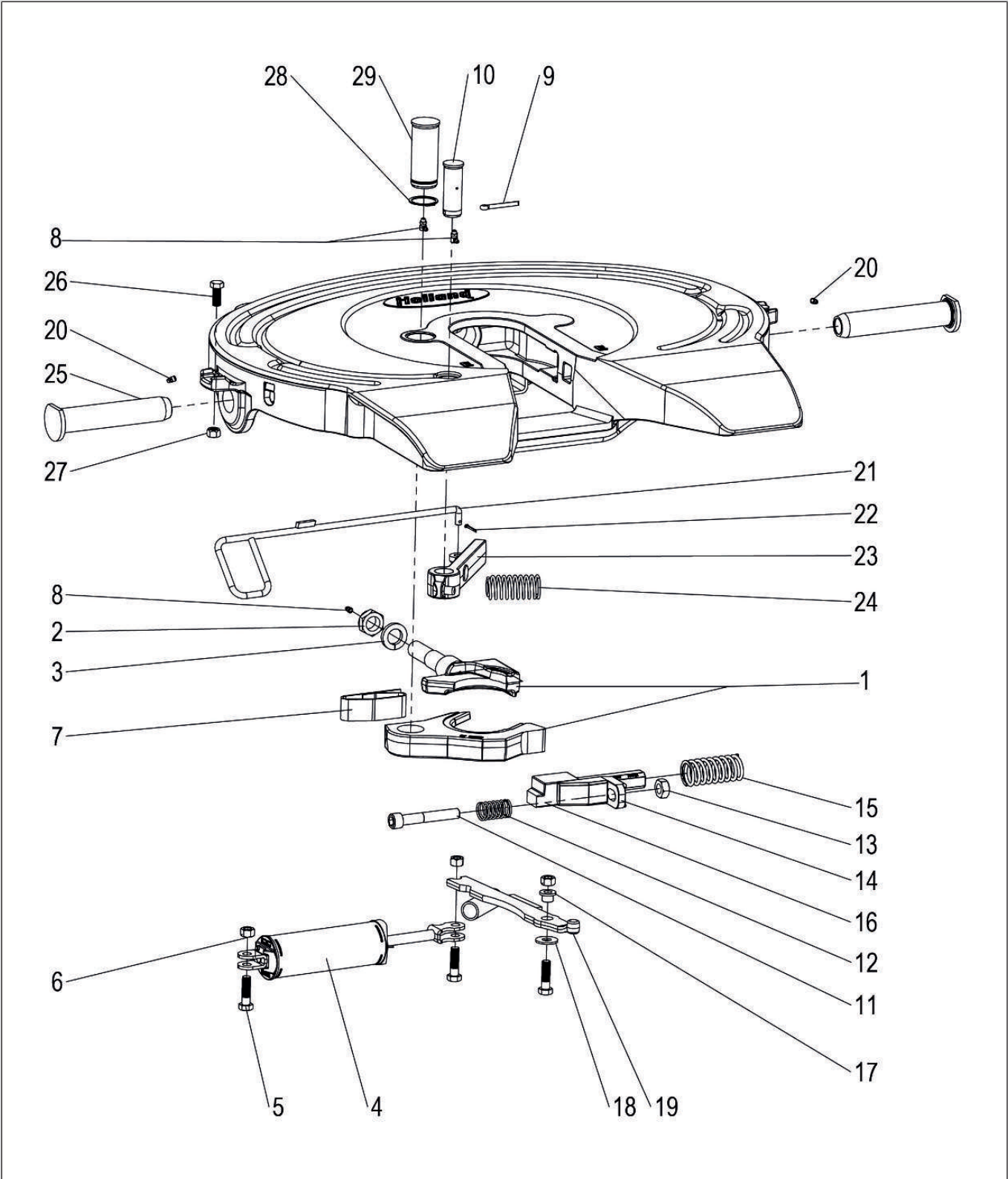
Type	Lock size [Inch]	Imposed load [t]	D-value [kN]	Weight [kg]	Order no.
2"					
FW0E70-02-T	2	45		100	FW0E70-02-T
3,5"					
FW0E70-03-T	3.5	45		120	FW0E70-03-T

- The load limits given are valid for operation with speed limited to **35 km/h maximum** and for use on well maintained road ways and yards within distribution depots and dockyard areas.

Dimensions



Spare Parts FW0E70-T



Item	Component	Dimensions	Pcs.	Order no.
1	Locking kit king pin 2"		1	XA-FW-104-D-T-KTL
	Locking kit king pin 3.5"		1	XA-FW-104-03-T-KTL
2	Locknut	1"-14	1	XB-04473
3	Sprinh washer		1	XB-10327
4	Air cylinder		1	XA11705
5	Hex-screw	1/2 - 20x1,75"	3	XB-2083
6	Hex-nut	1/2"-20"	3	XB-T-69-A
7	Spring		1	XA-FW-128
8	Grease nipple	90°	1	XB-0769
9	Cotter pin	1/4"x2,5"	1	XB-T-60
10	Lock pin		1	XA-FW108-D
11	Hex socket head screw	5/8"-11x4"	1	XB-09407
12	Spring		1	XB-403-KTL
13	Nut	5/8"-11	1	XB-HNH-38C
14	Adjusting Block		1	XD-3123-1-KTL
15	Spring		1	XB-1007
16	Locking lever		1	XA-1104-1-KTL
17	Bush		1	XB-02949
18	Washer	1/2"	1	XB-T-49
19	Lever, Release		1	XA-600200-KTL
20	Grease nipple		2	XB-H-38

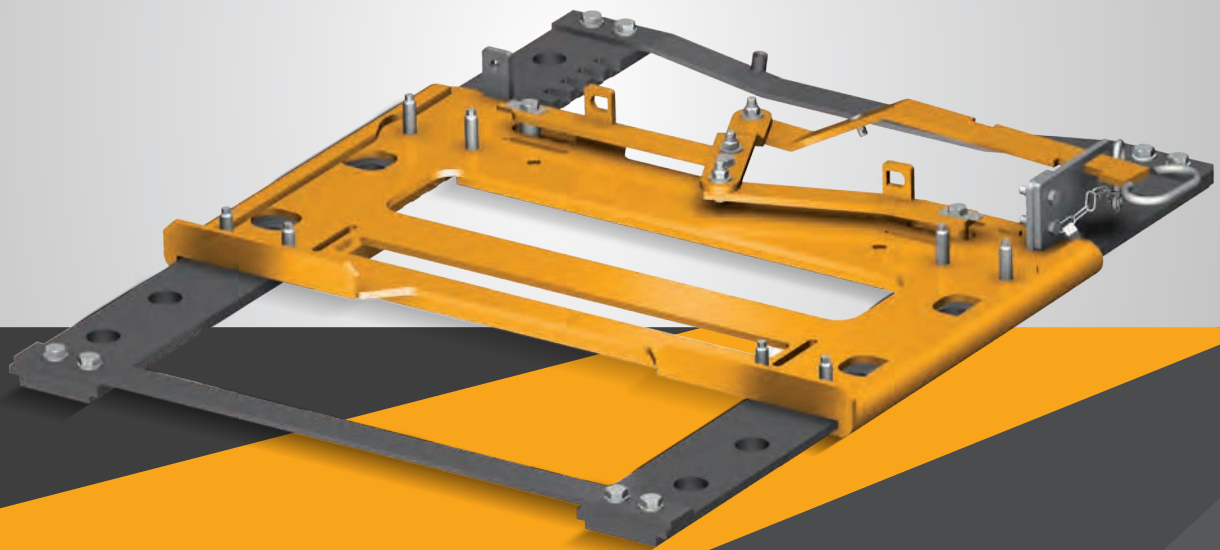
Notes



SAF-HOLLAND Group

Sliders

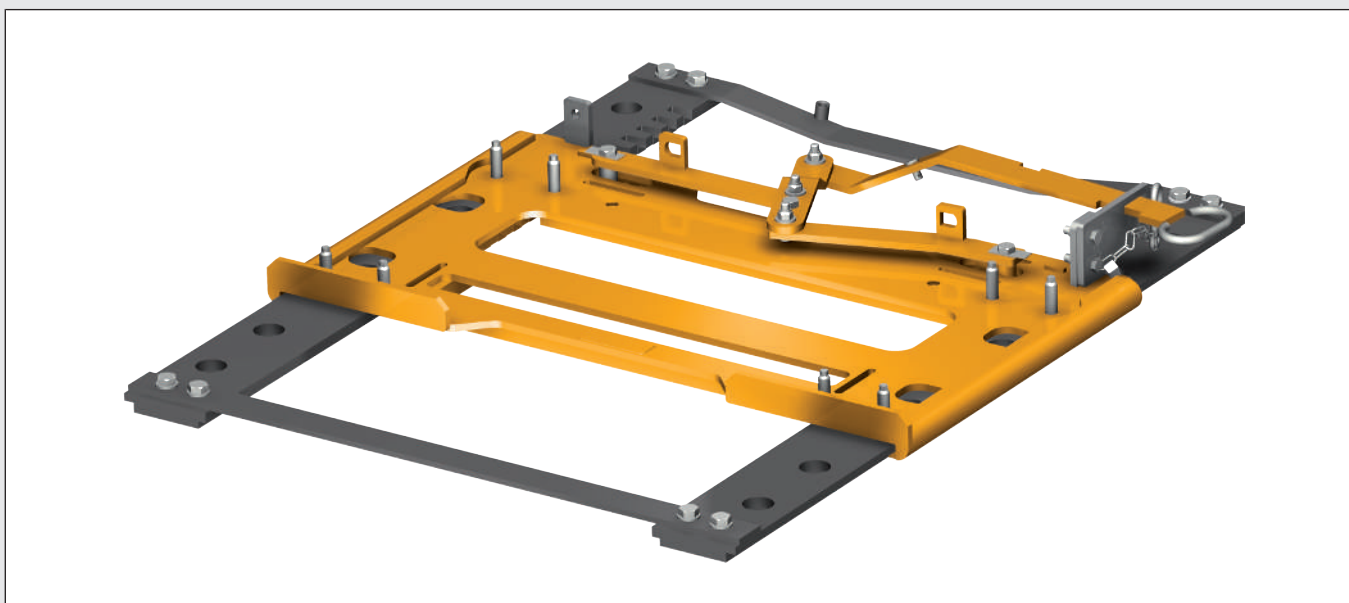
To permissible axle loads and vehicles lengths



SK-V 20

The slotted base rails with teeth and slotted rails are mounted directly to the supporting frame of the tractor. The carriage with the locking mechanism is designed for mounting fifth wheels with an overall height of 150 - 250 mm.

Info: SAF-HOLLAND sliders are not designed for off-road use.



Technical Data (Manual)

- Direct mounting on vehicle frame
- Imposed Load: 18 t
- D-value: 135 kN
- Overall height: 35 mm
- 14 selectable coupling points, total slider travel of 525 mm
- KTL anti-corrosion coating
- Approved for forced steering
- Mounting hole pattern according to DIN 74081, 74084 and ISO 3842

Technical Data (Pneumatic)

- Imposed Load: 18 t
- D-value: 135 kN
- Overall height 35 mm
- ECE type approval no.: E11 55R-01 5482

Ordering Instructions

- Mounting kit for fifth wheel on slider included in delivery
- Standard versions without predrilled mounting holes
- Models available drilled to specific vehicle type on request
- With conversion of lever support the operating handle height can be changed from 180 mm to 90 mm and vice versa
- Fifth wheels with overall heights of 150 mm and 185 mm are only possible with an operating handle height of 90 mm
- Further types and mounting possibilities on request

Sliders SK-V 20 Standard (Without predrilled mounting holes)

Type	Model	OEM	Axle configuration	Weight [kg]	Mounting width	Dimensions	Handle height	Order no.
SK-V 20	manually	-	4x2	110	780-900	1250x960	90	662204500
SK-V 20	manually	-	4x2	110	780-900	1250x960	180	662204524
SK-V 20	pneumatically	-	4 x 2	105	780-900	1250 x 960		662205500

Sliders SK-V 20 (With predrilled OEM hole patterns)

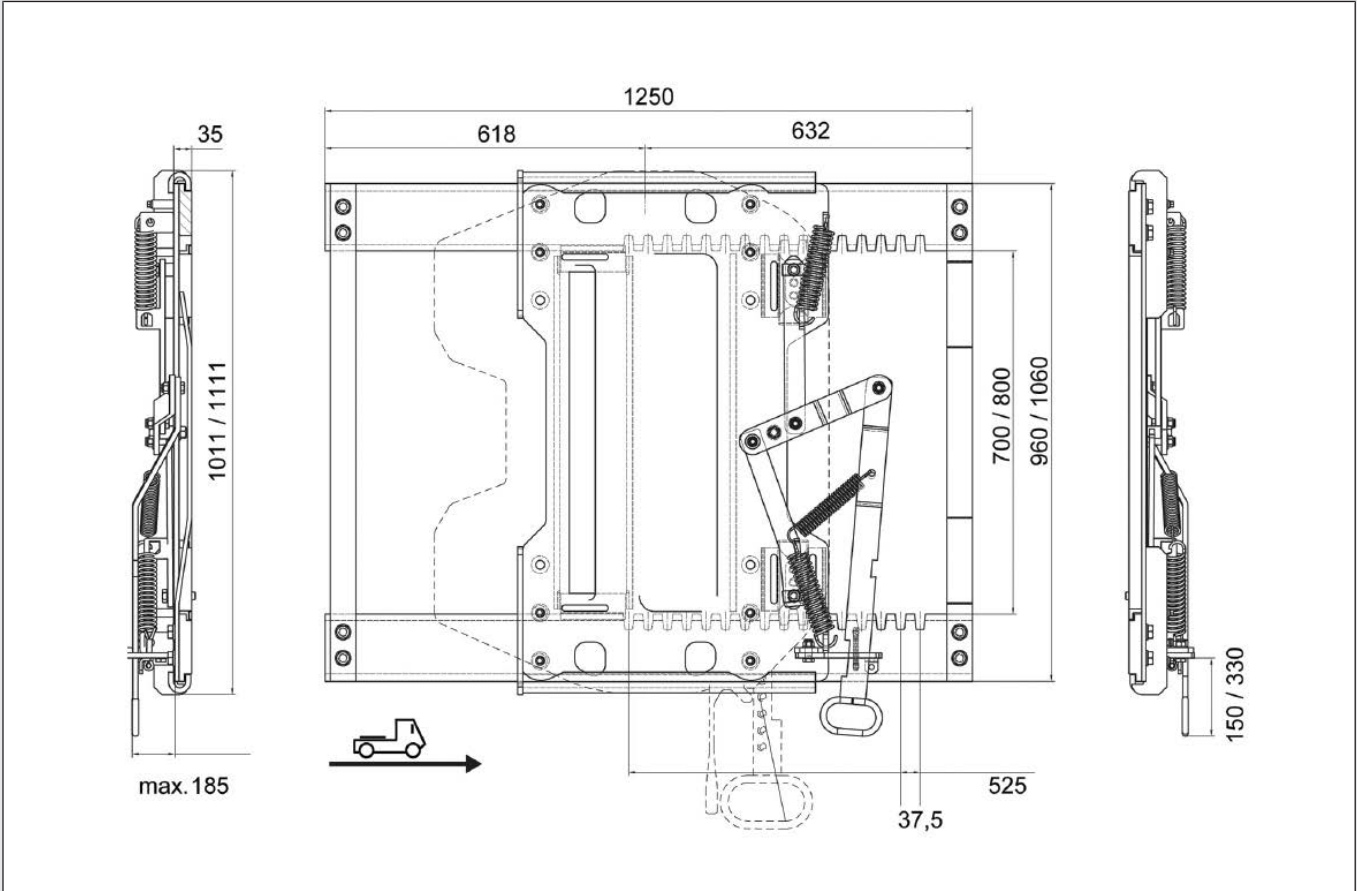
Type	Model	OEM	Axle configuration	Weight [kg]	Mounting width	Dimensions	Handle height	Order no.
SK-V 20	manually	IVECO	4x2 / 6x2	110	780-900	1250x960	90	662204501
SK-V 20	manually	IVECO	4x2 / 6x2	110	780-900	1250x960	180	662204502
SK-V 20	pneumatically	IVECO	4 x 2	105	780-900	1250 x 960		662205501
SK-V 20	manually	Mercedes Benz MP3	4x2 / 6x2	110	780-900	1250x960	90	662204503
SK-V 20	manually	Mercedes Benz MP3	4x2 / 6x2	110	780-900	1250x960	180	662204504
SK-V 20	pneumatically	Mercedes Benz MP3	4 x 2	105	780-900	1250 x 960		662205503
SK-V 20	manually	Scania / DAF	4x2	110	780-900	1250x960	90	662204507
SK-V 20	manually	Scania / DAF	4x2	110	780-900	1250x960	180	662204508
SK-V 20	pneumatically	Scania / DAF	4 x 2	105	780-900	1250 x 960		662205507
SK-V 20	manually	MAN	4x2	110	780-900	1250x960	90	662204509
SK-V 20	manually	MAN	4x2	110	780-900	1250x960	180	662204510
SK-V 20	pneumatically	MAN	4 x 2	105	780-900	1250 x 960		662205509
SK-V 20	manually	Scania	6x2	110	780-900	1250x960	90	662204515
SK-V 20	manually	Scania	6x2	110	780-900	1250x960	180	662204516
SK-V 20	pneumatically	Scania	6 x 2	105	780-900	1250 x 960		662205515
SK-V 20	manually	MAN	6x2	110	780-900	1250x960	90	662204517
SK-V 20	manually	MAN	6x2	110	780-900	1250x960	180	662204518
SK-V 20	pneumatically	MAN	6 x 2	105	780-900	1250 x 960		662205517
SK-V 20	manually	Volvo	4x2 / 6x2	136	930	1250x1060	90	662204519
SK-V 20	pneumatically	Volvo	4 x 2	131	930	1250 x 1060		662205519
SK-V 20	manually	Volvo (light) / Renault *	4x2 / 6x2	129	930	1250x1060	90	662204520
SK-V 20	manually	Volvo (light) / Renault *	4x2 / 6x2	129	930	1250x1060	180	662204522
SK-V 20	pneumatically	Volvo (light) / Renault *	4 x 2	124	930	1250 x 1060		662205520
SK-V 20	manually	AU+NZ / Mercedes Benz MP4	4x2 / 6x2	113	952,6	1250 x 1060	90	662206401
SK-V 20	manually	AU+NZ / Mercedes Benz MP4	4x2 / 6x2	113	952,6	1250 x 1060	180	662206402
SK-V 20	pneumatically	AU+NZ / Mercedes Benz MP4	4 x 2	124	952,6	1250 x 1060		662206403

* Volvo: mounting of the versions only on auxiliary frames 11 to 50 mm above the vehicle frame

Volvo light: mounting of the versions only on auxiliary frames 0 to 10 mm above the vehicle frame

For 6 x 2 vehicles, we recommend you always call by telephone to confirm the installation height above the vehicle frame before ordering.

Dimensions



Fitting Instructions

SAF-HOLLAND sliders are type approved. Modifications on the slider exclude warranty claims, the liability for defects and cause also the expiration of the type approval.

We recommend you to verify the appropriate installation of the slider SK-V 20 by an authorised expert.

Please take note of the following points when installing sliders:

The slider may only be mounted on the vehicle by qualified personnel in suitable workshops.

The base rail must be rigidly attached to the frame of the tractor according to the vehicle manufacturers instructions and taking into account the forces occurring during operation.

The quantity and grade of the fasteners must adhere to the slider model and vehicle manufacturers look up table below. Incomplete attachment of the slider to the frame (e.g. leaving a fastener out) is not allowed.

The fastening elements must not obstruct the freedom of movement of the carriage.

Load capacity specifications apply to sealed roads and transport conditions normally found in Western Europe. Please consult us if conditions differ.

Mounting Kits for Slider SK-V 20

Type	Mounting	Model	Order no.
725	Mercedes Benz, Australia, New Zealand	12xM20	662101725
726	IVECO, MAN, DAF	14xM16	662101726
727	RVI Renault	12xM16	662101727
728	Volvo	20xM14	662101728
729	Scania	14xM18	662101729

SK-V 20 (Pneumatic)

Installation Kit for SK-V 20 SLIDER (Pneumatic model)

The Installation kit contains all components necessary for connecting the pneumatic sliders to the pneumatic system of the tractor

Type	Order no.
Installation kit (Air operated)	662101802



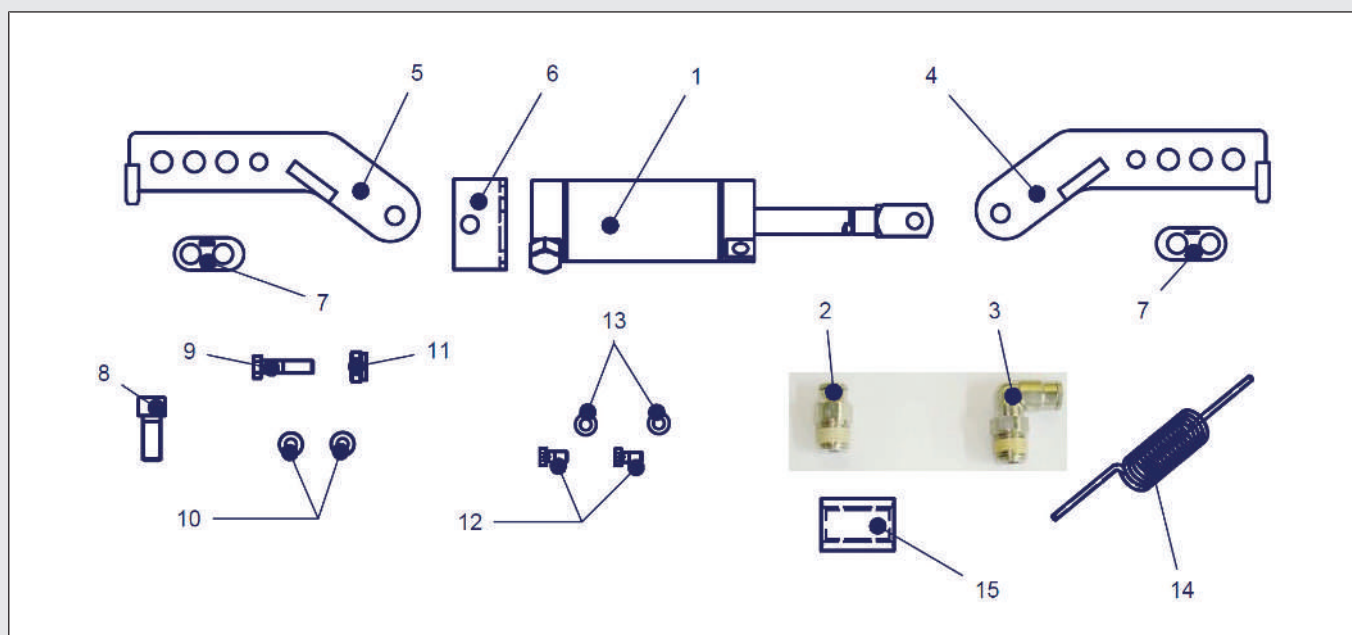
Item	Component	Dimensions	Pcs.	Order no.
1	Valves	3/2	1	659144155
2	Connector	1/8" swivel -6mm - DBV	3	659144158
3	Connector	T-piece - 6mm	1	659144159
4	Pneumatic tube	DIN 74324 - 6x1 - PHL - 10m	1	659144162
5	Sticker		1	659120421

Pneumatic Conversion Kit for SK-V 20 Slider (Pneumatic model)

The manually operated version of the slider SK-V 20 can be retro-fitted with a pneumatic locking mechanism. The slider does not have to be removed from the vehicle's supporting frame for retro-fitting. Retro-fitting should only be carried out by specially trained personnel.

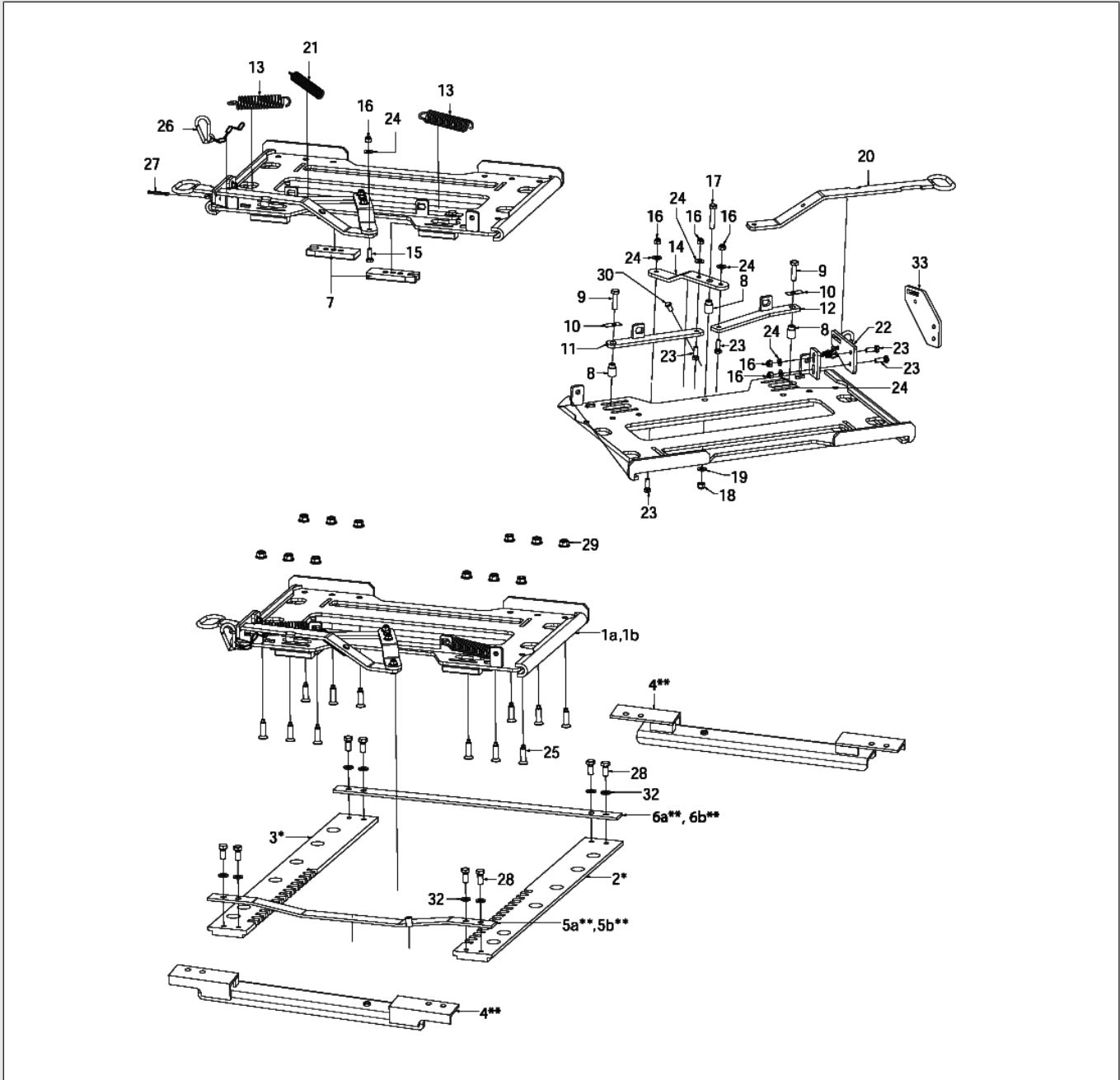
A conversion kit and an installation kit are both required for retro-fitting.

Type	Order no.
SK-V 20 Conversion kit (complete)	662101801



Item	Type	Note	Pcs.
1	Pneumatic cylinder assembly	EM-SPC/050150 Company Norgren	1
2	Connector	1/4" straight – 6 mm – self sealing thread	1
3	Connector	1/4" swivel – 6 mm – self sealing thread	2
4	Locking lever left		1
5	Locking lever right		1
6	Angle		1
7	Spacer		2
8	Hexagon socket screw	ISO 4762 – M14 x 35 – 10.9	4
9	Hex. bolt	ISO 4014 – M12 x 35 – 8.8	1
10	Washer	DIN 125 – A13	2
11	Nut	ISO 7040 – 8	1
12	Hex. bolt	DIN 6912 – M8 x 16 – 8.8	2
13	Washer	DIN 125 – A8.4	2
14	Spiraltube	DIN 74324 – 6 x 1 – PHL (Y)	1
15	Pneumatic adapter	(not shown)	1

Spare Parts SK-V 20



Item	Component	Model	Dimensions	Pcs.	Order no.
	Repair kit locking system (7, 8, 9, 10)			1	662101736
1a	Carriage		780-900	1	662205100
1b	Carriage		900+	1	662205102
2*	Slotted base rail left	without mounting hole		1	662205014
2*	Slotted base rail left	Iveco		1	662205016
2*	Slotted base rail left	Mercedes Benz		1	662205018
2*	Slotted base rail left	Scania		1	662205022
2*	Slotted base rail left	MAN		1	662205024

Item	Component	Model	Dimensions	Pcs.	Order no.
2*	Slotted base rail left			1	662205030
2*	Slotted base rail left			1	662205033
2*	Slotted base rail left			1	662206050
3*	Slotted base rail right	without mounting hole		1	662205015
3*	Slotted base rail right	Iveco		1	662205017
3*	Slotted base rail right	Mercedes Benz		1	662205019
3*	Slotted base rail right	Scania		1	662205023
3*	Slotted base rail right	MAN		1	662205025
3*	Slotted base rail right			1	662205031
3*	Slotted base rail right			1	662205034
3*	Slotted base rail right			1	662206051
4**	Cross member	Scania	6x2	2	662205090
5a**	Stopper ahead		780-900	1	662205032
5b**	Stopper ahead		900+	1	662206052
6a**	Stopper back		780-900	1	662205012
6b**	Stopper back		900+	1	662206053
7	Locking finger			2	662205035
8	Bush			3	662205036
9	Hex-screw			2	659112628
10	Locking plate			2	662205038
11	crank left			1	662205039
12	crank right			1	662205040
13	Return spring			2	662205041
14	crank			1	662205042
15	Hex-screw			1	659112632
16	Hex-nut		M8	5	662132215
17	Hex-screw			1	659112629
18	Hex-nut			1	659115514
19	Washer			1	662101472
20	Operating handle			1	662205048
21	Return spring			1	662205049
22	Lever support		90mm	1	662205050
23	Hex-screw		M12x35 - 8.8	5	659112630
24	Washer		A13	5	662132204
25	Countersink screw			12	662205054
26	Clipper with linkage			1	662100574
27	Cotter pin			1	662126184
28	Hex-screw			8	659112631
29	Hex-nut		M16x1,5 - 10	12	659115308
30	Bolt			1	659110217
32	U-washer		17x30	8	662126159
33	Lever support		180mm	1	662205051

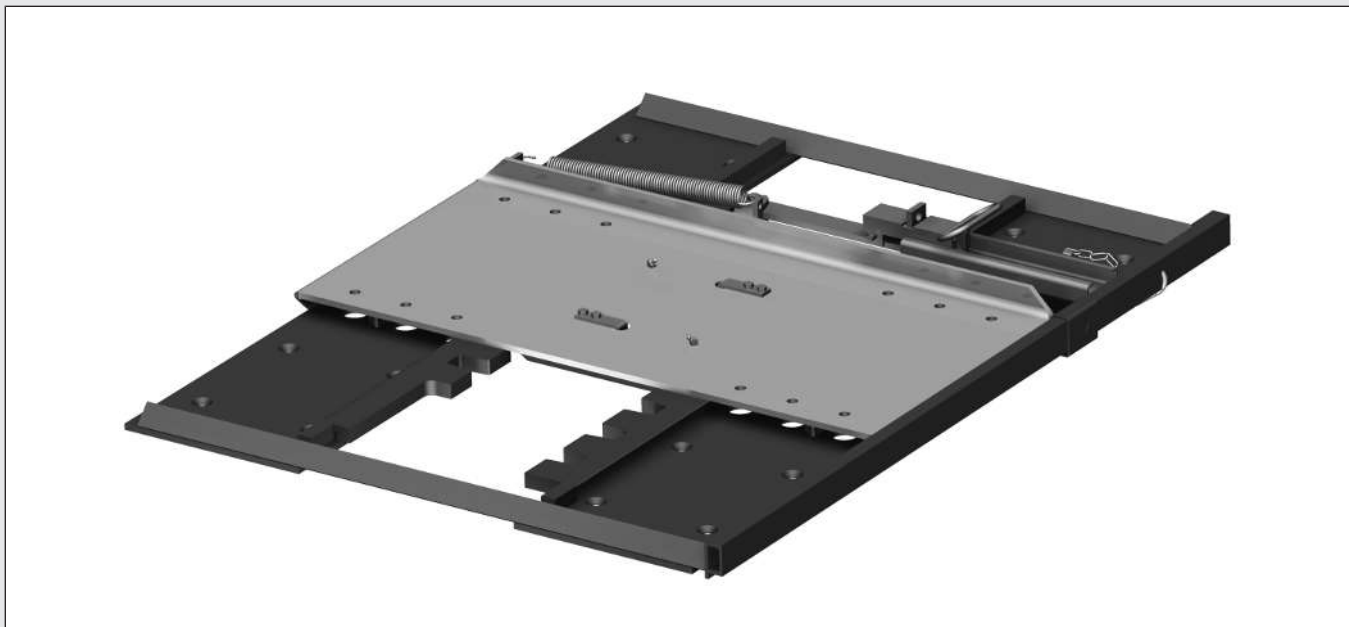
* Items 2 and 3: Slotted base rails in the standard version without holes and only available as set (left and right models)

** Scania 6x2 models: Items 5a and 6a replaced by 2 x item 4 crossbar

** Volvo model: Item 5b and 6b replaced by 2 x item 4 crossbar

** MAN 6x2 model: Item 5a replaced by 1 x item 4 crossbar

SK-V 22



The slotted base rails and mechanism for pre-selecting the slider position are firmly attached to the frame of the tractor. The carriage with the control and stopping mechanism is designed for mounting fifth wheels of all standard makes with an overall height of 150–190 mm.

- 7 selectable coupling points
- Total slider travel of 630 mm
- Overall height: 45 mm
- Approved for semi-trailer steering systems
- KTL anti-corrosion coating
- Imposed load: 22 t
- D-value: 162.4 kN

Technical Data on Slider

- Approved for forced steering
- Mounting hole pattern according to DIN 74081, 74084 and ISO 3842
- ECE type approval no.: E11-55R-01 0386

Type	Weight [kg]	Wide auxiliary frame [mm]	VE-Width [mm]	Order no.
SK-V 22	165	680 - max. 880	1005	662204007
SK-V 22	173	680 - Max. 970	1095	662204008

Load capacity specifications apply to sealed roads and transport conditions normally found in Western Europe. Please consult us if conditions differ.

We recommend using our mounting kits for mounting sliders, intermediate plates and fifth wheels, order no. 662 101 393.

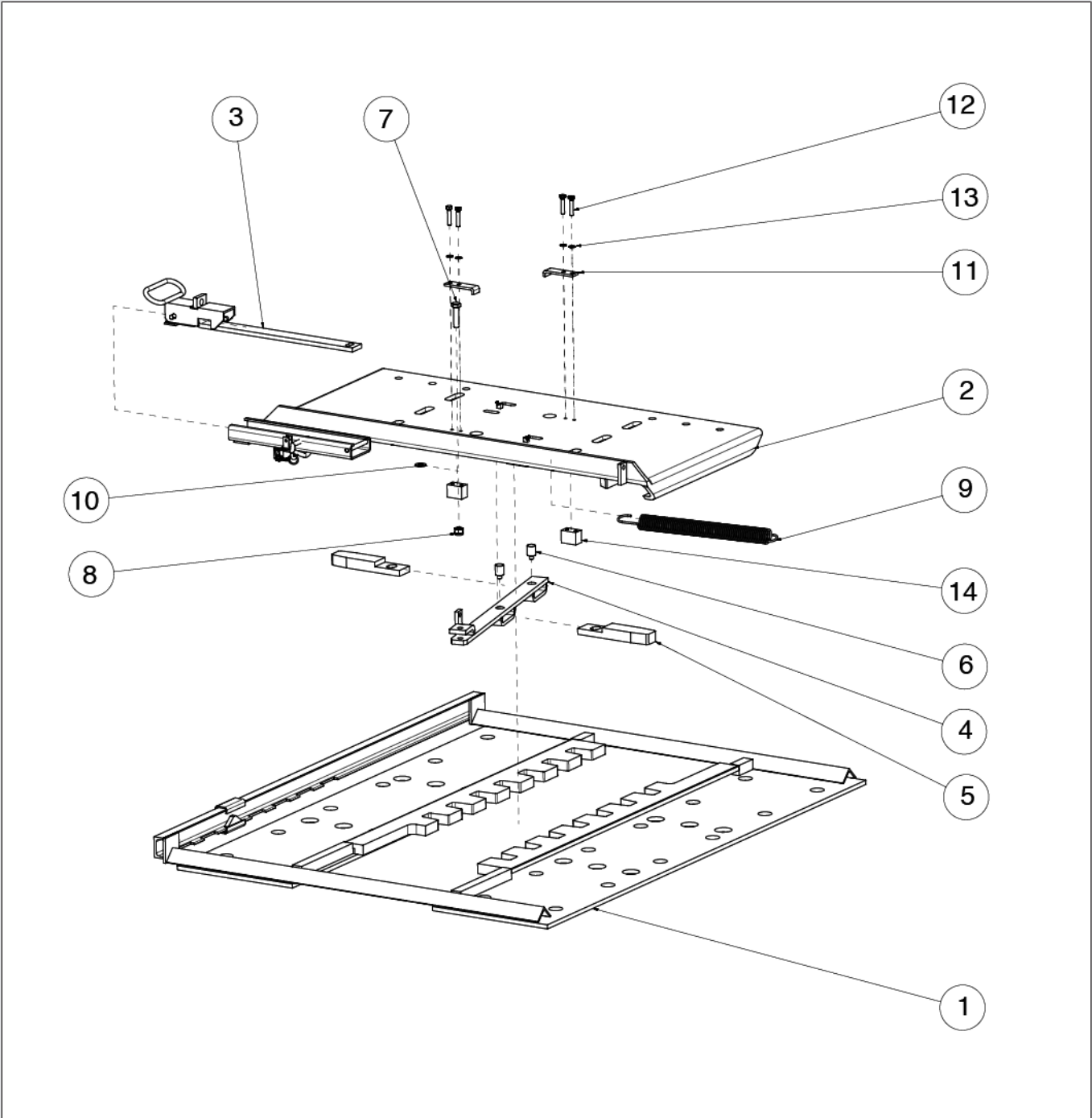
SK-V 22 was inspected and approved with the intermediate plates ZP 187 and ZP 188. The intermediate plates ZP 187 and ZP 188 have to be drilled in the corrugation grooves in order to be mounted on the vehicle frame.

Technical Data Intermediate Plate

- ECE type approval no.: E11 55R-010381

Type	Dimensions [mm]	Weight [kg]	Compatible with	Order no.
ZP 188	880±2 x 1370 x 22	69	SK-V22 662204007	662204188
ZP 187	970±2 x 1370 x 22	76	SK-V22 662204008	662204187

Spare Parts SK-V 22



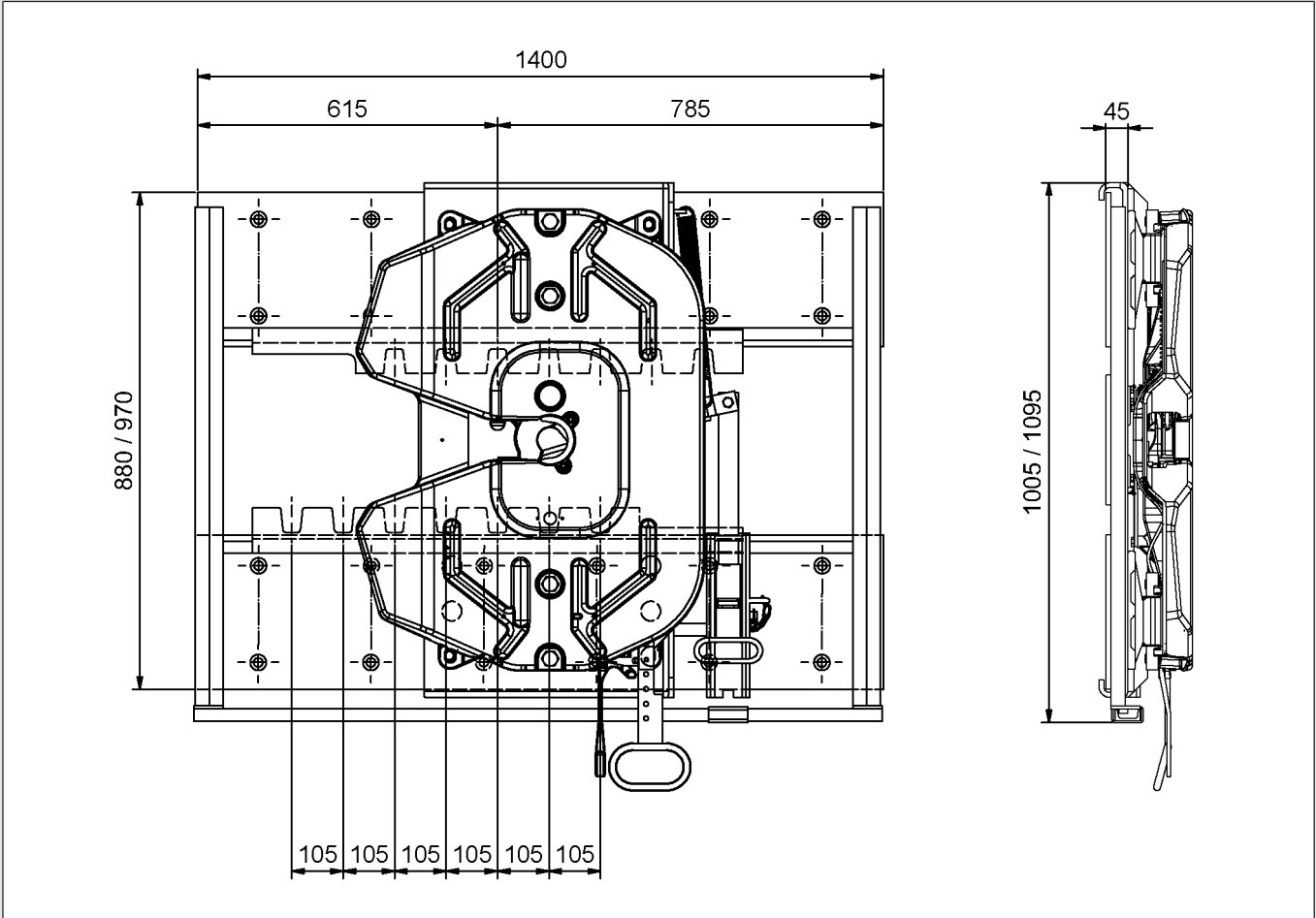
Spare parts for SK-V22 – 662 204 007

Item	Component	Dimensions	Pcs.	Order no.
	Repair kit locking mechanism cpl. (5, 6, 7, 8, 10, 11, 12, 13, 14)			662101764
	Repair kit Operating handle (007) (3, 7, 8, 9, 10)			662101778
1	Locking finder		1	662204179
2	Carriage (007)		2	662204170
3	Operating handle (007)		1	662204178
4	crank		1	662204169
5	Locking hook		2	662204131
6	Bolt		2	662204168
7	Hex-nut	M12x50	1	659100019
8	Hex-nut	M12x80	1	659115125
9	Return spring		1	662114112
10	Washer	A13	1	662132204
11	Locking plate		2	662204186
12	Hex-screw	SIO 4017 - M8x40	4	659100038
13	Spring washer		4	659100039
14	Stopper		2	662204202

Spare parts for SK-V22 – 662 204 008

Item	Component	Dimensions	Pcs.	Order no.
	Repair kit locking mechanism cpl. (5, 6, 7, 8, 10, 11, 12, 13, 14)			662101764
	Repair kit Operating handle (008) (3, 7, 8, 9, 10)			662101765
1	Locking finder		1	662204185
2	Carriage (008)		2	662204180
3	Operating handle (008)		1	662204184
4	crank		1	662204169
5	Locking hook		2	662204131
6	Bolt		2	662204168
7	Hex-nut	M12x50	1	659100019
8	Hex-nut	M12x80	1	659115125
9	Return spring		1	662114112
10	Washer	A13	1	662132204
11	Locking plate		2	662204186
12	Hex-screw	SIO 4017 - M8x40	4	659100038
13	Spring washer		4	659100039
14	Stopper		2	662204202

Dimensions



Fitting Instructions

Sliders are type approved. Modifications on the slider exclude warranty claims, the liability for defects and cause also the expiration of the type approval.

We recommend you to verify the appropriate installation of the slider SK-V 22 by an authorised expert.

Please take note of the following points when installing sliders:

The slider may only be mounted on the vehicle by qualified personnel in suitable workshops.

The base rail must be rigidly attached to the frame of the tractor according to the vehicle manufacturer's instructions and taking into account the forces occurring during operation. The slider is fastened to the vehicle frame via the countersunk holes in the base plate.

The permissible vertical loads on the tractor for the different positions must be entered clearly and indelibly in the areas provided on the manufacturer's plate.

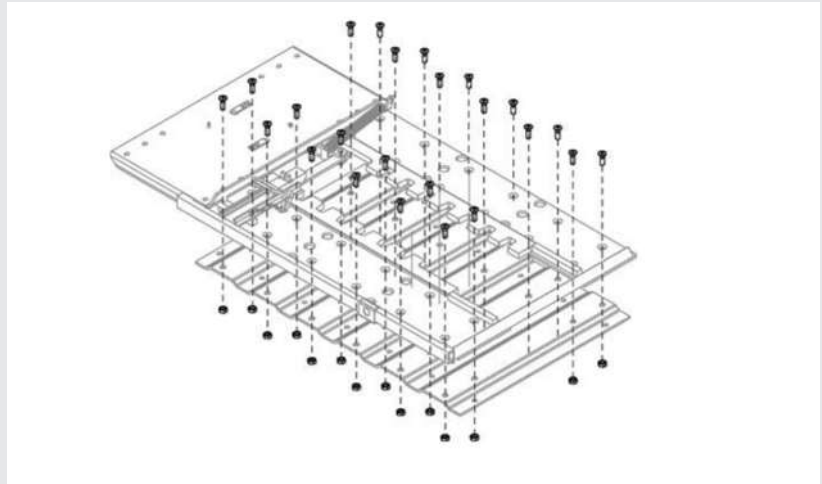
Mounting Kits SK-V 22

Type	Mounting	Order no.
Mounting kit 701	Slider on intermediate plate	662101701
Mounting kit 702	Intermediate plate on vehicle frame	662101702
Mounting kit 703	Fifth wheel SK-S 36.20 on slider	662101703
Mounting kit 551	SK (3½") on MP and FHR	662101551

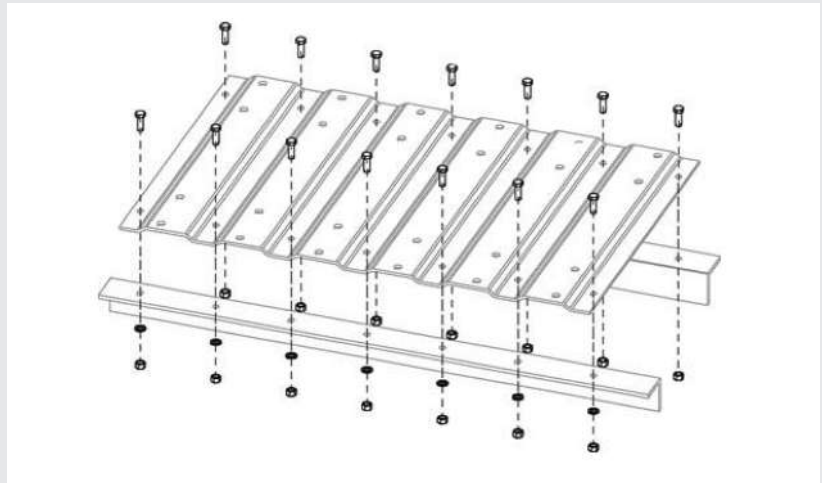
FHR = vehicle auxiliary frame

- Tightening torque for slider / intermediate plate fastening screws: 215 Nm
- All other fastening screws: 190 Nm

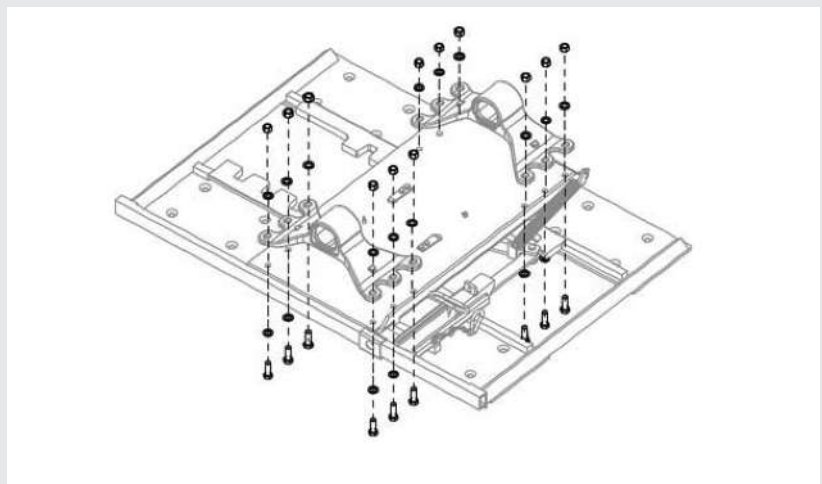
MOUNTING KIT 701 FOR SLIDER ON INTERMEDIATE PLATE



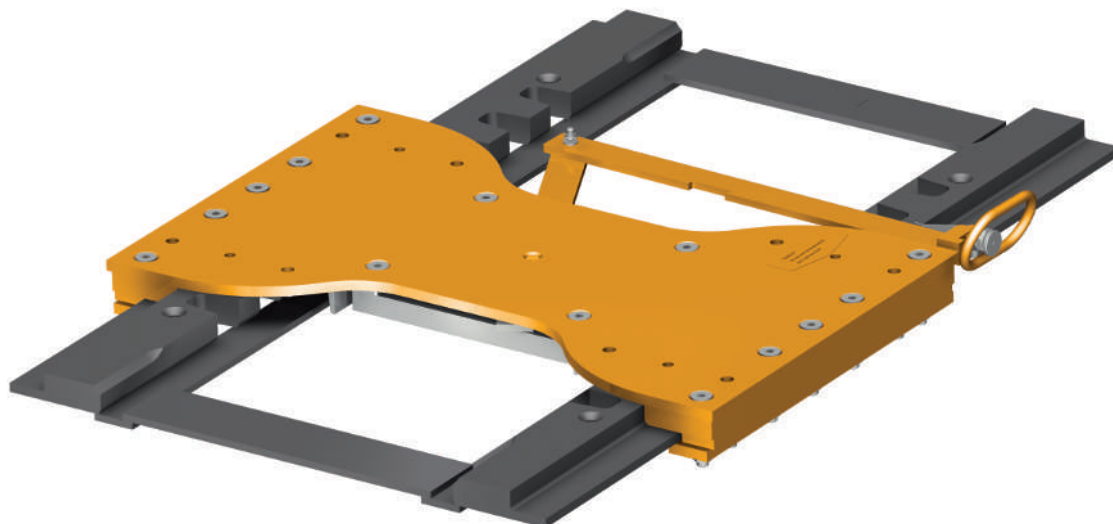
MOUNTING KIT 702 FOR INTERMEDIATE PLATE ON VEHICLE FRAME



MOUNTING KIT 703 FOR FIFTH WHEEL ON SLIDER

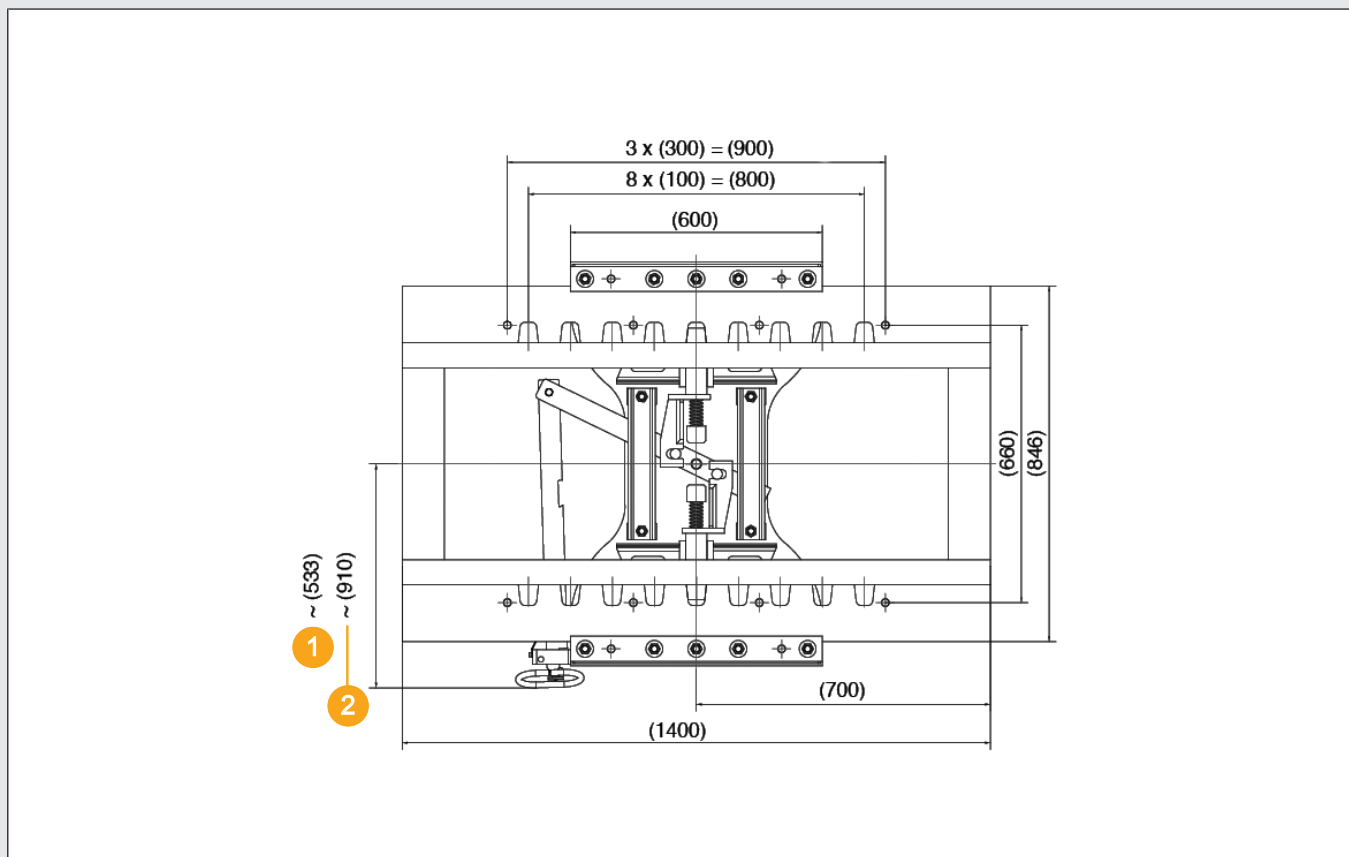


Heavy Duty Slider SK-V 36



- Imposed load: 36 t
- D-Value: 260 kN
- Weight: 223 kg
- Basic height: 57 mm
- Overall height: 58 mm
- Frame width: 760 - 800 mm
- Dimensions: 1400 x 850 mm
- KTL anti-corrosion coating
- 9 selectable coupling points
- Total slider travel of 800 mm
- Approved for forced steering
- Suitable for fifth wheels with hole pattern according to DIN 74081, DIN 74084 and ISO 3842
- Suitable for heavy duty fifth wheels up to amounting height of 190 mm
- Auxiliary frame for mounting on vehicle not included in delivery
- ECE type approval no.: E11-55R-01 7609

Dimensions

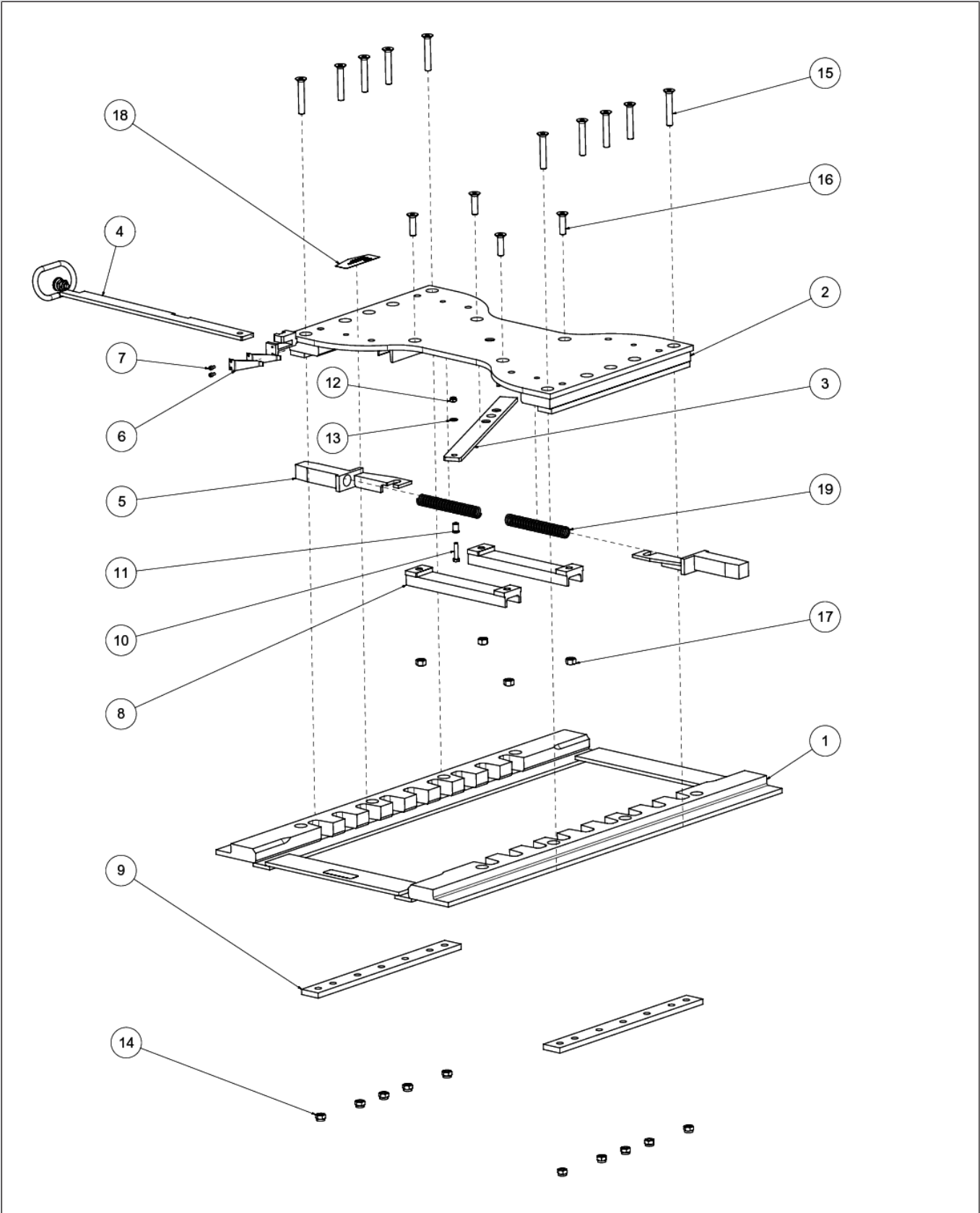


1	In position "locked"
2	In position "unlocked"

Technical Data

Type	Order no.
SK-V 36	662207001
for SK HD 38.36 on slider SK-V 36	662101584

Spare Parts SK-V 36



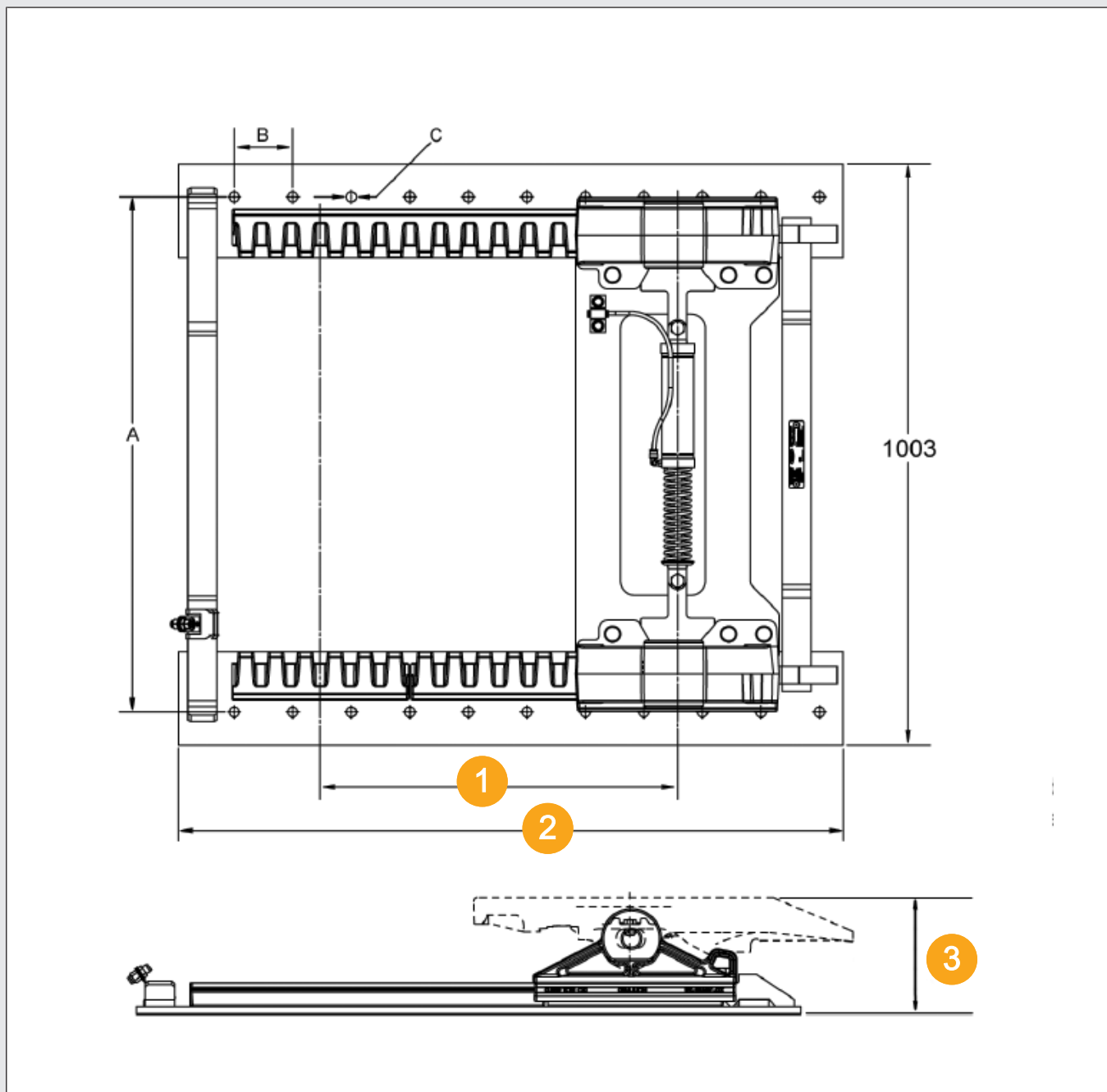
Item	Component	Dimensions	Pcs.	Order no.
	Repair kit locking mechanism cpl.			662101759
1	Locking finder		1	662207010
2	Carriage		1	662207012
3	crank		1	662207021
4	Operating handle		1	662207016
5	Locking finger		2	662207014
6	Spring plate		2	662207023
7	Hex socket head screw	M6x12	2	659112354
8	Towbar		2	662207019
9	Carriage		2	662207017
10	Hex socket head screw		1	659112357
11	Bush		1	659122076
12	Hex-nut		1	659100036
13	U-washer		1	662126175
14	Hex-nut		10	659115130
15	Countersink screw	M16x100 - 10.9	10	659112385
16	Countersink screw	M16x1,5x60	4	659100015
17	Hex-nut	VM 16x1,5	4	662101358
18	Instruction plate		1	659120425
19	Spring		2	662207022

ILS Slider



- Available for all HOLLAND standard fifth wheel top plates, FW3510.
- Standard travel lengths of 610 mm and 1220 mm, travel lengths of 915 mm and 1555 mm available to special order.
- Air release standard on all models.
- Fifth wheel position adjustable in 50.8 mm increments.
- Supplied pre-drilled for bolting directly to tractor unit mounting angels.
- D-value: 150 kN
- Overall height: 173, 198, 236 mm
- Imposed load: 20 t
- Weight: 217 - 276 kg
- ECE type approval no.: E11-55R-01 0056

Dimensions



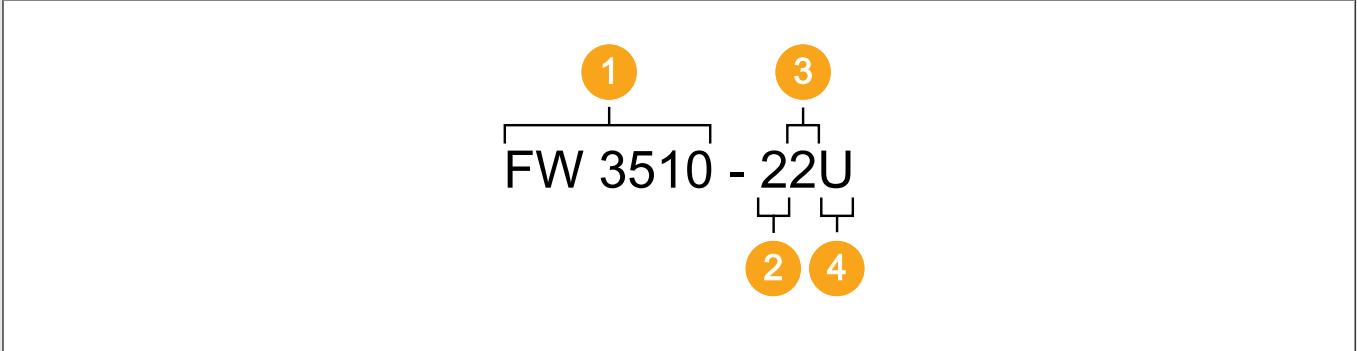
A	Hole centres	1	Slide travel*
B	Hole spacing	2	Slide plate length*
C	Hole size	3	Height*

Available to suit OEM chassis mounting angles

Part Number ILS Slider

Part number for complete sliding fifth wheel assemblies

Note: For all air operated sliding fifth wheel assemblies also order air control kit RK2500-10-A



(1)

Fifth wheel type	
FW3510	3510

(2)

Overall height Code	Actual height for model type* FW3510
1	173
2	198
3	236

(3)

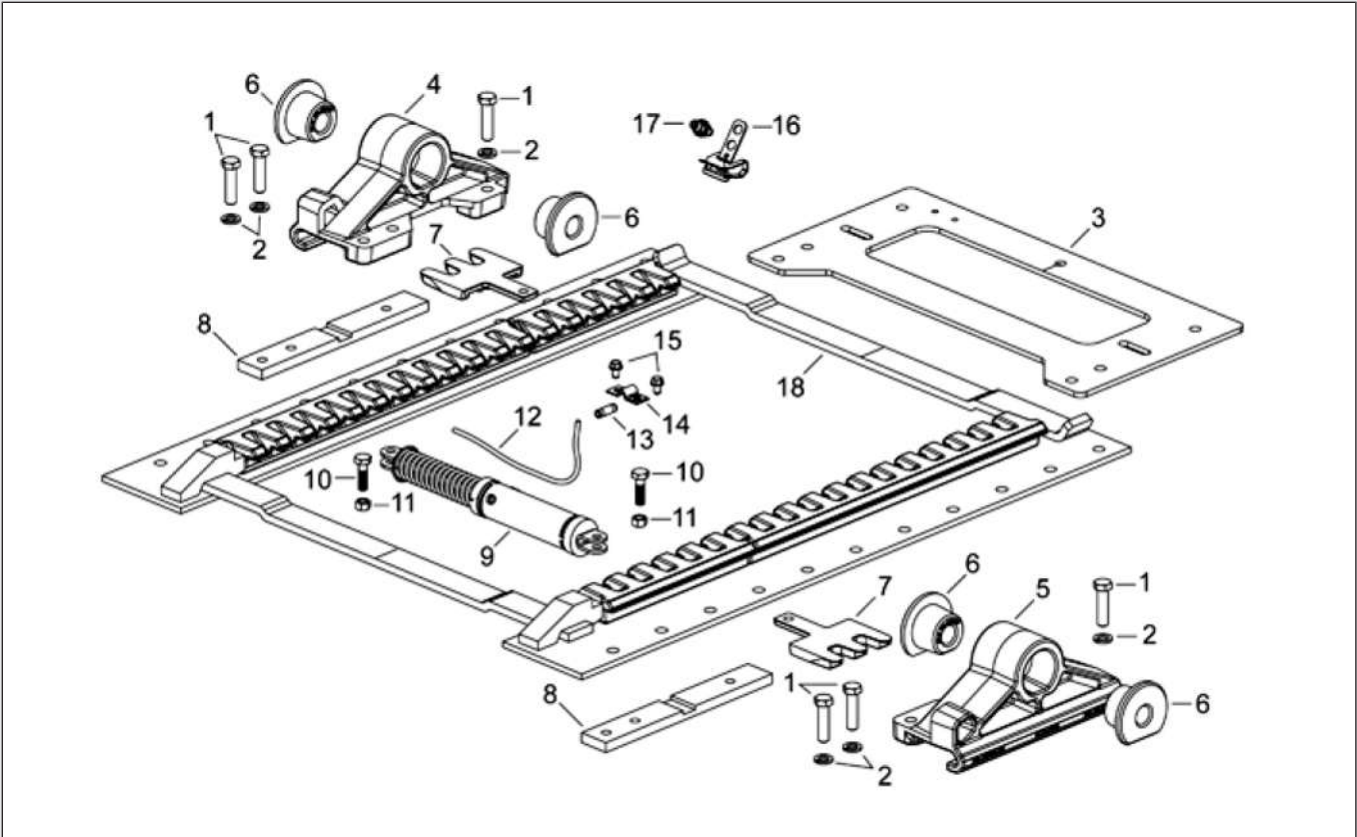
Length Code	Travel length*	Slide plate length*
1	305	830
2	610	1135
3	915	1440
4	1220	1745
5	1525	2050

(4)

Drilling pattern	
U	Undrilled
J	Mercedes-Benz
J1	Mercedes-Benz (949 mm)
Z	Iveco
S	Scania
G	MAN
PR	Volvo gen4 / RVI T-Serie (930-940 mm)

* All dimensions in millimetres

Spare Parts ILS Slider



Item	Component	Dimensions	Pcs.	Order no.
	Pneumatic kit		1	RK-2500-20A
1	Hex socket head screw	M16x60	6	XB-HCS-M16-90-Z
2	Spring washer	M16	6	XB-LW-M16-Z
3	Slider base		1	XA-10606-1
4	Mounting bracket left-low		1	XD-10689-1L
4	Mounting bracket left-medium		1	XD-10689-2L
4	Mounting bracket left-high		1	XD-10689-3L
5	Mounting bracket right-low		1	XD-10689-1R
5	Mounting bracket right-medium		1	XD-10689-2R
5	Mounting bracket right-high		1	XD-10689-3R
6	Rubber bush		4	XB-10605
7	Shoe S/A		2	XA-10604-1
8	Buffer		2	XA-10711-1
9	Air cylinder		1	XA-10700
10	Hex-screw	1/2 - 20x1,75"	2	XB-2083
11	Hex-nut	1/2"-20"	2	XB-T-69-A
12	Air line		1	XB-10809
13	Connector		1	XB-10815
14	Retaining clamp		1	XB-10816
15	Screw		2	XB-10814
16	Bracket		1	XA-10736
17	Rückwand-Schnellverbinder		1	XB-10748
18	Brake cylinder support	610 mm**	1	XA-E-2
18	Brake cylinder support	915 mm**	1	XA-E-3
18	Brake cylinder support	1220 mm**	1	XA-E-4
18	Brake cylinder support	1525 mm**	1	XA-E-5

** Designation for OEM specific hole spacing

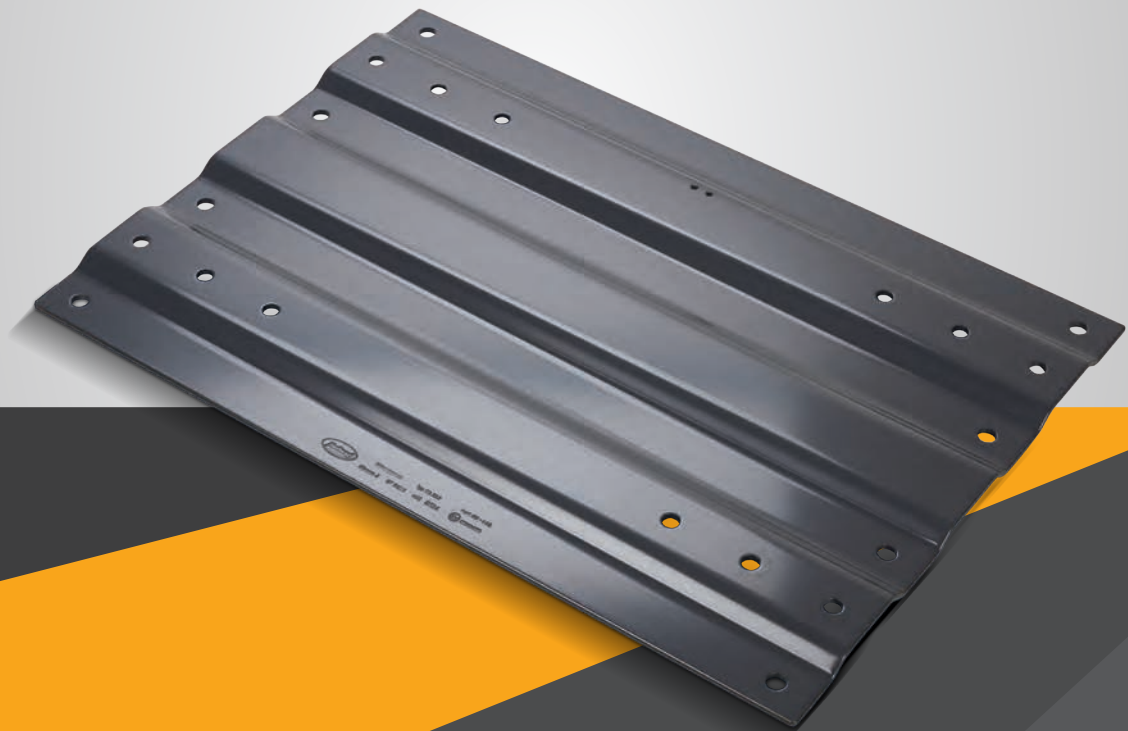
MOUNTING KITS FOR ILS SLIDER

Mercedes Benz MP3	662101791
IVECO	662101792
DAF, MAN, Volvo/Renault (M16)	662101793
Mercedes Benz MP4 /AU+NZ	662101794

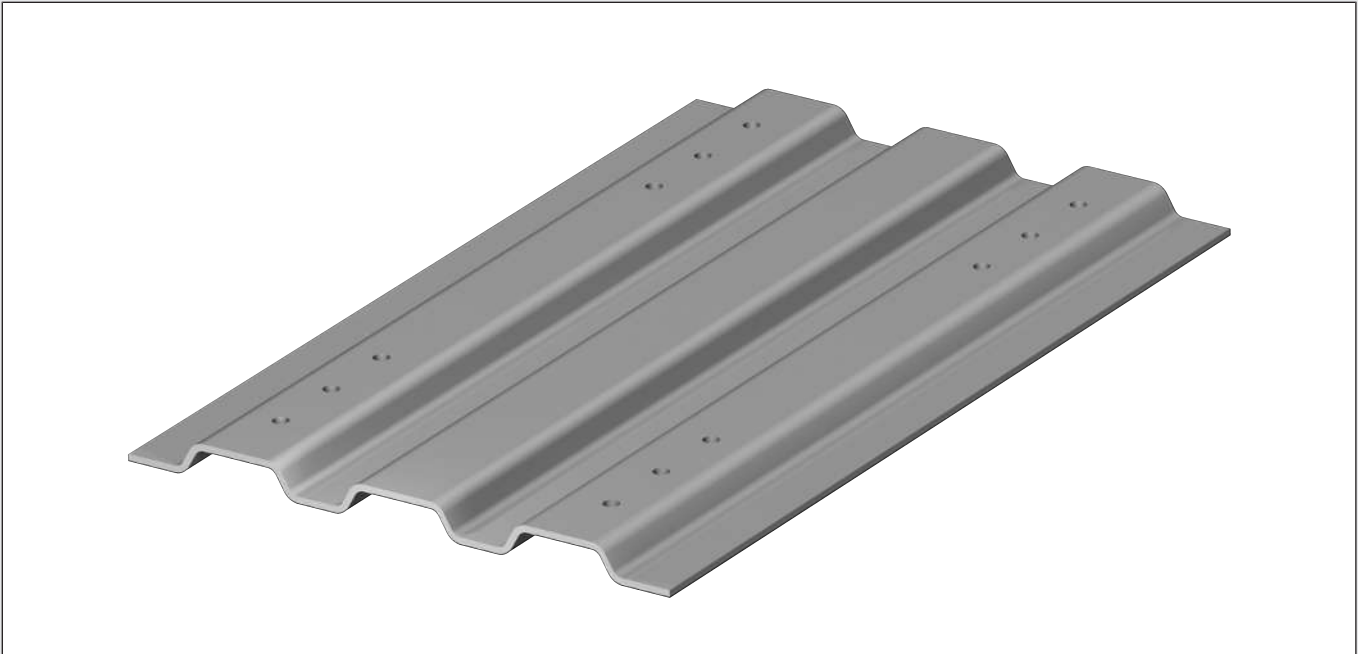
Mounting Plates

Pre-Drilled – Un-Drilled

Mounting Kits



Mounting plates without pre-drilled holes



- Made of high grade, weldable steel plate
- Approved for forced steering
- Mounting hole pattern according to DIN 74081, 74084 and ISO 3842
- Type approved

Mounting Plates without pre-drilled holes for fifth wheel up to 22 t imposed load

Mounting hole pattern according to DIN 74081 / ISO 3842

Type	Overall height [mm]	Imposed load [t]	D-value [kN]	Weight [kg]	A [mm]	B [mm]	Mounting kit SK-MP	Type approval	Order no.
MP 300	12	22	162,4	64,0	710	960	555	E11 55R-01 0379	662101300
MP 299	12	22	162,4	69,0	710	1060	555	E11 55R-01 0379	662101299
MP 644	12	22	162,4	64,0	715	960	555	E11 55R-01 0379	662101644
MP 486**	12	20	152,0	44,5	650	960	555	E11 55R-01 0953	662101486
MP 645**	12	20	152,0	51,0	715	960	555	E11 55R-01 0953	662101645
MP 549**	12	18	135,0	50,0	650	1060	555	E11 55R-01 6317	662101549
MP 648	12	22	162,4	58,0	650	960	555	E11 55R-01 0379	662101648
MP 672	12	22	162,4	64,0	650	1060	555	E11 55R-01 0379	662101672
MP 106	23	22	162,4	64,0	665	960	353	E11 55R-01 0380	662101106
MP 199	23	22	162,4	45,0	665	1060	353	E11 55R-01 0380	662101199
MP 646	23	22	162,4	48,0	765	960	353	E11 55R-01 0380	662101646
MP 060	40	22	162,4	45,0	665	960	498	E11 55R-01 0378	662101060
MP 078	40	22	162,4	49,0	665	1060	498	E11 55R-01 0378	662101078
MP 649	40	22	162,4	52,0	765	960	498	E11 55R-01 0378	662101649
MP 331**	100	16	108,0	81,0	710	970	498	E11 55R-01 0383	662101331

SK = fifth wheel, MP = mounting plate

* MP, suitable for SK-S 36.22 with an overall height of 132 mm

** MP with cut-out suitable for SK-S 36.20 with an overall height of 128 mm

For mounting widths wider than 930 mm, mounting plates of 1060 mm (B) are required.

Mounting Plates without pre-drilled holes for fifth wheel up to 36 t imposed load

Mounting hole pattern according to DIN 74084 / ISO 3842

Type	Overall height [mm]	Imposed load [t]	D-value [kN]	Weight [kg]	A [mm]	B [mm]	Mounting kit SK-MP	Type approval	Order no.
MP 301	16	36	280	84,2	710	960	553	E11 55R-01 0385	662101301
MP 302	16	36	280	94,0	710	1060	553	E11 55R-01 0385	662101302
MP 274	50	36	220	72,0	710	960	551	E11 55R-01 0387	662101274

Suitable for SK-HD 38.36 / G

Mounting plates with pre-drilled holes

The following mounting plates are already equipped with respective mounting hole patterns of the vehicle manufacturers.

Type	Overall height [mm]	OEM-Manufacturer hole pattern	Imposed load [t]	D-value [kN]	Weight [kg]	A [mm]	B [mm]	Type approval	Order no.
MP 525*	12	MAN	20	152	45	650	960	E11 55R-01 0953	662101525
MP 526*	12	Mercedes-Benz	20	152	45	650	960	E11 55R-01 0953	662101526
MP 527*	12	SCANIA	20	152	45	650	960	E11 55R-01 0953	662101527
MP 532	12	IVECO	22	162,4	63	715	960	E11 55R-01 0379	662101532
MP 544*	12	IVECO	20	152	51	715	960	E11 55R-01 0953	662101544
MP 630*	12	Renault	18	135	50	650	1060	E11 55R-01 6317	662101630
MP 631*	12	Mercedes-Benz	18	135	58	650	1010	E11 55R-01 6317	662101631
MP 594	12	SCANIA	22	162,4	58	650	960	E11 55R-01 0379	662101594
MP 577	40	SCANIA	22	162,4	54	775	960	E11 55R-01 0378	662101577
MP 440	23	SCANIA	22	162,4	41	665	960	E11 55R-01 0380	662101440
MP 574	23	MAN	22	162,4	41	665	960	E11 55R-01 0380	662101574
MP 586**	24	Mercedes-Benz	22	162,4	42,0	650	1010	E11 55R-01 0380	662101586
MP 595	23	SCANIA	22	162,4	48,0	765	960	E11 55R-01 0380	662101595
MP 441	40	SCANIA	22	162,4	45	665	960	E11 55R-01 0378	662101441
MP 596	40	SCANIA	22	162,4	52	765	960	E11 55R-01 0378	662101596
MP 632	12	Mercedes-Benz	22	162,4	61	650	1010	E11 55R-01 0379	662101632
MP 641	12	FORD	18	135	66	650	1050	E11 55R-01 6317	662101641
MP 640	12	FORD	22	162,4	69	710	1050	E11 55R-01 0379	662101640
MP 639	22	FORD	22	162,4	52	780	1050	E11 55R-01 0380	662101639
MP 638	40	FORD	22	162,4	57	780	1050	E11 55R-01 0378	662101638

* for SK-S 36.20 / overall height 128 mm (with cut-out)

** starting from Mercedes Actros MP4

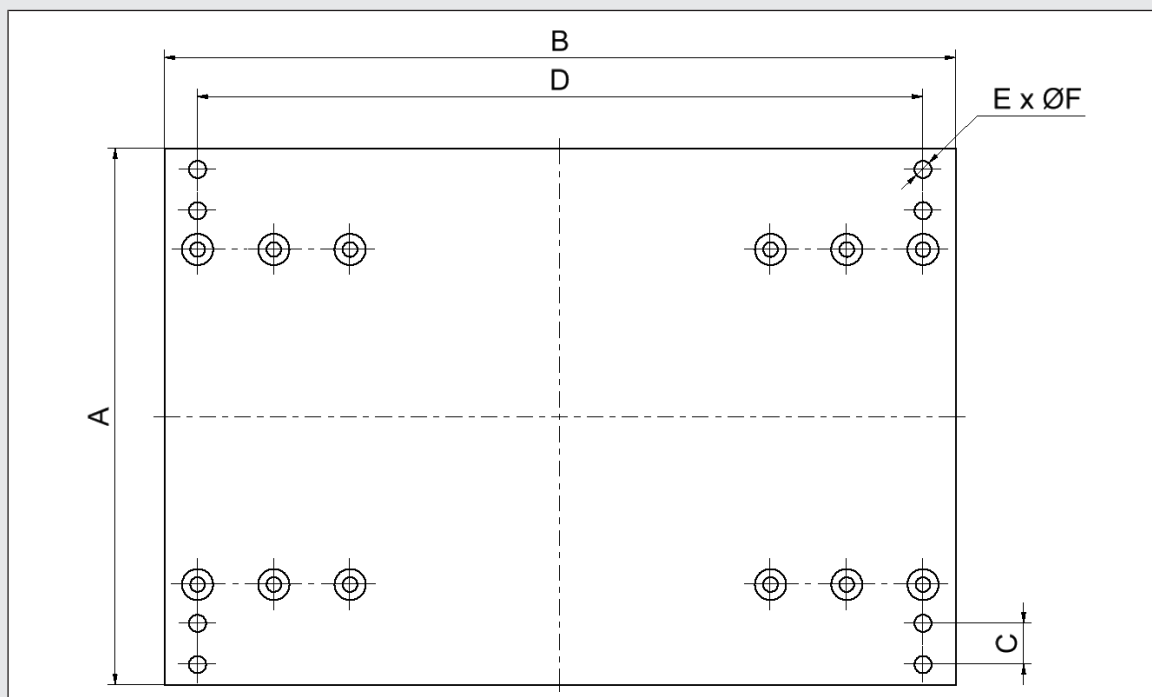
Technical Data and Useable Mounting Kits

Type	Overall height [mm]	Mounting kit SK-MP	Mounting kit MP-FHR	A [mm]	B [mm]	C [mm]	D [mm]	E [mm]	F [mm]
MP 525*	12	662101555	552	650	960	50,75	880	8	18
MP 526*	12		550	650	960	50	860	8	21
MP 527*	12		650	960	50	880	8	21	
MP 532	12		IVECO	715	960	45	860	12	19
MP 544*	12		IVECO	715	960	45	860	12	19
MP 630*	12		551	650	1060	50	940	12	18
MP 631*	12		550	650	1010	50	949	8	21
MP 594	12				650	960	50	880	8
MP 577	40			775	960	50	880	12	21
MP 440	23	662101498		665	960	50	880	8	19
MP 512	22	662101353	551	700	960	50	880	12	18
MP 574	23	662101498	552	665	960	50,75	880	8	18
MP 586	24	662101353		650	1010	50	949	8	21
MP 595	23	662101498		765	960	50	880	12	21
MP 441	40	662101353		665	960	50	880	8	19
MP 511	40	662101498	551	700	960	50	880	12	18
MP 596	40	662101498		765	960	50	880	12	21

SK = fifth wheel, MP = mounting plate, FHR = vehicle chassis

* for SK-S 36.20 / overall height 128 mm (with cut-out)

Dimensions



Mounting hole pattern according to DIN 74081

Mounting Kits

Important: SAF-HOLLAND mounting kits contain special screws and bolts which guarantee high quality and extra safe mounting of our products.

Type	Mounting	Model	Overall height [mm]	Order no.
514	SK on MP 16mm	4x (M16x50x1.5), 8x (M16x55)	16	662101514
353	SK (2") on MP	12x (M16x55x1.5) 8.8	22 - ...	662101353
498	SK (2") on MP	12x (M16x50x1.5)	24 - 150	662101498
452	SK on MP and FHR	4x (M16x50x1.5), 16x (M16x55x1.5)	12	662101452
550	MP on FHR (Mercedes-Benz Actros)	8x (M20x45x1.5)	12	662101550
551	SK (3½") on MP and FHR	12x (M16x60x1.5)	24 - ...	662101551
552	MP on FHR	8x (M16x50x1.5)	12 - 40	662101552
553	SK (3½") on MP, for MP 301, MP 302	4x (M16x60x1.5), 8x (M16x55x1.5)	16	662101553
555	SK (2") on MP	12x (M16x55x1.5)	12	662101555
556	SK on MP302 and FHR, includes 514 + 557		16	662101556
557	MP on FHR, for MP 302 (3½")	8x (M20x65x1.5)	16	662101557

SK = fifth wheel, MP = mounting plate, FHR = vehicle chassis

Mounting the fifth wheel on the mounting plate

For mounting fifth wheels as per DIN 74081, at least 8 high-tensile bolts are required, for fifth wheels as per DIN 74084, at least 12 high-tensile bolts, M16 or M16 x 1.5 of at least grade 8.8, in symmetrical order to the longitudinal and lateral axes of the fifth wheel.

Mounting the MP on the vehicle frame / angle

Install mounting plates on the vehicle according to the instructions of the vehicle manufacturer. In the absence of the vehicle manufacturer guidelines, we recommend:

For 2" fifth wheels as per DIN 74081, at least 4 high-tensile bolts, M16 x 1.5, of at least grade 8.8, or 4 high-tensile bolts, M20 x 1.5, of at least grade 8.8, on each side.

For 3½" fifth wheel as per DIN 74084, at least 6 high-tensile bolts, M16 x 1.5, of at least grade 8.8, or 4 high-tensile bolts, M20 x 1.5, of at least grade 8.8, on each side.

The mounting brackets and the mounting plate can be screwed by welded stop plates.

Tighten M16 x 1.5 bolts, of at least grade 8.8, with a torque of 190 Nm.

Tighten M20 x 1.5 bolts, of at least grade 8.8, with a torque of 350 Nm.

After assembling fifth wheels and mounting plates have to be approved by a national inspection authority.

Accessories

Anti-Theft Lock – Steering Wedge – Hubodometer –
SAF-O-Meter – RECOSS®



Anti-Theft Lock



- Extra sturdy and impact resistant spheroidal graphite cast iron housing
- Suitable for all construction types 2" and 3½" kingpins

Special tamper proof cylinder safety lock incl. 2 keys. Special locking combinations e.g. series if identical lock or with master lock for multiple use in big fleets.

Keyed alike locking system: If you have a keyed alike locking system, please state the key card number and send a copy of the key card. This is required for correct identification and subsequent delivery.



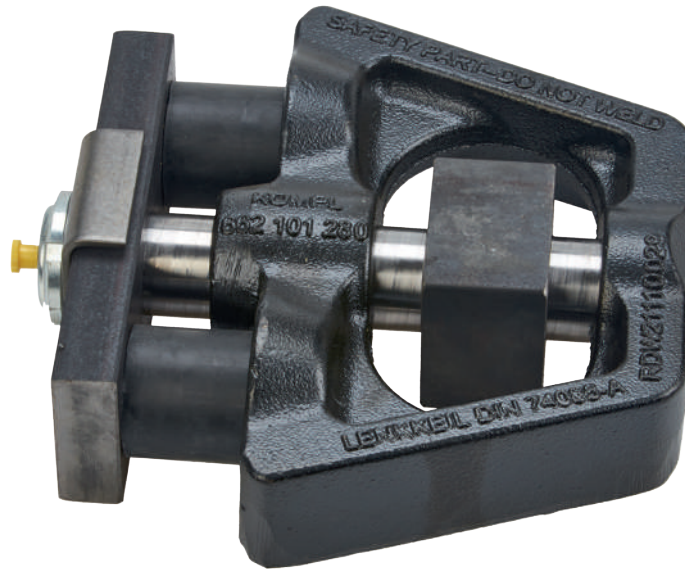
Technical Data - Anti-theft device 2"

Type	Weight [kg]	Overall height [mm]	Diameter Ø [mm]	Order no.
Anti-theft lock standard	5,4	92	260	662102031
Anti-theft lock identical lock	5,4	92	260	662102034
Cylinder key				662102038

Technical Data - Anti-theft device 3 1/2"

Type	Weight [kg]	Overall height [mm]	Diameter Ø [mm]	Order no.
Anti-theft lock standard	5,9	86	260	662102041
Anti-theft lock identical lock	5,9	86	260	662102044
Cylinder key				662102038

Steering Wedge



- Robust body made of spheroidal graphite cast iron
- The integrated rubber spring suspension with a spring extension of 18 mm, prevents jamming during driving.
- The steering wedge does not require any special maintenance and the integrated lubrication system makes servicing easy.

Technical Data

Type	Model	Type approval	Weight [kg]	Order no.
Steering wedge cpl.	gefedert	DIN 74085	12,2	662101280

Fitting Instructions

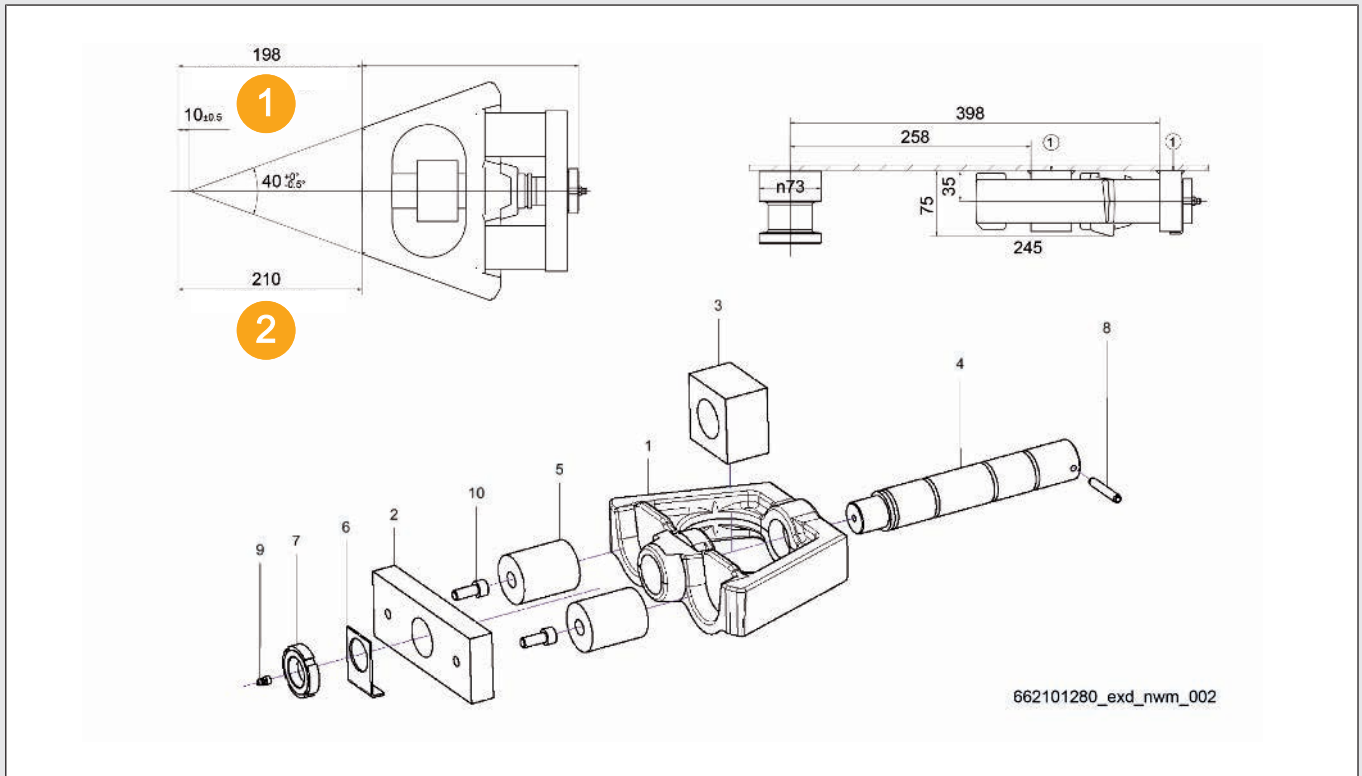
Fastening is carried out by a continuous weld seam (seam thickness 5 mm) of the bearing (1) on the trailer plate. We recommend the welding processes E II or MAG C. Only high quality filler material may be used.

Important: The specified assembly dimensions are to be strictly observed. These dimensions produce a theoretical initial tension of 12 mm. The total spring extension is 18 mm.

When mounted on the vehicle: $M_d = 400 \text{ Nm} \pm 20 \%$.

Bearing (Item 2 + 3): The wedge should not be welded tight.

Dimensions



1	uncoupled
2	coupled

Spare Parts

Item	Component	Pcs.	Order no.
	Steering wedge cpl.	1	662101280
1	Cotter	1	662101282
2	Bearing rear	1	662101279
3	Bearing front	1	662101278
4	Wedge-type guiding spindle	1	662101281
5	Rubber spring	1	662101310
6	Locking plate	1	662101374
7	Nut	1	659115126
8	Rollpin	1	659100022
9	Grease nipple	1	662126224

Hubodometer

Mileage Indicator for Trailers



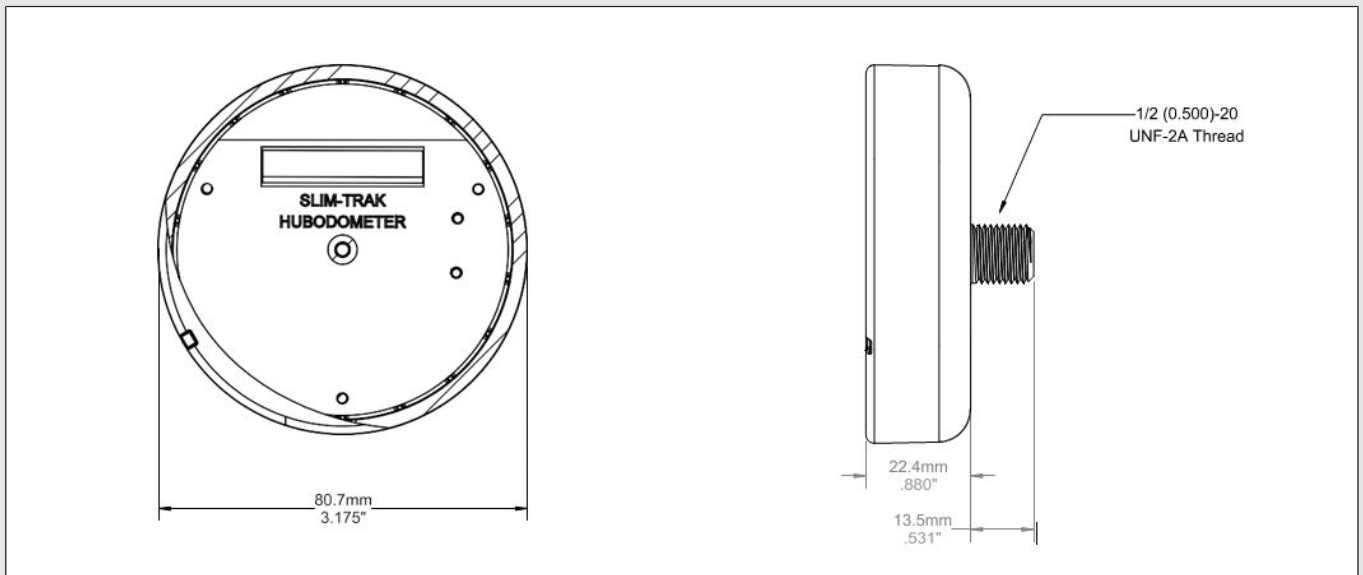
SAF-HOLLAND precision hubodometers are available for all conventional tyre sizes from 15" to 24".

When placing your order, it is important to indicate tyre size or rolling.

Technical Data

Type	Rolling circumference [mm]	Order no.
Hubodometer	2355 (2325 - 2400)	662025014
Hubodometer	2500 (2450 - 2550)	662025005
Hubodometer	2551 (2500 - 2600)	662025013
Hubodometer	2727 (2675 - 2775)	662025012
Hubodometer	2783 (2750 - 2825)	662025011
Hubodometer	2915 (2875 - 2975)	662025010
Hubodometer	3061 (3000 - 3125)	662025009
Hubodometer	3158 (3100 - 3200)	662025003
Hubodometer	3333 (3275 - 3400)	662025000
Hubodometer	3401 (3350 - 3450)	662025002
Hubodometer	3740	662025015

Dimensions



Fitting Instructions

For direct mounting on the hub cap:

The outside surface of the hub cap (contact area of the hubodometer) must be absolutely level. If necessary, turn or grind the surface until level. Drill a hole concentrically with a diameter of 1/2" and if necessary mill the inner side of the hub cap for the type of lock washer.

Important:

Maintain a safety margin of at least 5 mm between screw neck and axle arm. Other types of assembly are possible, e.g. at the flat steel hoop outside of the hub (customer supplied), however, ensure that the hubodometer is always arranged concentrically to the axle.

SAF-O-Meter

Mileage Indicator for Trailers



- Retrospective fitting with SAF-HOLLAND original parts is no problem

Technical Data

Type	Rolling circumference	Rolling circumference area [mm]	Order no.
Hubodometer	245/70R 17,5" - 235/75R 17,5"	2410 (2360 - 2455)	04388024101
Hubodometer	265/70R 19,5"	2640 (2590 - 2690)	04388026401
Hubodometer	445/45R 19,5"	2710 (2655 - 2765)	04388027101
Hubodometer	425/55R 19,5"	2910 (2850 - 2970)	04388029101
Hubodometer	385/55R 22,5"	3040 (2979 - 3100)	04388030401
Hubodometer	1R 22,5" / 295/80R 22,5"	3190 (3125 - 3250)	04388031901
Hubodometer	385/65R 22,5"	3250 (3185 - 3315)	04388032501
Hubodometer	425/65R 22,5"	3490 (3420 - 3560)	04388034901

For example: Tires: 385/65R 22.5" with rolling circumference (E.T.R.T. 0 norm): 3248 mm. This rolling circumference is most suitable for ranges 3185 and 3315.

So:

- SAF-O-Meter 04388032501
- Wheel cap 03304010302

Fitting Instructions

Before mounting, please ensure that you have received the correct SAF-O-Meter for your size of tires!

Axle series 06,
example: Axle model S9-4218



Wheel cap standard
03304010202

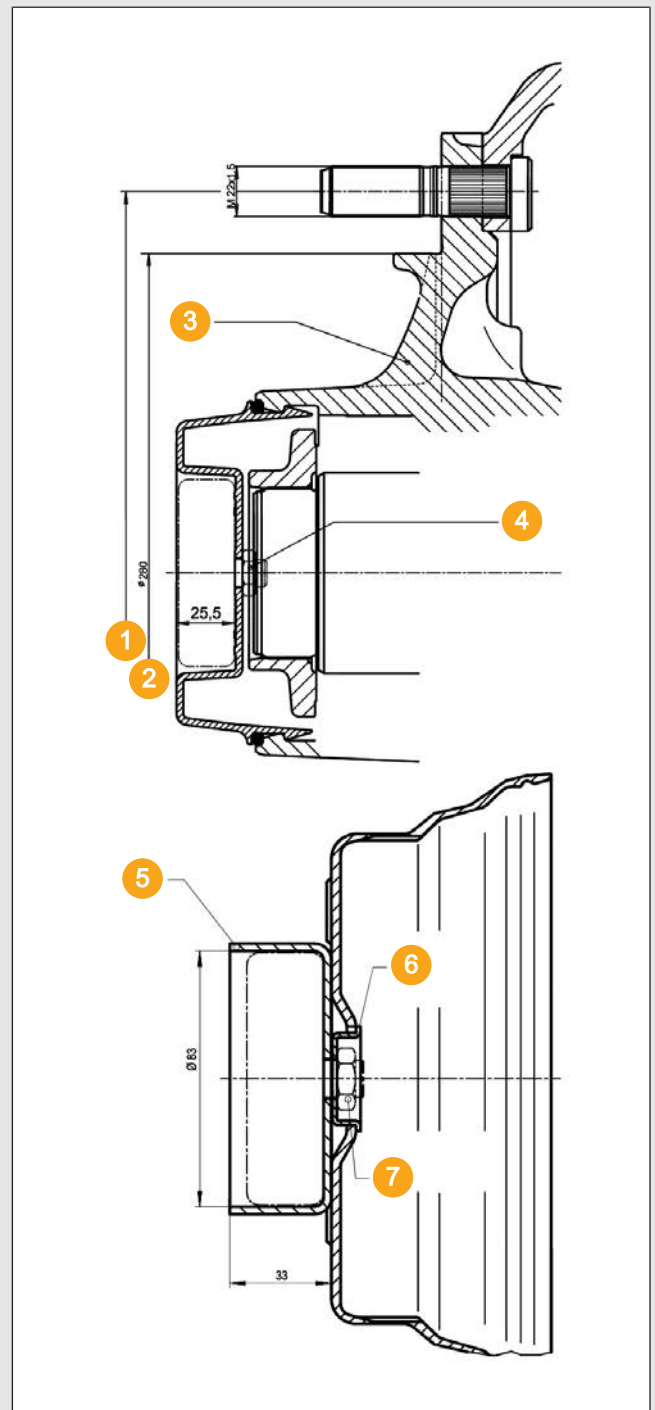
Axle series SK,
example: Axle model SK RZ 12037



Wheel cap for SAF-O-Meter
03304010302

The diagrams show how the SAF-O-Meter is fitted in the hub caps for the different axle models.

It is not important here which side of the vehicle the unit is fitted on, because the counter functions record the distances covered regardless of the direction of turning.

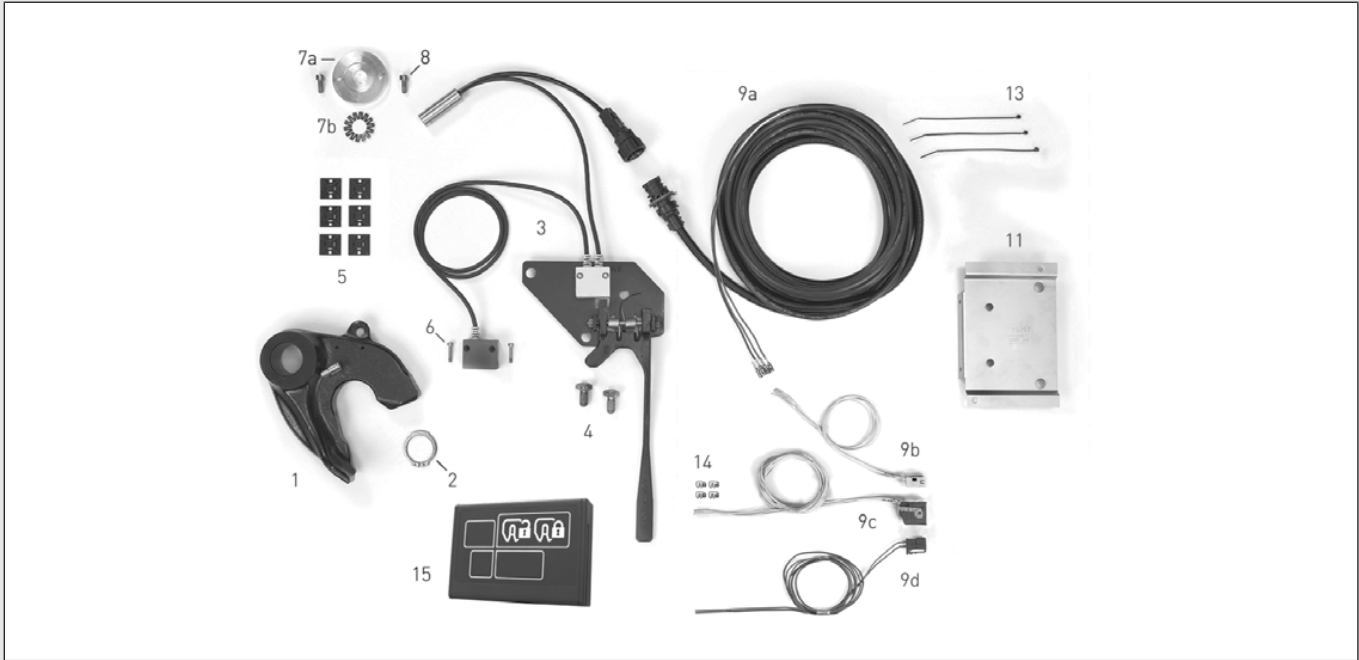


1	TK Ø 355 10 Bolt	5	Protection Cap
2	Ø 280	6	Spacer Ring
3	Wheel Hub	7	Tightening Torque SAF-O-Meter: 15Nm
4	Tightening Torque Nut: 15Nm		

RECOSS®

The Proven 3-Sensor Safety System

RECOSS® REPAIR KITS AND SPARE PARTS



Item	Component	Pcs.	Order no.
	Repair kit locking mechanism		662101716
	Repair kit locking mechanism		662101718
	Repair kit locking mechanism and bearings		662101717
	Repair kit locking mechanism and bearings		662101719
3-8	Repair kit sensor (3S)		662129427
1	Coupler jaw	1	662131115
2	Circlip	1	659100027
5	Mounting base	6	662129168
9	Cable kit RECOSS II standard (9a, 9b, 9c, 9d)	1	662129401
11	Adaptor	1	662129404
13	Cable clip	3	659100045
14	Label for indication element	1	662129190
15	Display unit Recoss II	1	662129445

REPAIR KITS SENSOR: MERCEDES-BENZ / RENAULT / VOLVO

Item	Component	Type	Pcs.	Order no.
	Repair kit locking mechanism	SK-S 36.20 S	1	662101768
	Repair kit locking mechanism and bearings	SK-S 36.20 S	1	662101769
	Repair kit locking mechanism	SK-S 36.20 WS		662101770
	Repair kit locking mechanism and bearings	SK-S 36.20 WS	1	662101771
	Repair kit locking mechanism	SK-S 36.20 S NoLube		662101772
	Repair kit locking mechanism and bearings	SK-S 36.20 S NoLube		662101773
	Repair kit sensor	Volvo FH new / Renault		662129493
	Repair kit sensor	Mercedes Benz		662129496

Order nos. 662101768 - 662101771 now apply for Volvo / Renault / Mercedes-Benz Actros new

Order nos. 662101772 - 662101773 now apply for Mercedes-Benz Actros new

SAF LiLube Lubricants

SAF LiLube Plus, SAF LiLube Expert, Grease Cartridge



SAF LiLube Lubricants



With its new line of lubricants, SAF-HOLLAND provides high-quality lubricants for your fleet.

Wheel bearings, kingpins or ball races – SAF-HOLLAND offers the lubricant you need. The selection of highly refined base oils and additives ensure smooth driving over a long period of application.

SAF-HOLLAND lubricants reduce wear and guarantee a consistent, long-lasting performance even under extreme conditions.

SAF-HOLLAND lubricants conform with REACH, CLP and meet current environmental standards.

Technical data sheets and application instructions must be followed. Safety data sheets are available upon request.

Technical Data

Qty. [kg]	Packaging	Description	Note	Old order number	Order no.
0,4	Cartridge	SAF LiLube Expert	Wheel bearing, KLK *		05387003004
0,150	Bag	SAF LiLube Expert	Wheel bearing, KLK *		05387301500
1,0	Can	SAF LiLube Expert	Wheel bearing, KLK *		05387003001
5,0	Bucket	SAF LiLube Expert	Wheel bearing, KLK *		05387003005
18,0	Bucket	SAF LiLube Expert	Wheel bearing, KLK *		05387003018
50,0	Bucket	SAF LiLube Expert	Wheel bearing, KLK *		05387003050
0,4	Cartridge	SAF LiLube Plus	Wheel bearing, KLK *		05387003104
1,0	Can	SAF LiLube Plus	Wheel bearing, KLK *		05387003101
5,0	Bucket	SAF LiLube Plus	Wheel bearing, KLK *	05387002606	05387003105
18,0	Bucket	SAF LiLube Plus	Wheel bearing, KLK *	05387002615	05387003118
50,0	Bucket	SAF LiLube Plus	Wheel bearing, KLK *	05387002650	05387003150
1,0	Can	SAF LiLube Easy Fit			05387004201

* In combination with central lubrication unit

Grease Cartridge for SK-S 36.20 W + FW3214-W



- Automatic single point long term dispenser for grease and oil
- No manual lubrication of lock mechanism required
- TÜV approved
- Contents: 125 ml
- Operating system: Hydrogen gas formation cell
- Operating pressure max. 3 bar
- Setting: continuous 1-12 months
- Average period of use approx. 6 months
- Operating temperature: -20 °C up to +55 °C ambient temperature
- Recommended storage temperature of 20 °C ± 5 °C

Technical Data

Type	Note	Dimensions [mm]	Weight [kg]	Connection	Order no.
Grease cartridge	125ml	100xØ52	0,190	R 1/4"	662131150
Adaptor	required for all SK-S 36 W version + FW2414-W			R 1/4" - M8x1	662131151
Connecting bend	required for all SK-S 36 W version + FW2414-W				662131152

Instructions

For higher or lower ambient temperatures or varying lubrication requirements, the grease quantity can be continuously adapted on a daily basis. An initial setting of level 6 is recommended.

- Application: The dispenser can be mounted in all conditions
- Important: do not expose directly to heat
- Use within 2 years filling date

The dispensed grease quantity per day is affected by the following:

- Ambient temperature
- Resistance / back pressure in lines
- Viscosity of grease

The simalube can be adjusted or shut off during the period of dispensing. The setting on the adjusting washer refer to standard conditions. It is recommended to check the function of the dispenser (piston movement, targeting unit) at regular intervals.

The trouble free functioning of the lubricant dispensing system is only guaranteed by using the recommended lubricant, the original simalube accessory program and observing the mounting, operating and maintenance regulations. Failure to observe these instructions excludes the manufacturer from liability for any resulting damages.

Safety Information

If the dispenser is put into operation without removing the seal, or if the grease channels of the installation are blocked, the pressure in the dispenser can rise to up to 5 bar. When an overpressure of 5 bar is reached, the dispenser bursts at the designated breakage point between housing and funnel. The pressure behind the piston is released and grease or oil can leak out from the designated breakage.

Kingpins

Type Approved Safety Parts, Drop Forged, and High-Grade Hardened and Tempered



Order Numbers

2" (Ø 50 mm)

NEW	OLD			Plate thickness [mm]
SAF 50S15	GF* 101 109	HOLLAND 65	HOLLAND OLD	
Kingpin, complete				
1030 30 000002 0	662 101 108	KP-E-65212	62218	12
1030 30 000003 0	662 101 119	KP-E-65210	62018	10
1030 30 000004 0	662 101 117	KP-E-65208	62818	8
		KP-E-65207	62718	7
1030 30 000005 0	662 101 491	KP-E-65206	62618	6
Flange				
2031 10 000002 0	662 101 107	XA-E-52212	51238	12
2031 10 000003 0	662 101 120	XA-E-52210	51038	10
2031 10 000004 0	662 101 118	XA-E-52208	51838	8
		XA-E-52207	51738	7
2031 10 000005 0	662 101 490	XA-E-52206	51638	6
Pin				
2108 10 000002 0	662 101 109	XA-E-51265	51050	
Bolts M14x30				
3 341 2928 08*	659 112 320			

3,5" (Ø 90 mm)

NEW	OLD			Plate thickness [mm]
SAF 90S15	GF* 101 169	HOLLAND	HOLLAND OLD	
Kingpin, complete				
1030 30 000009 0	662 101 170	KP-E-67312	62216	12
1030 30 000010 0	662 101 241	KP-E-67310	62016	10
1030 30 000011 0	662 101 304	KP-E-67308	62816	8
		KP-E-67307	62716	7
		KP-E-67306	62616	6
Flange				
2031 10 000002 0	662 101 107	XA-E-52212	51238	12
2031 10 000003 0	662 101 120	XA-E-52210	51038	10
2031 10 000004 0	662 101 118	XA-E-52208	51838	8
		XA-E-52207	51738	7
		XA-E-52206	51638	6
Pin				
2108 10 000005 0	662 101 169	XA-E-51367	51042	
Bolts M14x30				
3 341 2928 08*	659 112 320			

* must always be exchanged

2" (Ø 50 mm)

NEW	OLD			Plate thickness [mm]
SAF 50S18	GF* 102 022	HOLLAND 66	HOLLAND OLD	
Kingpin, complete				
1030 30 000012 0	662 102 604	KP-E-66216	62015	16
Flange				
2031 10 000009 0	662 102 207	XA-E-52016	51027	16
Pin				
2108 10 000006 0	662 102 022	XA-E-51266	51044	
Bolts M20x50				
2088 10 000006 0*	662 102 208			

3,5" (Ø 90 mm)

NEW	OLD			Plate thickness [mm]
SAF 90S18	GF* 102 021	HOLLAND 63	HOLLAND OLD	
Kingpin, complete				
1030 30 000014 0	662 102 603	KP-E-63316	62011	16
Flange				
2031 10 000009 0	662 102 207	XA-E-52016	51027	16
Pin				
2108 10 000007 0	662 102 021	XA-E-51363	51010	
Bolts M20x50				
2088 10 000006 0*	662 102 208			

* must always be exchanged

2" (Ø 50 mm)

GF*	HOLLAND	HOLLAND	Plate thickness [mm]
102 020	64	OLD	
Kingpin, complete			
662102600	KP-E-64212	62124	12
662102601	KP-E-64210	62104	10
662102602	KP-E-64208	62804	8
Flange			
662102200	XA-E-52112	51240	12
662102201	XA-E-52110	51040	10
662102202	XA-E-52108	51840	8
662102227			6
Pin			
662102020K	XA-E-51264	51063	
Wheel stud			
662102206			
Flat range nut			
662102211			
Spring washer			
662102212			

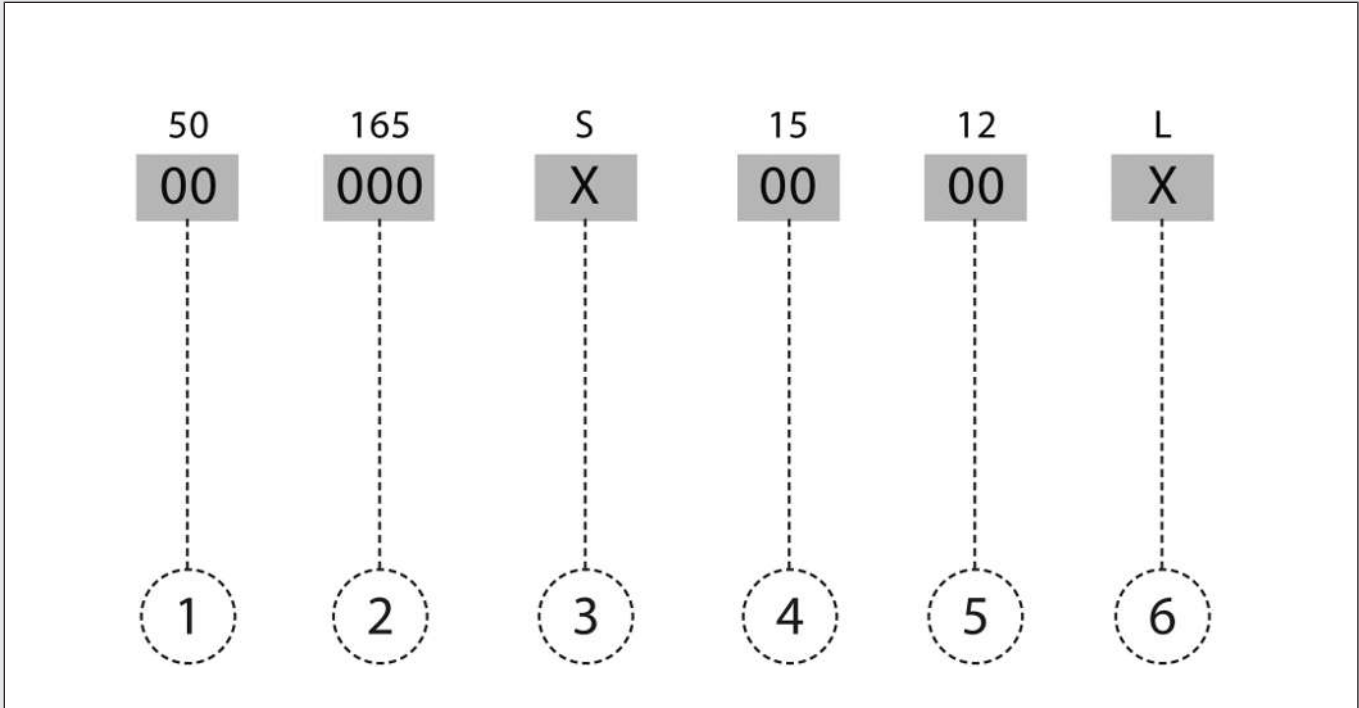
2" (Ø 50 mm)

GF*	HOLLAND	HOLLAND	Plate thickness [mm]
101 055		OLD	
Kingpin, complete			
662101057			12
662101171			10
662101074			8
662101369**			8
Bushing			
662101056			12
662101172			10
662101073			8
Pin			
662102055			
Washer			
659120236			
Castellated nut M56x2			
659115208			
Cotter pin			
659130023			

* No Type approval. No longer available.

** Without cone bushing

Type Marking



This example is a description of the type marking. The letters are marked with an "X" and the numbers with "0".

1	SIZE 50 = 2 inches / 90 = 3.5 inches
2	D-VALUE 165 = 165 kN / 175 = 175 kN / 320 = 320 kN
3	ATTACHMENTS S = with bolts
4	PITCH CIRCLE DIAMETER 15 = 150 mm / 18 = 180 mm
5	SEMI-TRAILER SKID-PLATE THICKNESS 06 = 6 mm / 08 = 8 mm / 10 = 10 mm / 12 = 12 mm / 16 = 16 mm
6	MARKING SPEC. TYPES L = steering

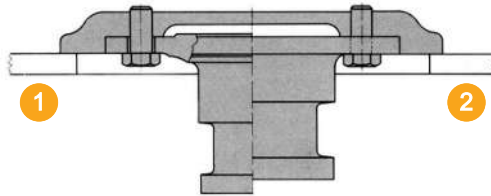
SAF kingpins may be installed using appropriate flanges from Georg Fischer +GF+ and HOLLAND.

Type		Fifth wheel skid plate	Type approval
50165S1506	50S15	6 mm	E1 55R – 01 2289
50165S1508		8 mm	
50165S1510		10 mm	
50165S1512		12 mm	
90165S1508	90S15	8 mm	E1 55R – 01 2371
90165S1510		10 mm	
90165S1512		12 mm	
50165S1816	50S18	16 mm	E1 55R – 01 2418
90320S1816	90S18	16 mm	E1 55R – 01 2426

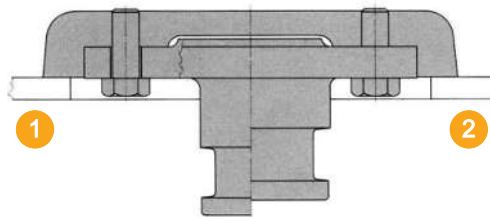


- Installation must be carried out in accordance with SAF-HOLLAND mounting and operating instructions, plus all applicable national regulations (e.g. in Germany StVZO).
- After dismantling, original SAF-HOLLAND screws must always be used for re-mounting.
- The permissible load limit (D-value) is valid for normal road traffic and under conditions prevailing in Europe. Please consult us in the event of any deviations from this.

Overview of Product Range



1	SAF 50S15 2"	2	SAF 90S15 3,5"
---	-----------------	---	-------------------



1	SAF 50S18 2"	2	SAF 90S18 3,5"
---	-----------------	---	-------------------

Type 50S15

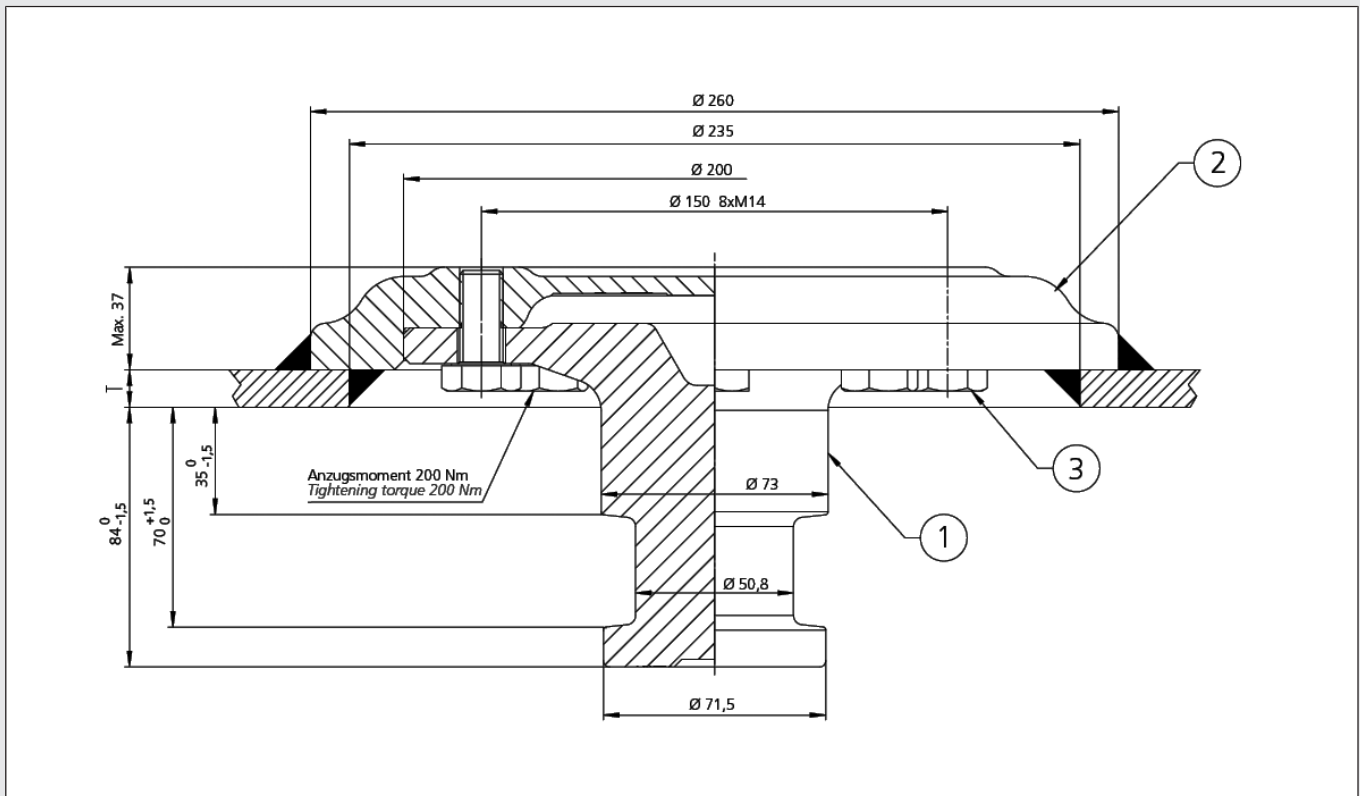


- Diameter (Inch): 2
- Mounting: bolted flange
- Type: flanged
- Pitch circle diameter (mm): 150
- D-value (kN): 165
- Weight (kg): 12.5

TYPE APPROVAL:

- ECE type approval no.: E1*55R01/09*2289*02

Dimensions



- Tightening torque SAF kingpin: 200 Nm

Technical Data

Item	Component	Nominal [Inch]	Plate thickness a [mm]	Plate thickness b [mm]	Colour code	Order no.
KZ	King pin cpl.	2	6	35 +2/-0		1030300000050
KZ	King pin cpl.	2	8	35 +2/-0	white	1030300000040
KZ	King pin cpl.	2	10	33 +2/-0	blue	1030300000030
KZ	King pin cpl.	2	12	33 +2/-0	yellow	1030300000020
1	King pin - Kit	2				662101109K
2	Mounting flange		6	35 +2/-0		2031100000050
2	Mounting flange		8	35 +2/-0	white	2031100000040
2	Mounting flange		10	33 +2/-0	blue	2031100000030
2	Mounting flange		12	33 +2/-0	yellow	2031100000020
3	Hex socket head screw M14x30 (8 pcs. per kingpin)					2088100000050

- Kingpins can be replaced from below
- With fitting option of pin (3½") no. 662 101 169K
- Note: Self-locking bolts may only be used once

Type 50S15L

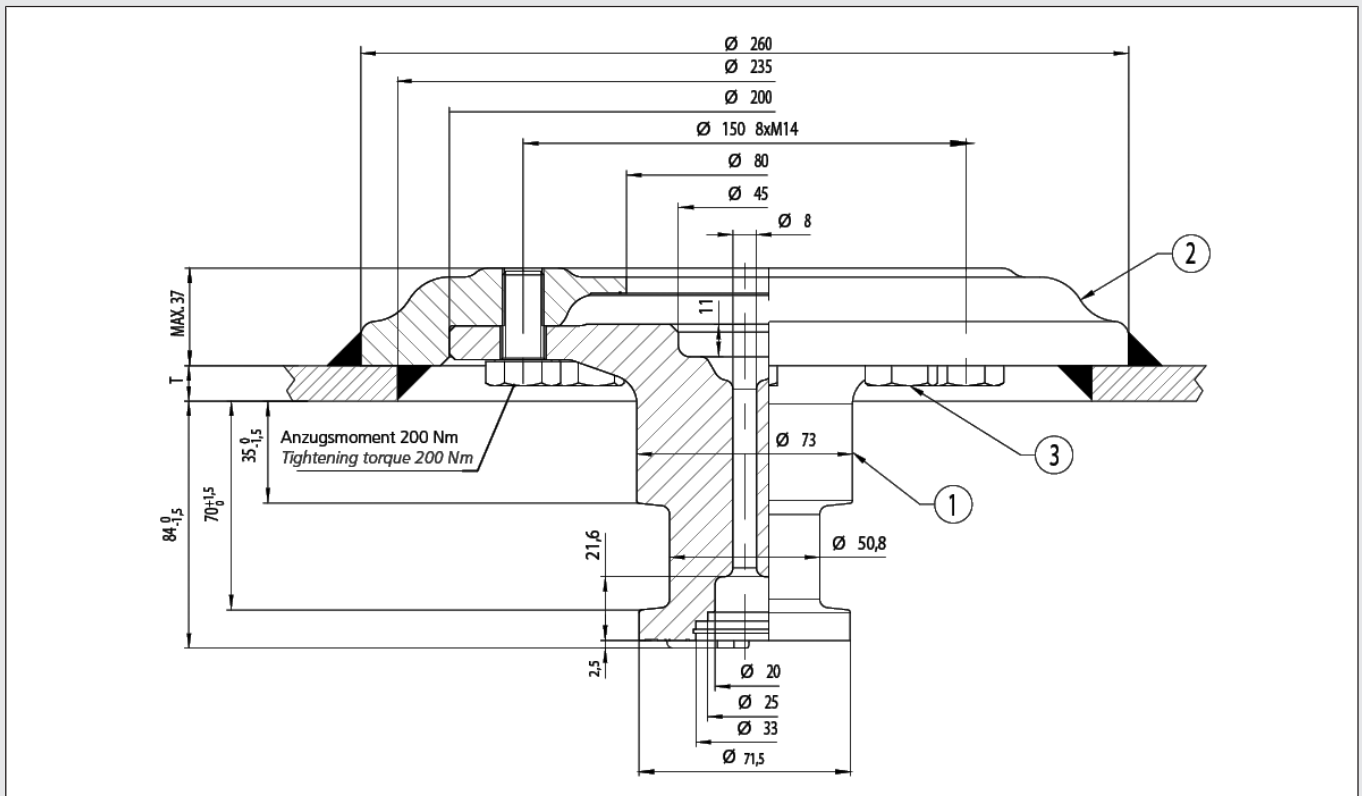


- Diameter (Inch): 2
- Pitch circle diameter (mm): 150
- D-value (kN): 165
- Weight (kg): 12

TYPE APPROVAL:

- ECE type approval no.: E1*55R01/09*2422*01

Dimensions



Technical Data

Item	Component	Nominal [Inch]	Plate thickness [mm]	Order no.
KZ	King pin cpl.	2	12	1030300000320
KZ	King pin cpl.	2	10	1030300000330
KZ	King pin cpl.	2	8	1030300000340
1	King pin - Kit	2		2108300000250
2	Mounting flange		12	2031100000060
2	Mounting flange		10	2031100000070
2	Mounting flange		8	2031100000100
3	Hex socket head screw M14x30 (8 pcs. per kingpin)			2088100000050

- Note: Self-locking bolts may only be used once

Type 90S15

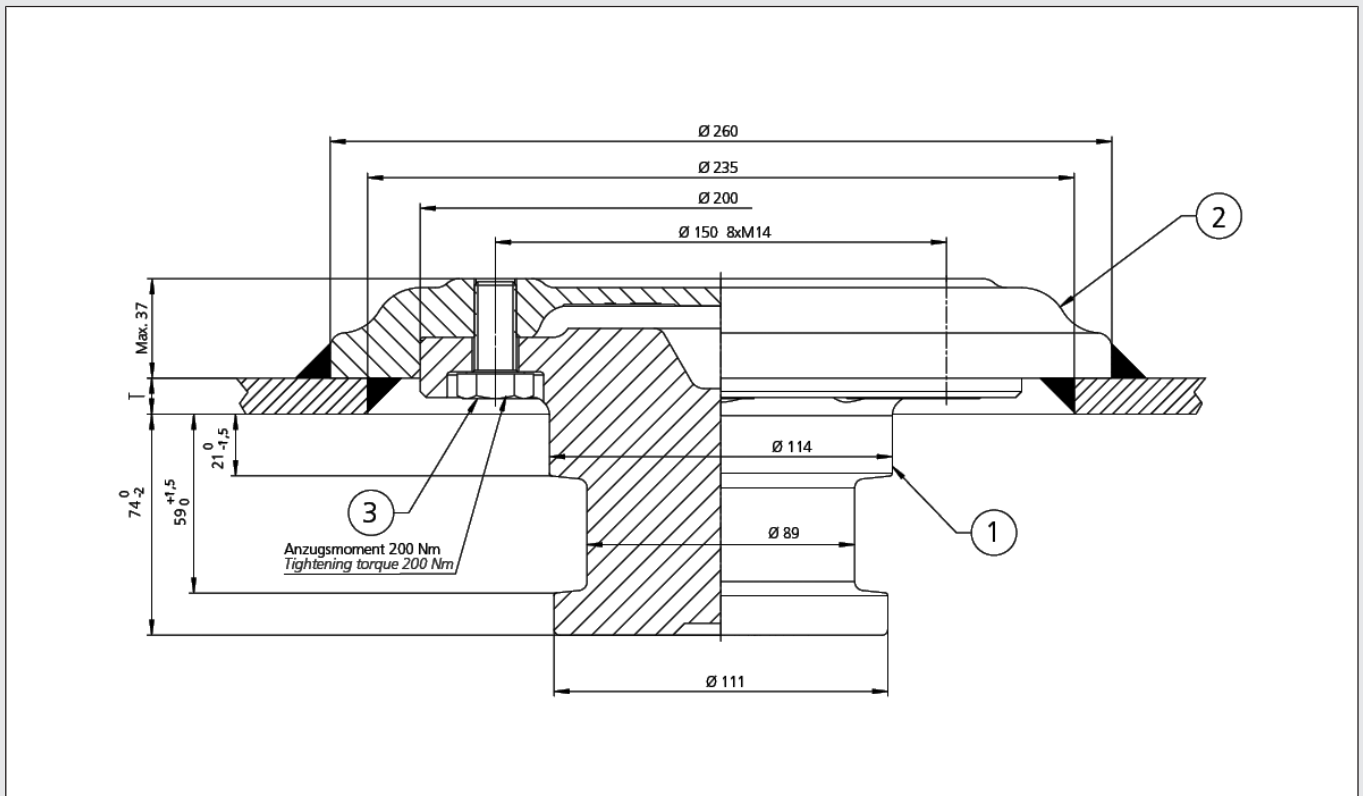


- Diameter (Inch): 3½
- Mounting: bolted flange
- Type: flanged
- Pitch circle diameter (mm): 150
- D-value (kN): 165
- Weight (kg): 17.0

TYPE APPROVAL:

- ECE type approval no.: E1*55R01/09*2371*02

Dimensions



- Tightening torque SAF kingpin: 200 Nm

Technical Data

Item	Component	Nominal [Inch]	Plate thickness a [mm]	Flange height b [mm]	Colour code	Order no.
KZ	King pin cpl.	3.5	8	35 +2/-0	white	1030300000110
KZ	King pin cpl.	3.5	10	33 +2/-0	blue	1030300000100
KZ	King pin cpl.	3.5	12	33 +2/-0	yellow	1030300000090
1	King pin - Kit	3.5"				662101169K
2	Mounting flange		8	35 +2/-0	white	2031100000040
2	Mounting flange		10	33 +2/-0	blue	2031100000030
2	Mounting flange		12	33 +2/-0	yellow	2031100000020
3	Hex socket head screw M14x30 (8 pcs. per kingpin)					2088100000050

- Kingpins can be replaced from below
- With fitting option of pin (2") no. 662 102 109K
- Note: Self-locking bolts may only be used once

Type 50S18



165 kN



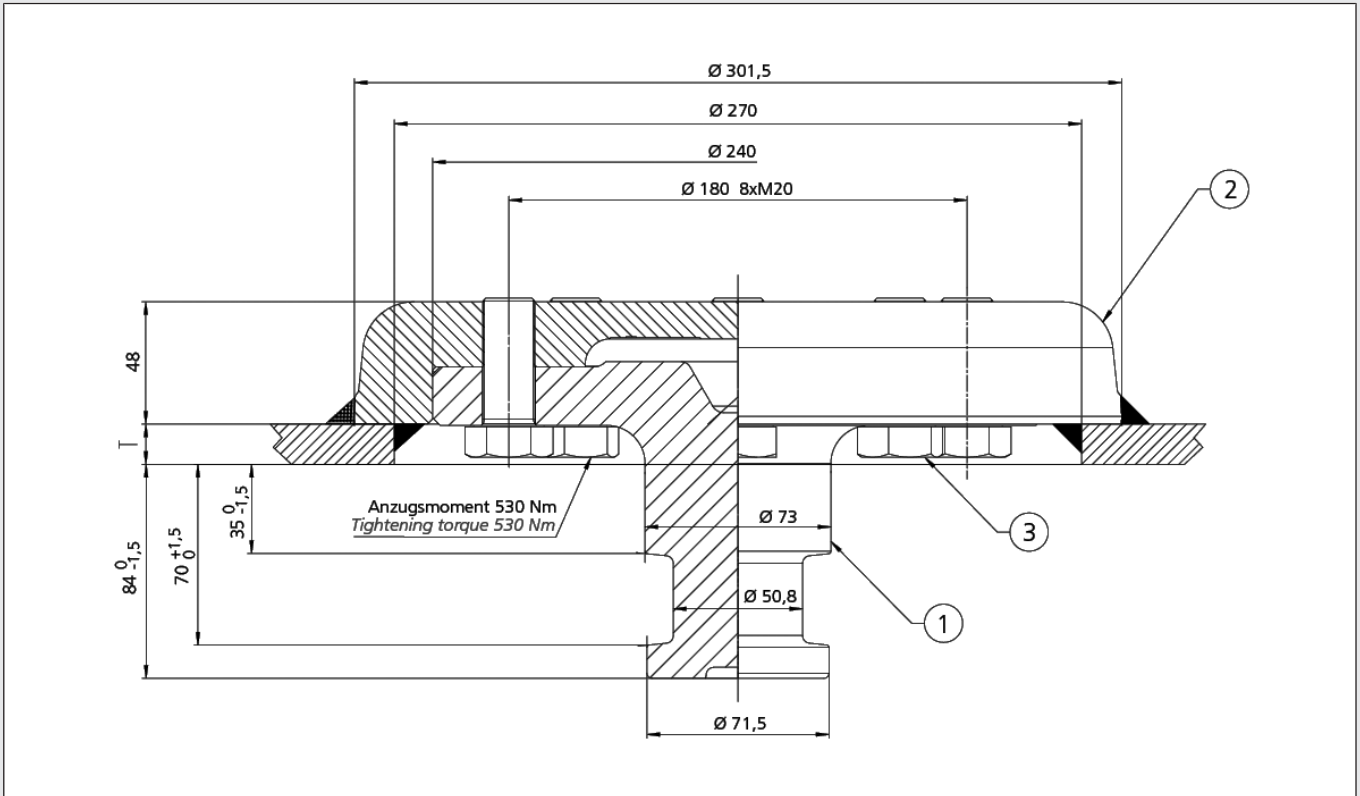
175 kN

- Diameter (Inch): 2
- Mounting: bolted flange
- Type: flanged
- Pitch circle diameter (mm): 180
- D-value (kN): 165
- Weight (kg): 27.5

TYPE APPROVAL:

- ECE type approval no.: E1*55R01/09*2418*01

Dimensions



Technical Data

Item	Component	Nominal [Inch]	Plate thickness [mm]	Order no.
165 kN				
KZ	King pin cpl.	2	16	1030300000120
1	King pin - Kit	2		662102022K
2	Mounting flange		16	2031100000090
3	Hex socket head screw M20x50 (8 pcs. per kingpin)			2088100000060
175 kN				
KZ	King pin cpl.	2	16	1030300000400
1	King pin - Kit	2		21083000000370
2	Mounting flange		16	2031100000090
3	Hex socket head screw M20x50 (8 pcs. per kingpin)			2088100000060

- Kingpins can be replaced from below
- With fitting option of pin (3½") no. 662 102 021K
- Note: Self-locking bolts may only be used once

Type 90S18

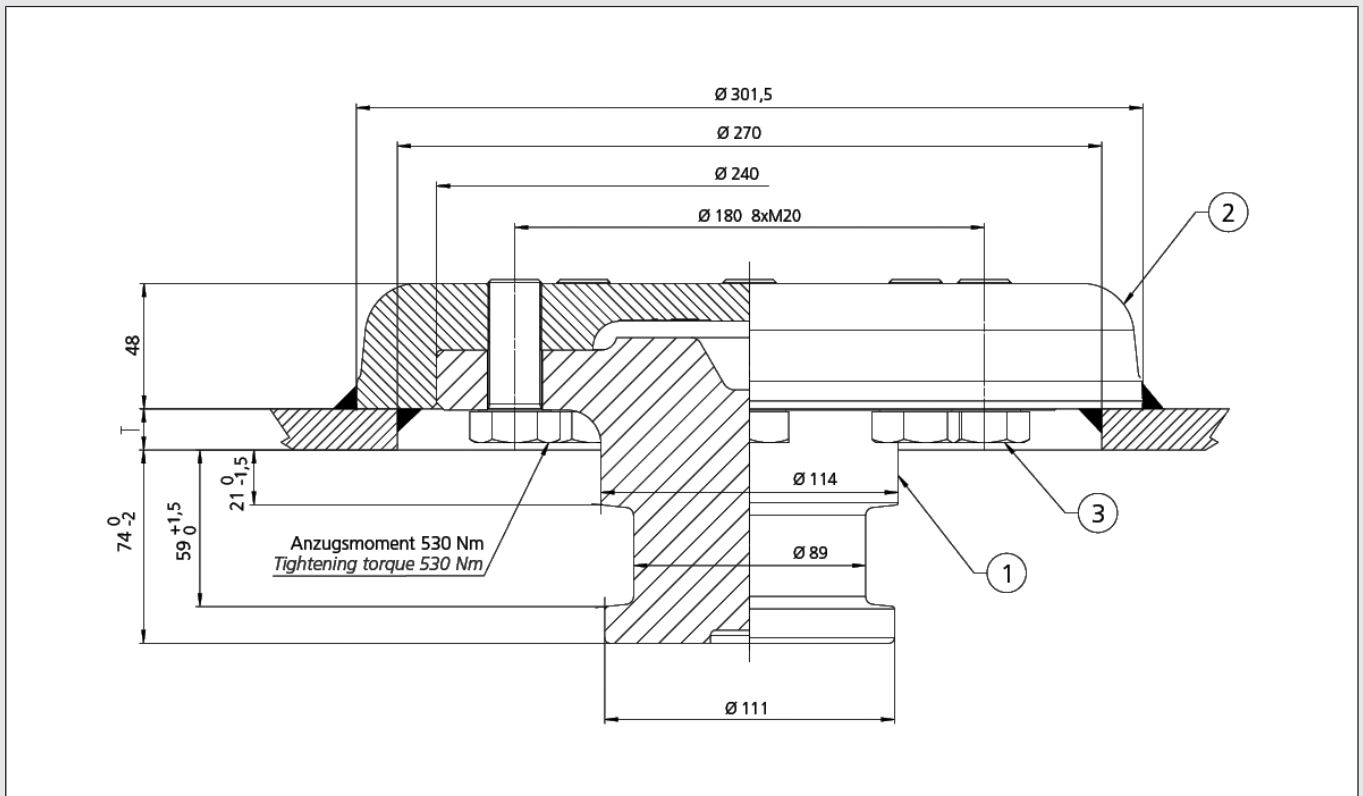


- Diameter (Inch): 3½
- Mounting: bolted flange
- Type: flanged
- Pitch circle diameter (mm): 180
- D-value (kN): 320
- Weight (kg): 30.7

TYPE APPROVAL:

- ECE type approval no.: E1*55R01/09*2426*01

Dimensions



Technical Data

Item	Component	Nominal [Inch]	Plate thickness a [mm]	Flange height b [mm]	Order no.
KZ	King pin - Kit	3.5	16	48	1030300000140
1	King pin - Kit	3.5			662102021K
2	Mounting flange		16	48	2031100000090
3	Hex socket head screw M20x50 (8 pcs. per kingpin)				2088100000060

- Kingpins can be replaced from below
- With fitting option of pin (2") no. 662102022K
- Note: Self-locking bolts may only be used once

Type 90S18L

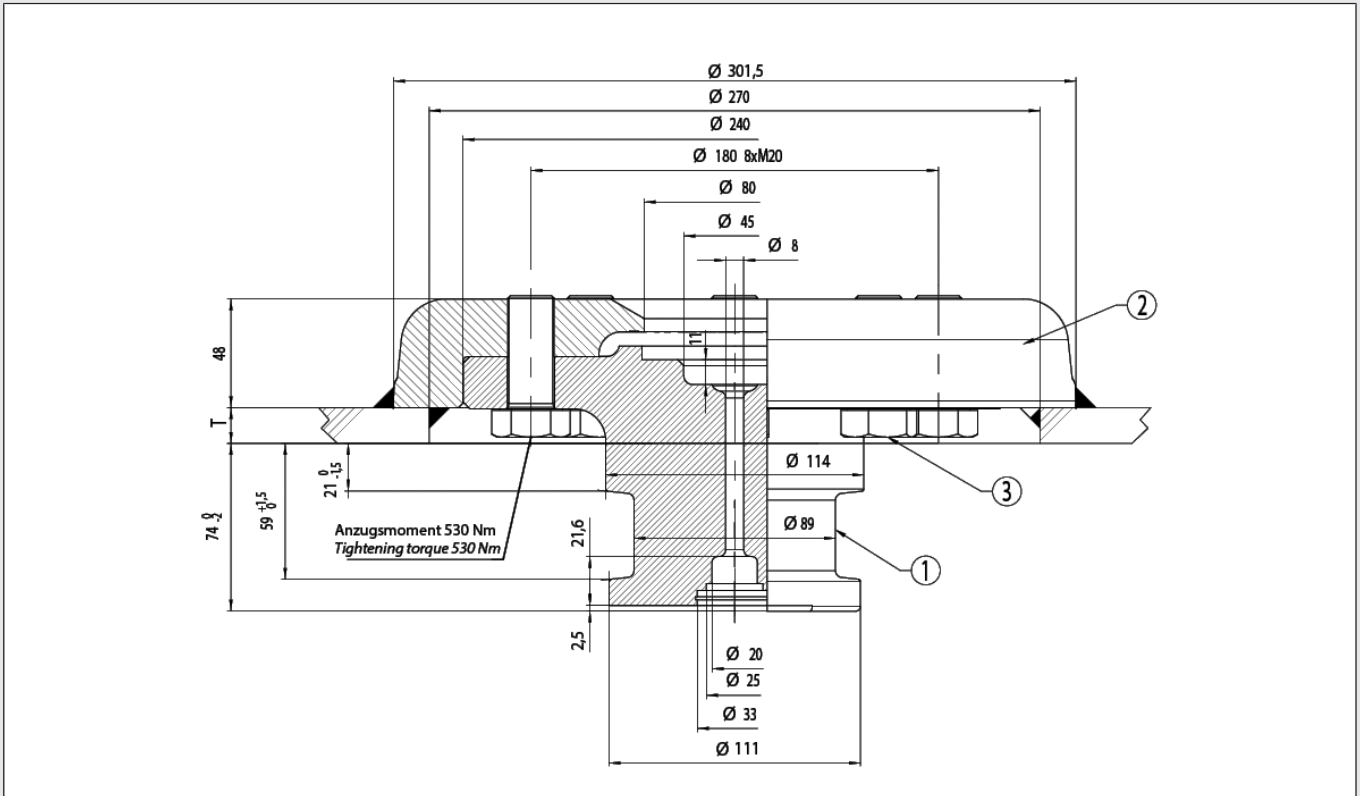


- Diameter (Inch): 3½
- Pitch circle diameter (mm): 180
- D-value (kN): 320
- Weight (kg): 30.3

TYPE APPROVAL:

- ECE type approval no.: E1*55R01/09*2425*01

Dimensions



Technical Data

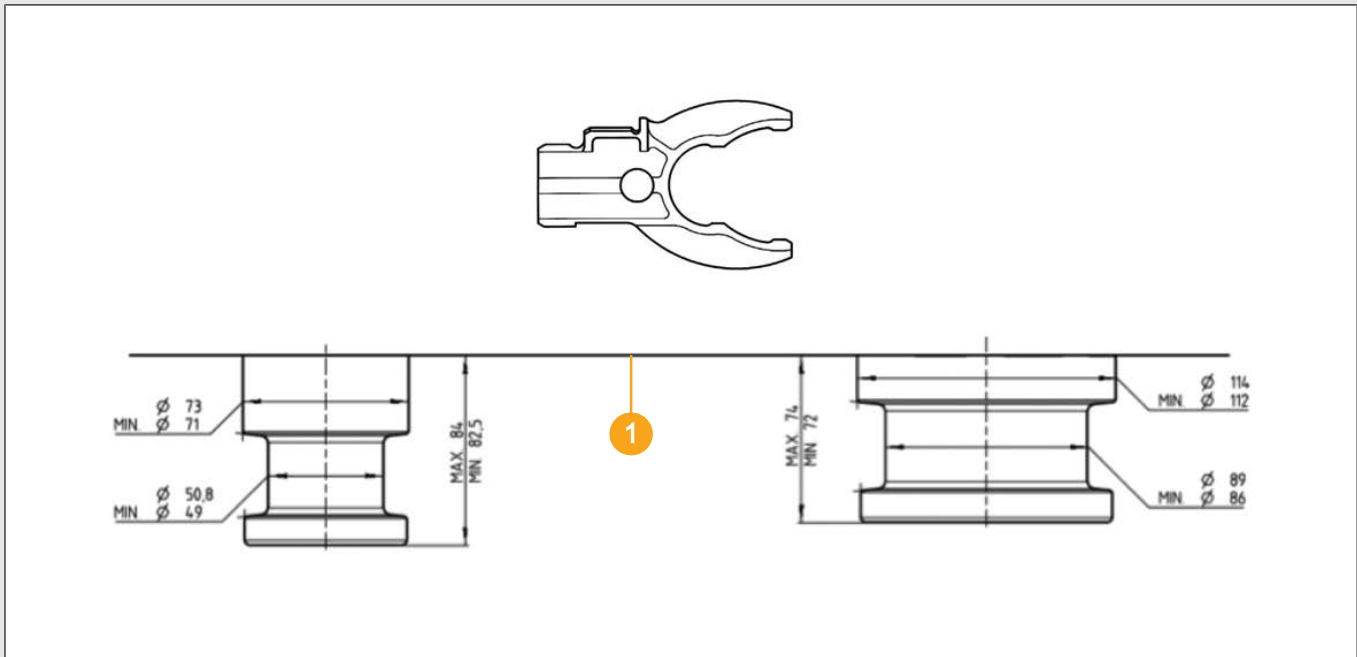
Item	Component	Nominal [Inch]	Plate thickness [mm]	Order no.
KZ	King pin cpl.	3.5	16	1030300000350
1	King pin - Kit	3.5		2108300000290
2	Mounting flange	3.5	16	2031100000080
3	Hex socket head screw M20x50 (8 pcs. per kingpin)			2088100000060

- Note: Self-locking bolts may only be used once

Reference Gauge

If the readings are lower than the limits shown here, the kingpins or wear rings must be replaced by original SAF-HOLLAND parts.

Dimensions

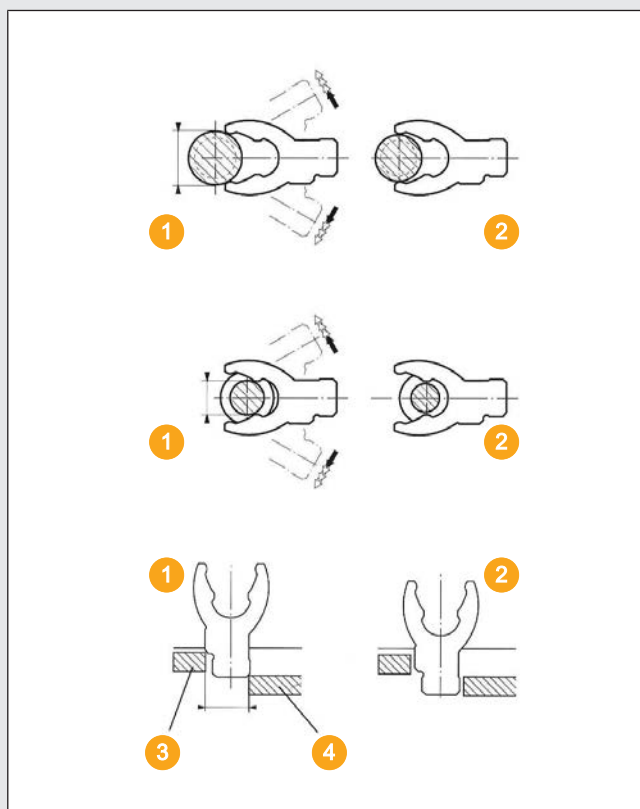


1 | Lower edge of semi-trailer plate

Technical Data

Type	Nominal [Inch]	Dimensions [mm]	Weight [kg]	Order no.
Reference gauge	2	166x108mm	0,155	659920032
Reference gauge	3.5	222x149mm	0,442	659920033

Operating Instructions



1	o.k.	3	Wear ring
2	Replace	4	Coupler jaw

The gauge surfaces may not slide over the SAF-HOLLAND kingpins. Measure lengthways and crossways, as well as at various heights.

After performing these checks, thoroughly coat the semi-trailer plate and the kingpin as well as the top of the fifth wheel plate, the locking mechanism and the wear ring, using a long life, high pressure grease with molybdenum or graphite additive. At short intervals, but at least at every lubrication servicing of the semi-trailer tractor, the fifth wheel, semi-trailer plate and the kingpin must be recoated with lubricant.

The reference gauge should not be able to slide into the closed fifth wheel locking mechanism from above. Measure lengthways and crossways.

Safety Instructions

Before hitching and especially before attaching the semi-trailer for the first time and after each lubrication, ensure that the locking mechanism of the fifth wheel is in the "hitching" position.

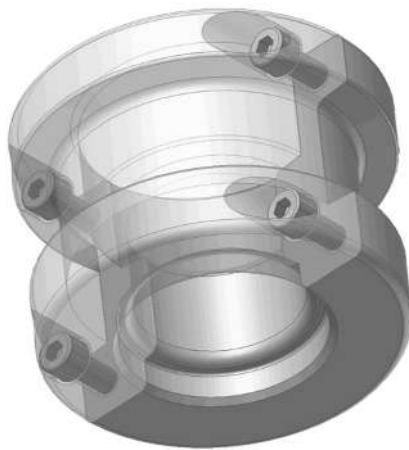
After hitching by attaching the carabiner hook or by setting the safety lever (with automatic locking), check whether the locking mechanism is completely closed.

After hitching the fifth wheel

- with carabiner hook: attach it
- with automatic latch: check whether it is engaged and the cam does not protrude next to the operating handle.

Important: Perform PULL TEST in a low gear.

Kingpin adaptor 2" to 3½"

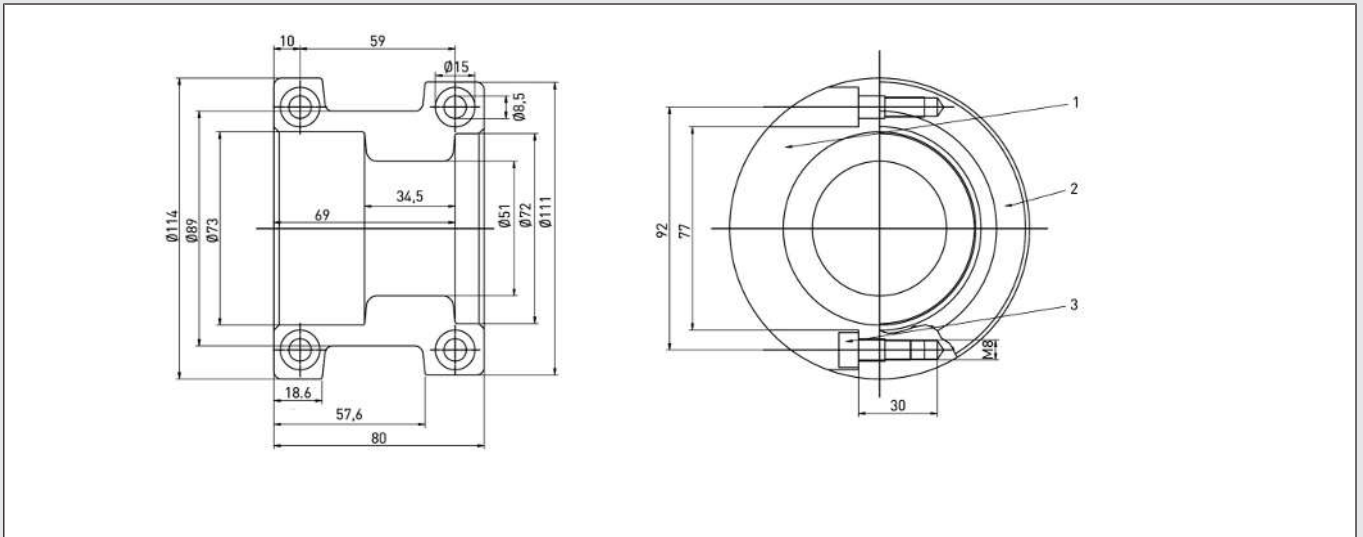


- Kingpin adaptor to couple a 2" kingpin on a 3½" fifth wheel
- The D-value of the 2" kingpin remains unchanged
- Kingpin is not included when ordering the adaptor
- **Important:**
The adaptor is suitable for temporary use on private sites only, e.g. on non public park grounds or for short tow runs.

Technical Data

Item	Type	Note	Pcs.	Order no.
1-3	King pin - adaptor 2"->3.5"	incl. Screws	1	662101100

Dimensions



Ball Races / Ball Bearings

Mounted Parts for Drawbar Trailers and Agricultural Vehicles



SAF Ball races for turntable drawbar trailers

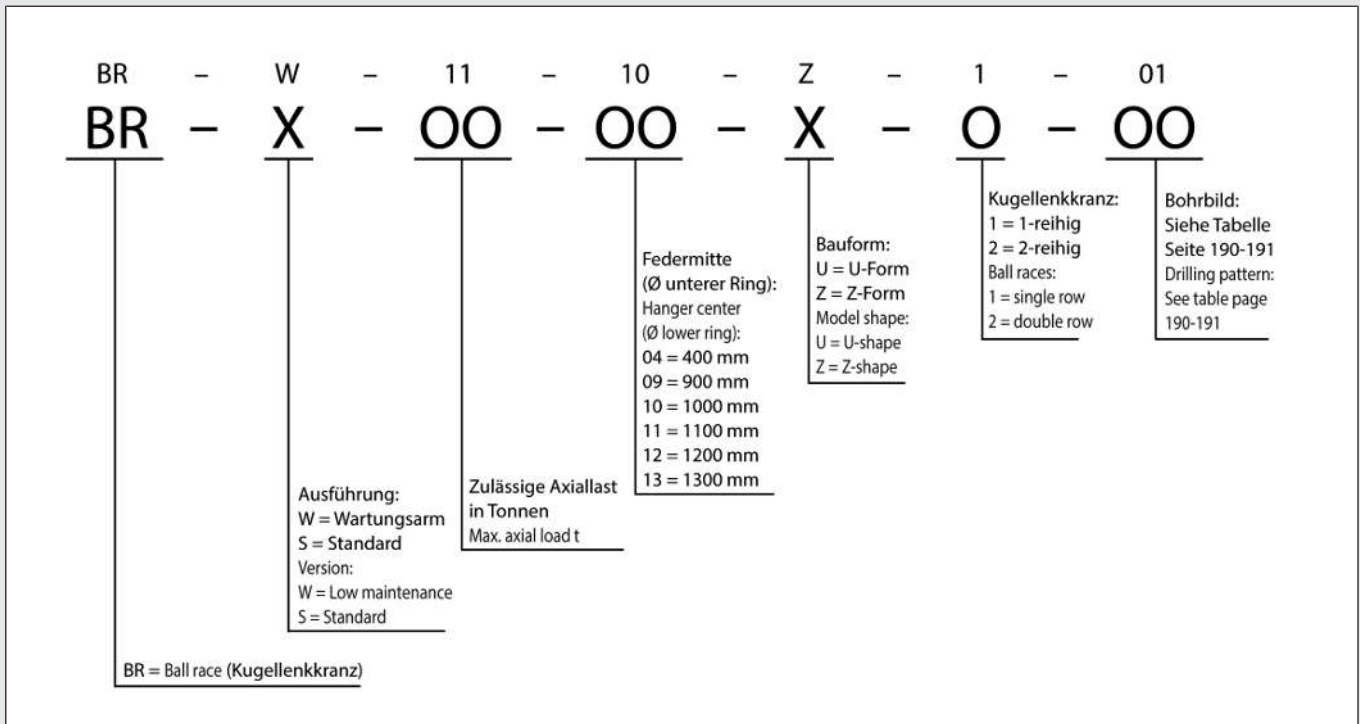


Single Row Ball Races Low-Maintenance

The low-maintenance ball race series BR-W enjoy a low maintenance life cycle of up to 3 years or 300,000 km. After that period they are to be serviced in the same way as standard ball races.

Technical Data

- The specifications are nominal dimensions and are subject to the tolerances at our works.
- Ball races from SAF-HOLLAND are suitable for the installation on the front axle of 2- and 3-axle drawbar trailers with a max. permissible speed of 105 km/h (65 mph).
- On 2-axle-trailers the specified axle loads can be exceeded by 10 %, at speeds below 30 km/h (18 mph) by 20 %.
- When using ball races with forced steering systems, please find out the maximum permissible load data.
- All data applies for operation on paved roads as typical in Western Europe.
- 4 or 2 lubrication points supplied via grease nipple



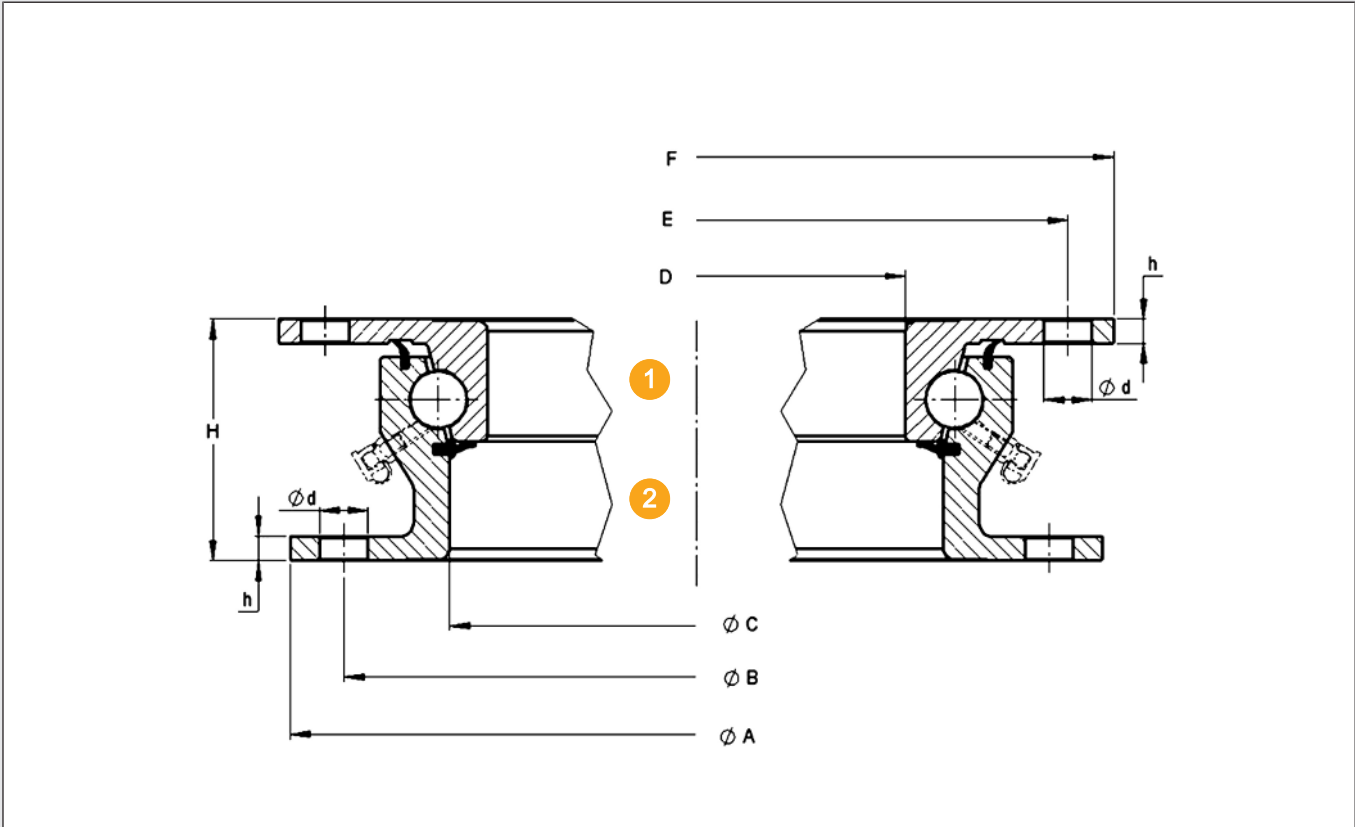
Surface Coating

- Surface: static liquid coating, colour RAL 9005, with good corrosion protection
- No need for the vehicle manufacturer to provide additional coating

NOTE:

It the turntable is re-coated, the sealing lip may stick to the ring or partially separate from its groove.

Corrective action: e.g. mask the sealing lips before re-coating.



1	Upper Ring
2	Lower Ring

A	Outer diameter	D	Inner diameter
B	Drilling pattern diameter	E	Drilling pattern diameter
C	Inner diameter	F	Outer diameter

Screw Assemblies

Type	Dimensions	Pcs.	Order no.
Screw assembly		1	03434432000
	M16x1,5x45 - DIN 960	16	662101545
	VM16x1,5 - DIN 980	16	662101361
Screw assembly		1	03434432100
	M16x1,5x45 - DIN 960	24	662101545
	VM16x1,5 - DIN 980	24	662101361

Technical Data – Single Row Ball Races

Type	Drilling pattern	axial load kN	A mm	B mm	C mm	D mm	E mm	F mm	d mm	h mm	H mm	Weight kg	Order no.	replaces
BR-W-8-10-U-1-00	-	80	1000	n.a.	881	853	n.a.	1008	n.a.	9	90	64	1038300000010	662106100 / 662106110
BR-W-10-10-U-1-00	-	100	1000	n.a.	881	853	n.a.	1008	n.a.	9	90	64	1038300000020	662106120 / 662106130
BR-W-10-11-U-1-01	1	100	1100	1060	981	953	1074	1108	18	9	90	71	1038300000030	662106140 / 662106150
BR-W-12-11-U-1-01	1	120	1100	1060	981	953	1074	1108	18	9	90	71	1038300000040	662106160 / 662106170
BR-W-12-11-U-1-S	S(*)	120	1100	1060	981	953	1074	1108	18	-	90	72	1038300000090	
BR-W-13-12-U-1-01	1	130	1200	1160	1081	1053	1174	1208	18	9	90	78	1038300000050	662106180 / 662106190
BR-W-14-13-U-1-01	1	140	1300	1260	1181	1153	1274	1308	18	9	90	84	1038300000060	
BR-W-14-13-U-1-00	-	140	1300	n.a.	1181	1153	n.a.	1308	n.a.	9	90	84	1038300000120	
BR-W-14-13-U-1-02	2	140	1300	1260	1181	1153	1274	1308	18	9	90	84	1038300000130	
BR-W-14-13-U-1-07	7	140	1300	1260	1181	1153	1274	1308	18	9	90	84	1038300000140	
BR-S-06-10-Z-1-00	-	60	955	n.a.	813	750	n.a.	885	n.a.	9	60	53	1038300000180	662106200
BR-S-06-10-Z-1-03	3	60	955	920	813	750	780	885	15	9	60	52	1038300000190	662106220
BR-S-07-11-Z-1-00	-	70	1100	n.a.	953	890	n.a.	1026	n.a.	9	60	65	1038300000200	662106240
BR-S-07-11-Z-1-03	3	70	1100	1070	953	890	920	1026	15	9	60	64	1038300000210	662106260
BR-S-01-04-Z-1-00	-	14	400	n.a.	283	216	n.a.	339	n.a.	7	52	11	1038300000220	662106280
BR-W-16-11-U-1-01	1	981	1100	1060	981	953	1074	1108	18	9	90	70	1038300000230	662106300
BR-W-14-13-U-1-03	3	140	1300	1260	1181	1153	1274	1308	18	9	90	84	1038300000370	
BR-W-13-12-U-1-09	S(*)	130	1200	1170	1081	1053	1180	1208	17	9	90	82	1038300000850	

All dimensions specifications are nominal dimensions

Further versions on request

(*) – special drilling pattern

contact Application Engineering for more information

Technical Data – Double Row Ball Races

Type	Drilling pattern	axial load kN	A mm	B mm	C mm	D mm	E mm	F mm	d mm	h mm	H mm	Weight kg	Order no.	replaces
BR-S-16-10-U-2-S(*)	S(*)	160	987	952,5	872	832	965,2	1000	17	11	90	83	1038300000240	
BR-S-20-11-U-2-S(*)	S(*)	200	1095	1060	972	932	1074	1102	17	11	90	95	1038300000250	
BR-S-16-10-U-2-01	1	160	994	960	872	832	974	1000	18	11	90	84	1038300000400	
BR-S-16-10-U-2-00	-	160	994	-	872	832	-	1000	-	11	90	85	1038300000420	
BR-S-18-11-U-2-00	-	180	1094	-	972	932	-	1100	-	11	90	95	1038300000440	
BR-S-20-12-U-2-00	-	200	1194	-	1072	1032	-	1200	-	11	90	105	1038300000500	
BR-S-20-12-U-2-01	1	200	1194	1160	1072	1032	1174	1200	18	11	90	104	1038300000520	
BR-S-20-12-U-2-08	8	200	1194	1160	1072	1032	1174	1200	18	11	90	104	1038300000560	
BR-S-20-11-U-2-01	1	200	1095	1060	972	932	1074	1102	18	11	90	94	1038300000770	
BR-S-20-11-U-2-09	S(*)	200	1095	1064	978	938	1076	1106	18	11	90	94	1038300000800	
BR-S-20-12a-U-2-08	8	200	1195	1160	1080	1040	1174	1208	18	11	90	104	1038300000870	

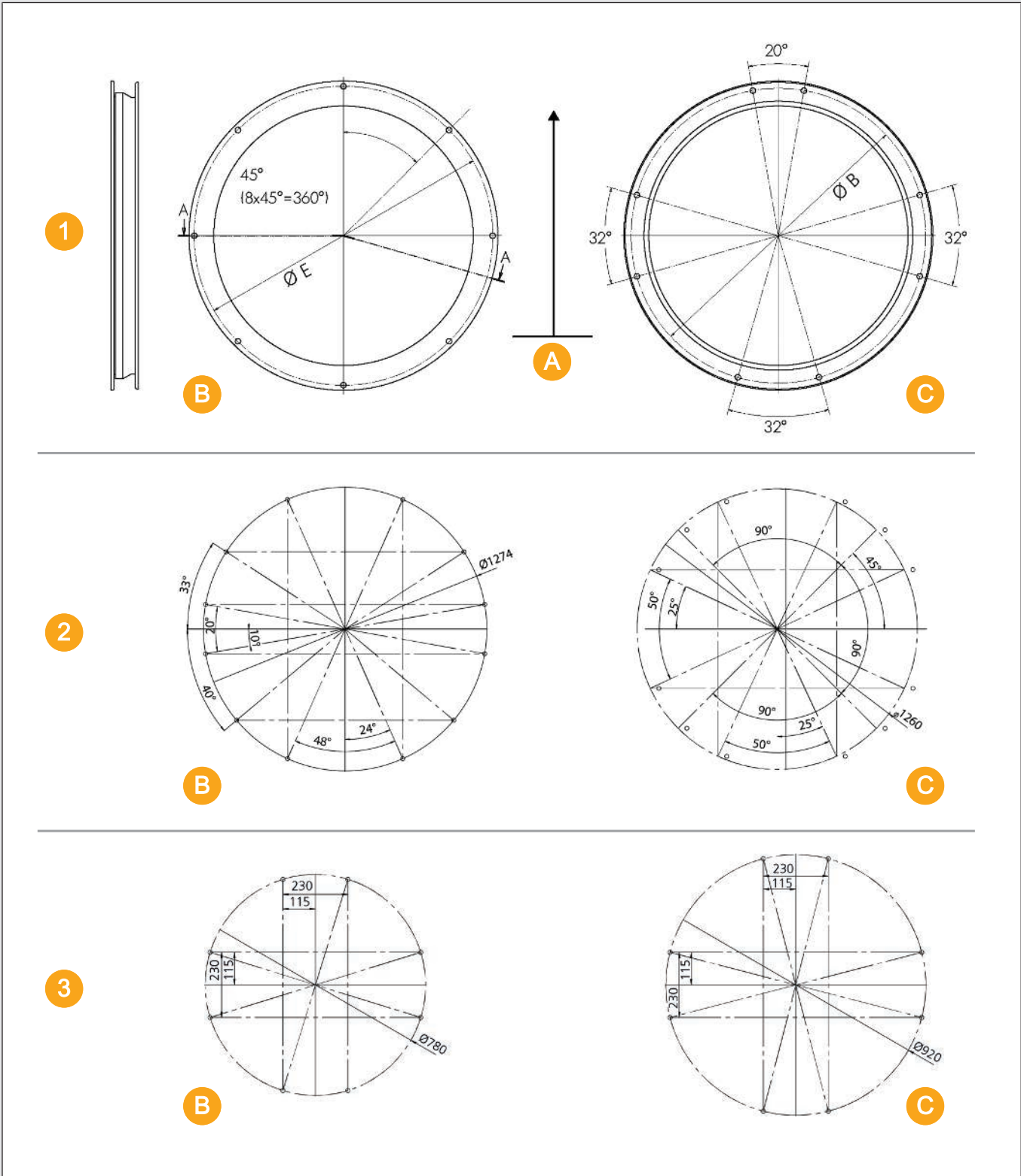
Further versions on request

All dimensions specifications are nominal dimensions

(*) – special drilling pattern

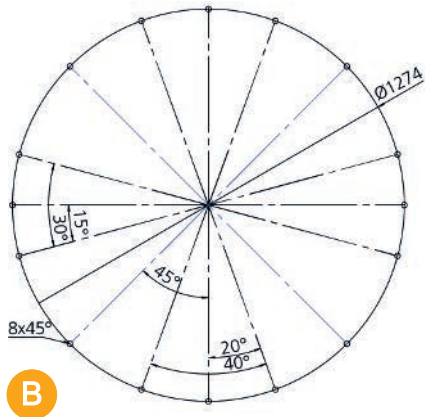
contact Application Engineering for more information

Drilling Patterns



1	Drilling Pattern 1	A	Driving direction
2	Drilling Pattern 2	B	Upper ring
3	Drilling Pattern 3	C	Lower ring

7

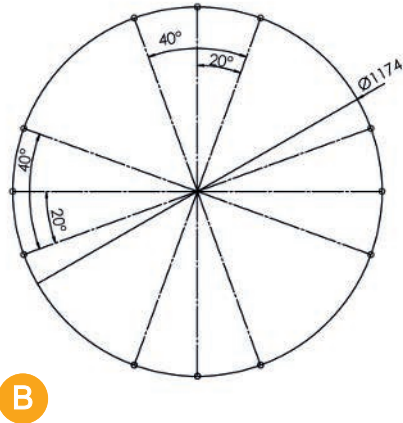


B

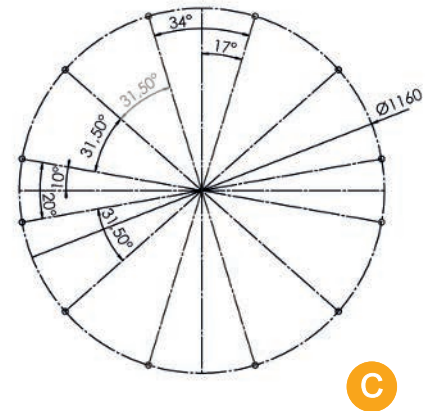


C

8



B



C

7	Drilling Pattern 7	B	Upper ring
8	Drilling Pattern 8	C	Lower ring

CentroLube

The CentroLube lubrication unit, when connected to the turntable, supplies lubricant to the entire ball race from a single lubrication point.

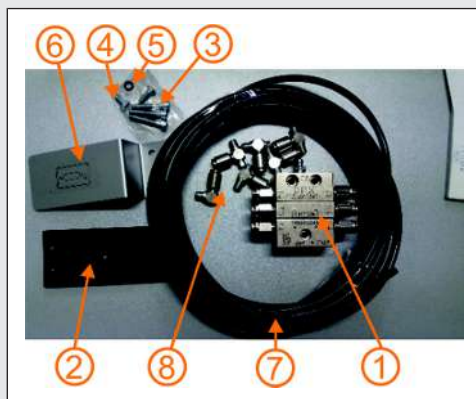
Further advantages:

- all lubrication points are supplied evenly throughout operation
- reducing the maintenance time and improving safety
- environmentally friendly due to optimized adjustment of lubrication requirements

Central Lube System

Central lube system for ball races

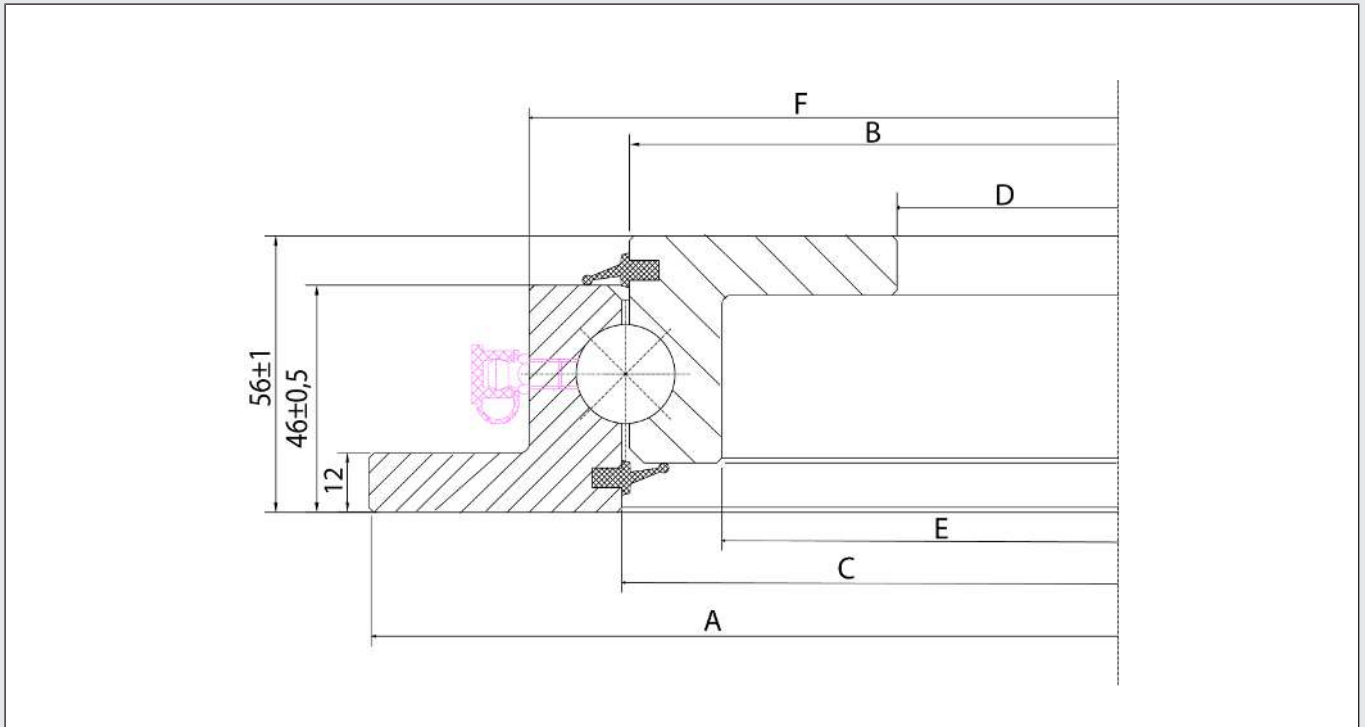
Type	Order no.
quadruple	2110300000400
sextuple	2110300000370
eightfold	2110300000390
2 sextuple	2110300000410



Item	Description	Qty.
1	Progressive dispenser with 4, 6 or 8 ports	1
2	Mounting plate 120 x 50 x 5 mm	1
3	Socketed head cap screw M5 x 30 mm	3
4	Hexagonal screw M5 x 12 mm	2
5	Securing washer M5	2
6	Protection cover	1
7	Grease hose	1
8	Compression fittings	4, 6, 8, 12



Ball bearings



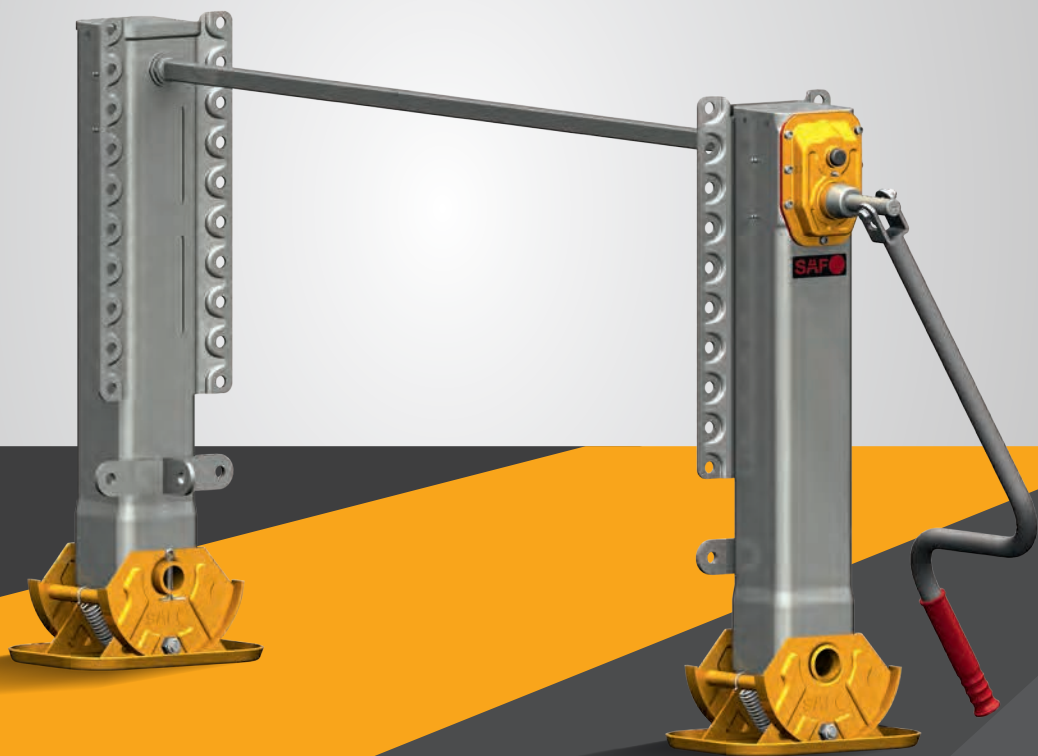
Technical data

Name	Type	axial load [kN]	A [mm]	B [mm]	C [mm]	D [mm]	E [mm]	F [mm]	Order no.
Ball pivot bearing	undrilled	256	418	309,5	312,5	204	275	353	1035300000090
Ball pivot bearing	undrilled	313	515	412,5	415,5	304	375	453	1035300000100
Ball pivot bearing	undrilled	414	648	542,5	545,5	434	505	583	1035300000110
Ball pivot bearing	undrilled	493	748	642,5	645,5	534	605	683	1035300000120
Ball pivot bearing	undrilled	572	848	742,5	745,5	634	705	783	1035300000130
Ball pivot bearing	undrilled	651	948	842,5	845,5	734	805	883	1035300000140
Ball pivot bearing	undrilled	733	1048	942,5	945,5	834	905	983	1035300000150
Ball pivot bearing	undrilled	849	1198	1092,5	1095,5	984	1055	1133	1035300000160

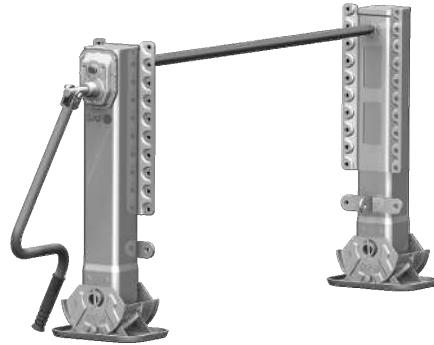
Notes

SAF Hercules and Drop Leg Landing Gear

For Curtainsiders, Refrigerated Vehicles, Tankers and Silo Trailers, Tippers and Walking Floor Trailers, Low-Loader and Heavy Duty Transporter



SAF Hercules



3 YEARS WARRANTY

TRIED, TESTED AND APPRECIATED WORLDWIDE

High quality, cost-effectiveness and reliability combined with a very long service life – the reasons why landing gear from SAF-HOLLAND has an excellent international reputation.

Our landing gear is ideal for very different scenarios, from the icy cold of Scandinavia to the shimmering desert heat of the Middle East. Ease of use and fantastic functional reliability mean that little force is required, taking some of the strain of daily coupling and uncoupling.

SAF 3D BACKPLATE

- Continuous 10-hole 3D backplate guarantees a variety of mounting options and facilitates the replacement of landing gear on the market

SAF GEARBOX

- External, compact gearbox with low installation depth enables easy inspection when needed
- The impact-resistant gearbox with a special seal is suitable for use in harsh operating conditions
- Switch easily between high and low gear

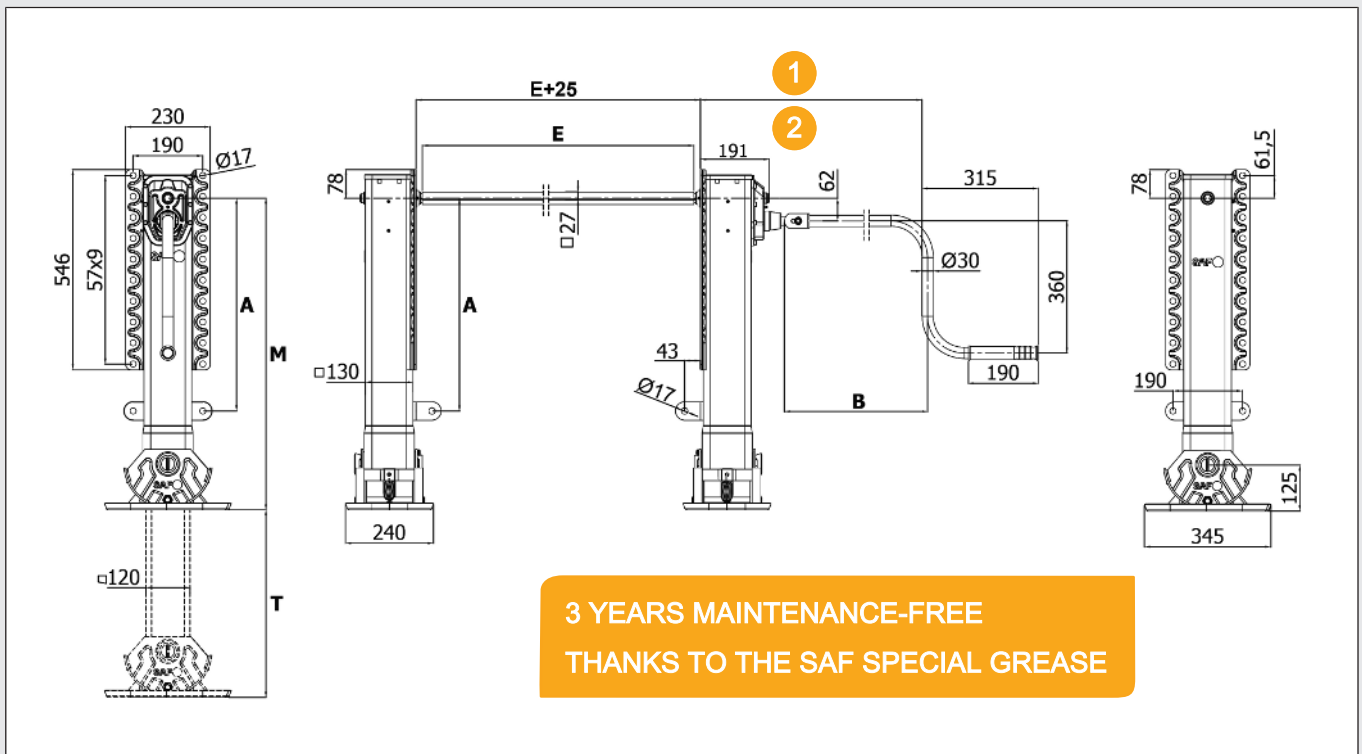
ADDITIONAL ADVANTAGES

- Weight-optimised: Weight reduction per set 8 kg compared to the SAF TITAN Pro
- Special coating provides long-term protection against environmental factors and stone chipping
- Web-based spare part identification via QR code on the support legs

Technical Data

- Lift capacity: 24,000 kg
- Static load capacity: 50,000 kg
- Lift in low gear: 1 mm per turn
- Lift in high gear: 12 mm per turn

Dimensions



1	Low gear B+213
2	High gear B+229

Technical Data

Foot-Kits

Type	Order no.
Compensating foot	03370100000
Compensating foot 655 + 705	03370100600
Sand shoe high	03370100100
Sand shoe low	03370100400
Return spring	01447007500
Rocking foot	03370100200
Wheel	03370100300
round plate	03370100500

Further versions on request

Hercules Landing Gear with Compensator

Name	Type	Height M [mm]	Hub T [mm]	A [mm]	M+T [mm]	Weight [kg]	Order no.
Landing gear kit - Compensating foot	LGH S 85-51 F S	850	510	580	850-510		03389006100
Landing gear compensating foot (gear box)	LGH G 85-51 F S	850	510		850-510	48,5	03389000200
Landing gear compensating foot	LGH O 85-51 F S	850	510		850-510	45,0	03389000100
Landing gear kit - Compensating foot	LGH S 80-46 F S	800	460	530	800-460		03389006200
Landing gear compensating foot (gear box)	LGH G 80-46 F S	800	460		800-460	46,9	03389000400
Landing gear compensating foot	LGH O 80-46 F S	800	460		800-460	43,3	03389000300
Landing gear kit - Compensating foot	LGH S 75-41 F S	750	410		750-410		03389006300
Landing gear compensating foot (gear box)	LGH G 75-41 F S	750	410		750-410	45,3	03389000600
Landing gear compensating foot	LGH O 75-41 F S	750	410		750-410	41,7	03389000500
Landing gear kit - Compensating foot	LGH S 70-40 F S	705	400		705-400		03389006400
Landing gear compensating foot (gear box)	LGH G 70-40 F S	705	400		705-400	44,0	03389000800
Landing gear compensating foot	LGH O 70-40 F S	705	400		705-400	40,4	03389000700
Landing gear kit - Compensating foot	LGH S 65-35 F S	655	350		655-350		03389006500
Landing gear compensating foot (gear box)	LGH G 65-35 F S	655	350		655-350	42,3	03389001000
Landing gear compensating foot	LGH O 65-35 F S	655	350		655-350	38,7	03389000900

Hercules Landing Gear with Sandshoe high

Name	Type	Height M [mm]	Hub T [mm]	A [mm]	M+T [mm]	Weight [kg]	Order no.
Landing gear kit - Sand shoe high	LGH S 85-51 F T	850	510	580	850-510		03389006600
Landing gear Sand shoe high (gear box)	LGH G 85-51 F T	850	510		850-510	47,0	03389001200
Landing gear Sand shoe high	LGH O 85-51 F T	850	510		850-510	43,5	03389001100
Landing gear kit - Sand shoe high	LGH S 80-46 F T	800	460	530	800-460		03389006700
Landing gear Sand shoe high (gear box)	LGH G 80-46 F T	800	460		800-460	45,3	03389001400
Landing gear Sand shoe high	LGH O 80-46 F T	800	460		800-460	41,8	03389001300
Landing gear kit - Sand shoe high	LGH S 75-41 F T	750	410		750-410		03389006800
Landing gear Sand shoe high (gear box)	LGH G 75-41 F T	750	410		750-410	43,7	03389001600
Landing gear Sand shoe high	LGH O 75-41 F T	750	410		750-410	40,2	03389001500
Landing gear kit - Sand shoe high	LGH S 70-36 F T	700	360		700-360		03389006900
Landing gear Sand shoe high (gear box)	LGH G 70-36 F T	700	360		700-360	42,0	03389001800
Landing gear Sand shoe high	LGH O 70-36 F T	700	360		700-360	38,5	03389001700
Landing gear kit - Sand shoe high	LGH S 65-31 F T	650	310		650-310		03389007000
Landing gear Sand shoe high (gear box)	LGH G 65-31 F T	650	310		650-310	40,3	03389002000
Landing gear Sand shoe high	LGH O 65-31 F T	650	310		650-310	36,8	03389001900

Hercules Landing Gear with Sandshoe low

Name	Type	Height M [mm]	Hub T [mm]	A [mm]	M+T [mm]	Weight [kg]	Order no.
Landing gear kit - Sand shoe low	LGH S 85-51 F TC	850	510	580	850-510		03389007100
Landing gear Sand shoe foot (gear box)	LGH G 85-51 F TC	850	510		850-510	45,5	03389002200
Landing gear Sand shoe foot	LGH O 85-51 F TC	850	510		850-510	42,0	03389002100
Landing gear kit - Sand shoe low	LGH S 80-46 F TC	800	460	530	800-460		03389007200
Landing gear Sand shoe foot (gear box)	LGH G 80-46 F TC	800	460		800-460	43,8	03389002400
Landing gear Sand shoe foot	LGH O 80-46 F TC	800	460		800-460	340,3	03389002300
Landing gear kit - Sand shoe low	LGH S 75-41 F TC	750	410		750-410		03389007300
Landing gear Sand shoe foot (gear box)	LGH G 75-41 F TC	750	410		750-410	42,2	03389002600
Landing gear Sand shoe foot	LGH O 75-41 F TC	750	410		750-410	38,7	03389002500
Landing gear kit - Sand shoe low	LGH S 70-36 F TC	700	360		700-360		03389007400
Landing gear Sand shoe foot (gear box)	LGH G 70-36 F TC	700	360		700-360	40,5	03389002800
Landing gear Sand shoe foot	LGH O 70-36 F TC	700	360		700-360	37,0	03389002700
Landing gear kit - Sand shoe low	LGH S 65-31 F TC	650	310		650-310		03389007500
Landing gear Sand shoe foot (gear box)	LGH G 65-31 F TC	650	310		650-310	38,8	03389003000
Landing gear Sand shoe foot	LGH O 65-31 F TC	650	310		650-310	35,3	03389002900

Attachment

Connecting Shaft

Length E	Order no.
1164 mm	01435002200
1340 mm	01435002300
1425 mm	01435003700
1440 mm	01435002400
1450 mm	01435002500
1470 mm	01435002600
1500 mm	01435002700
1505 mm	01435002800
1575 mm	01435002900
1600 mm	01435003000
1605 mm	01435003100
1635 mm	01435003200
1700 mm	01435003300
1790 mm	01435003400
1800 mm**	01435003500
1950 mm	01435003600

Crank Handle

Length B	Order no.
285 mm	01209000100
350 mm	01209000200
450 mm	01209000300
535 mm**	01209000400
605 mm	01209000500

Crank Holder

Length	Order no.
260 mm**	01189013500

Bracing attachment loose for mounting height 650-700-750

Weight [kg]	Order no.
	02045005700

* Bracing attachment can be ordered loose

** Standard parts in every kit

SAF Hercules Compact



- Compact design
- Large lift with small overall height

SAF BACK PLATE

Continuous back plate guarantees various mounting options and facilitates the replacement of landing gear on the market

SAF GEAR

- External, compact gear box with low installation depth enables simple inspection if required
- The impact-resistant designed gearbox with special sealing is suitable for rough operating conditions
- Easy change between fast and load gear

ADDITIONAL ADVANTAGE

- Special coating provides long-term protection against environmental factors and stone chipping
- Web-based spare part identification via QR code on the support legs

Technical Data: Foot of the SAF Hercules Compact

- 3 years maintenance-free
- Lifting capacity: 24,000 kg
- Static load: 50,000 kg
- Lift in load gear: 1 mm per turn of handle
- Lift at high speed: 12 mm per turn of handle

Model	Type	Weight [kg]	Height M [mm]	T [mm]	No. of drillings on backplate	Order no.
Landing gear Sand shoe rigid	LGHC O 65-43 F D	45,0	650	430	10	03389017100
Landing gear Sand shoe rigid (gear box)	LGHC G 65-43 F D	48,5				03389017200
Landing gear kit - Sand shoe rigid	LGHC S 65-43 F D					03389026100
Landing gear Sand shoe rigid	LGHC O 60-38 F D	45,0	600	380	9	03389017300
Landing gear Sand shoe rigid (gear box)	LGHC G 60-38 F D	48,5				03389017400
Landing gear kit - Sand shoe rigid	LGHC S 60-38 F D					03389026200
Landing gear Sand shoe rigid	LGHC O 55-33 F D	45,0	550	330	9	03389017500
Landing gear Sand shoe rigid (gear box)	LGHC G 55-33 F D	48,5				03389017600
Landing gear kit - Sand shoe rigid	LGHC S 55-33 F D					03389026300
Landing gear Sand shoe rigid	LGHC O 50-28 F D	45,0	500	280	8	03389017700
Landing gear Sand shoe rigid (gear box)	LGHC G 50-28 F D	48,5				03389017800
Landing gear kit - Sand shoe rigid	LGHC S 50-28 F D					03389026400
Landing gear Sand shoe rigid	LGHC O 45-23 F D	45,0	450	230	8	03389017900
Landing gear Sand shoe rigid (gear box)	LGHC G 45-23 F D	48,5				03389018000
Landing gear kit - Sand shoe rigid	LGHC S 45-23 F D					03389026500

Attachment

Crank Handle

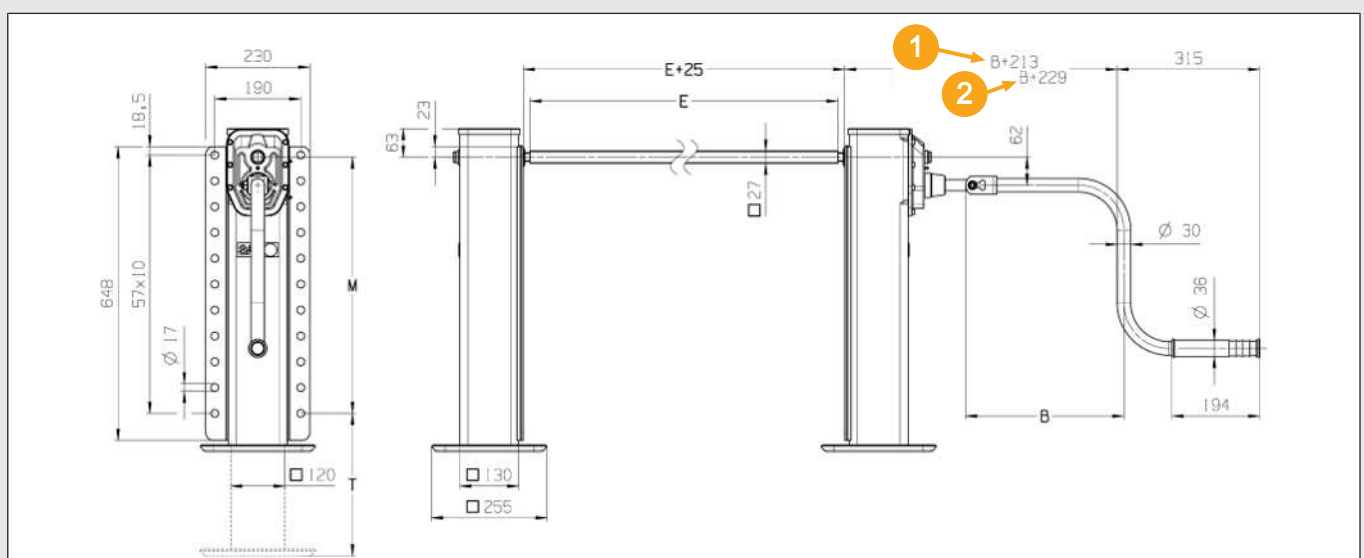
Length B	Order no.
250 mm	01209001000
300 mm	01209001100
250 mm*	01209001200*
300 mm*	01209001300*

* Fixed

Crank Holder

Length	Order no.
168 mm	01189013900

Dimensions



1	Load gear	2	High speed
---	-----------	---	------------

All dimensions in mm

SAF Swivel Landing Leg



ESPECIALLY FOR
CENTRE-AXLE TRAILERS

- Compact design and large lift with low overall height
- Swivelling of the landing gear provides a large ground clearance for centre-axle trailers

PROPERTIES AND ADVANTAGES

- Swivelling
- Back plate can be welded on or screwed on

ADDITIONAL ADVANTAGE

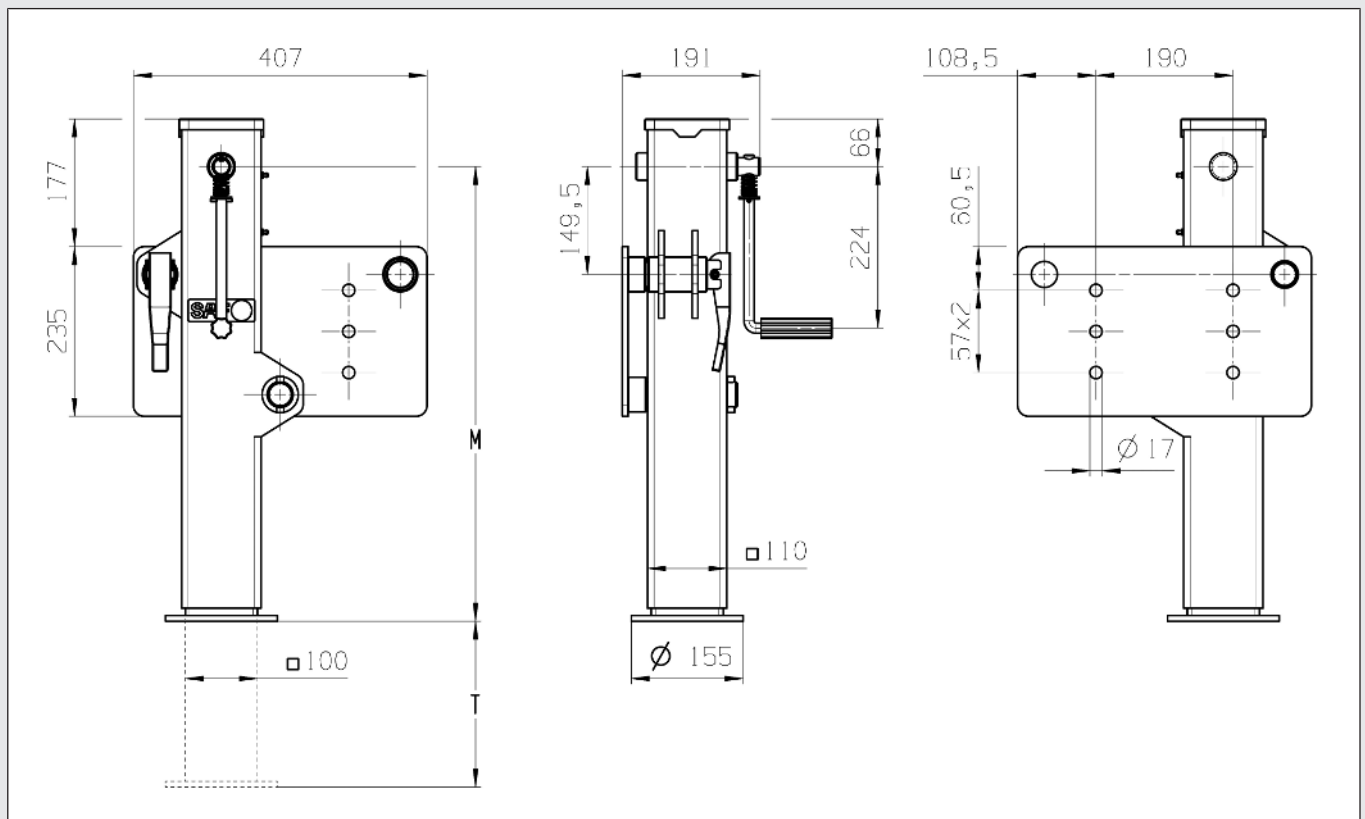
- Special coating provides long-term protection against environmental factors and stone chipping

Technical Data

- Lifting capacity: 4000 kg
- Static load: 8000 kg
- Lift: 7 mm per turn of handle

Model	Type	Weight [kg]	Height M [mm]	T [mm]	Order no.
Landing gear (gear box)	LGHD G 63-40 S D	48,5	630	400	03389018100
Landing gear (gear box)	LGHD G 58-35 S D	48,5	580	350	03389018200
Landing gear (gear box)	LGHD G 53-30 S D	48,5	530	300	03389018300
Landing gear (gear box)	LGHD G 48-25 S D	48,5	480	250	03389018400
Landing gear (gear box)	LGHD G 43-20 S D	48,5	430	200	03389018500

Dimensions



All dimensions in mm

SAF Drop Leg



ESPECIALLY FOR TIPPERS,
TANKERS AND SILO VEHICLES

PROPERTIES AND ADVANTAGES

- Good accessibility of the staking position
- Drop stroke can be variably adjusted in several steps and particularly finely graduated
- Easy height adjustment of the foot
- Suitable for all trailers
- 3-D mounting plate is lightweight and particularly rigid and is mounted as a single plate at the top
- Durable components such as high-strength steel and robust pull handles
- Large, durable steel foot, welded to the foot plate on four sides
- Upper sealing of the foot prevents penetration of dirt and water
- Fast and easy handling in all weather conditions

IMPORTANT INFORMATION

- Two drop legs must be installed per vehicle
- Not suitable for use on ferries

PAINTING

- Powder coating
- No subsurface corrosion
- Long-term and reliable preservation of value

NOTE

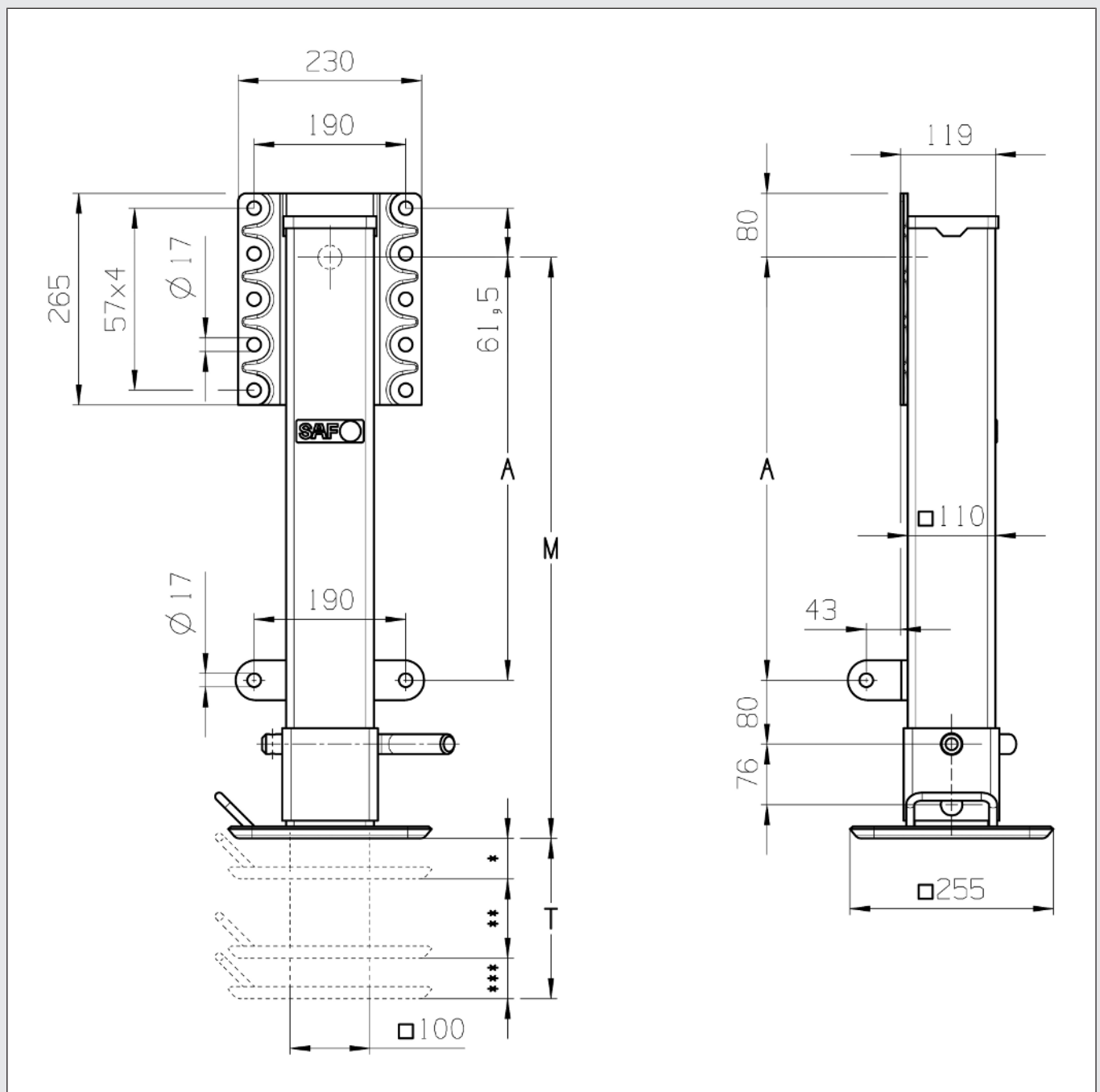
- This drop leg requires an air-suspended rear axle of the tractor.

Technical Data

Static load: 15,000 kg

Model	Type	Weight [kg]	Height M [mm]	T [mm]	Order no.
Drop leg	LGDL 75-63 T D	25,0	750	808mm + 25x25,4	03389016500

Dimensions



All dimensions in mm

Original TRILEX® Wheel Systems

Universal Wheel System

Wheelspiders – Rims – Accessories



TRILEX® – The Universal wheel system

The original TRILEX®-wheel system consists of a TRILEX®-wheel spider and a detachable TRILEX®-rim. The individual segments of the TRILEX®-rim can be aligned and centred easily and precisely around the wheel spider.

The great advantage of this construction is that the tire can be removed from the rim if necessary without the use of a machine. This means that both the individual wheel and the tire can thus be changed quickly and safely at practically any time anywhere.

The original TRILEX®-wheel system was developed specially for commercial vehicles in close collaboration with the vehicle manufacturers, and it has proven itself worldwide and time and time again in daily operation on trucks and trailers as well as tractor vehicles, semi-trailers and buses.

Having taken over the former company Georg Fischer Verkehrstechnik in Singen, SAF-HOLLAND now also delivers the original TRILEX®-wheel system as well as all original spare parts.

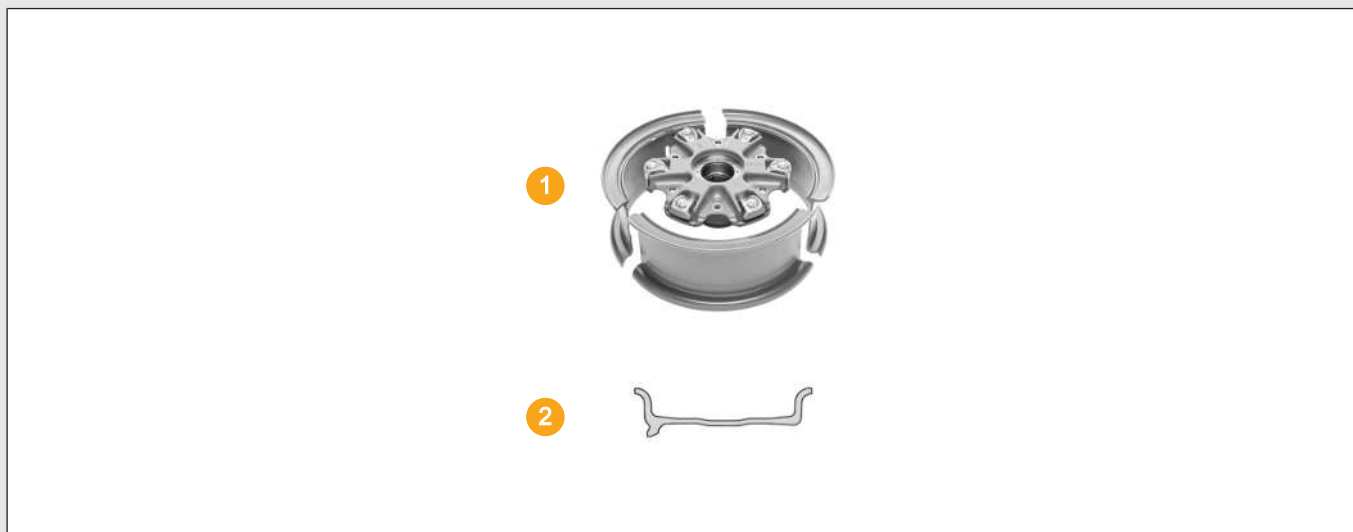
THE ADVANTAGES FOR YOU AT A GLANCE:

- Optimum design of wheelspider and rim saves weight and thus increases payload
- Better cooling prolongs the useful life of tyres and brakes
- Lower tightening torque of bolts eases wheel change
- Risk-free tyre change due to 3-piece TRILEX® rim
- Robust design ensures highest safety with additional loads
- Precision machining of wheelspider improves rolling characteristics

SAF-HOLLAND'S ORIGINAL TRILEX®-WHEEL SYSTEM IS AVAILABLE

- in size and 24"
- for tubed tyres
- for single tyres or twin tyres
- for vehicles of all well-known manufacturers

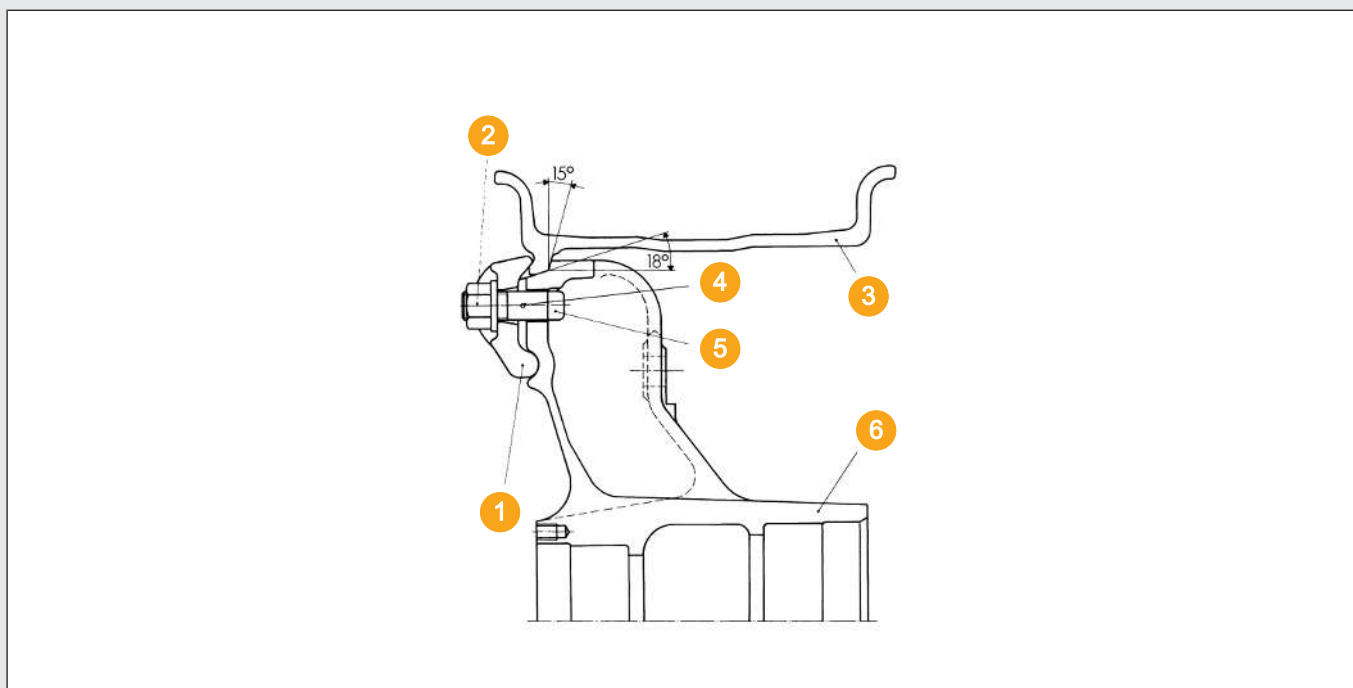
NOTE: Rims of 28° cone wheel systems are not interchangeable with the TRILEX® system



1	Wheelspider with TRILEX rim 24"	2	For tubed tyres
---	---------------------------------	---	-----------------

TRILEX® – DOUBLE CONE CENTRING

Ensures perfect alignment of rim on the TRILEX® wheelspider



1	TRILEX clamp	4	Splint
2	Collar nut	5	TRILEX bolt
3	TRILEX rim	6	TRILEX wheelspider

IMPORTANT ASSEMBLY INSTRUCTIONS

Before assembly, clean all parts such as spoke heads, rim mounting bevel, bolts and clamps.

To ensure perfect rim alignment and centring, contact surfaces between wheel centre and rim must be free of paint

Tighten nuts several times in turn, always round the wheel and not crosswise.

On all new vehicles, and following each changeover of wheels, tighten nuts to the specified torque after a brief trial run and then again after a further 50 - 100 km (30 - 60 miles). Check the torque from time to time.

Never repair or weld them.

Torques: See Operating Instructions

TRILEX® – Adaptors

Vehicles equipped with disc wheels can be changed over to the TRILEX® wheel by means of TRILEX® adaptors. Selection of the suitable adaptor depends on: type of vehicle and/or axle, track, tyres used, profile of brake drum and fixation (centring).

Our technical customer service representatives will be glad to assist you.

TRILEX® – WHEEL ADAPTOR FOR TWIN TYRES



Type	Size [Inch]	Weight [kg]	Order no.
Rear wheel adaptor	24"	44	604260232
Rear wheel adaptor	24"	43	604260240

TRILEX® – WHEEL ADAPTOR FOR SINGLE TYRES



Type	Size [Inch]	Weight [kg]	Order no.
Front wheelspider	24"	22	604260181
Front wheelspider	24"	23	604260335

Further versions on request

TRILEX® – Wheelspiders

TRILEX® wheels have stood up to the toughest possible operating conditions all over the world and are offered by all of the leading vehicle manufacturers. TRILEX® wheels are engineered to specific axle size in respect to bearings, seals, brakes, track, carrying capacity, etc.

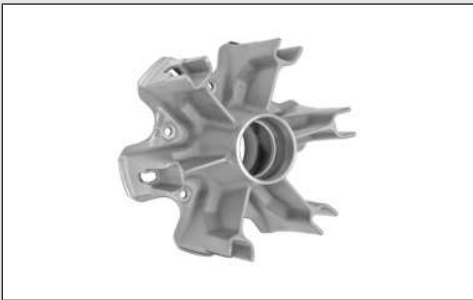
For safety reasons, use exclusively original TRILEX® parts.

Our product guarantee becomes invalid if non-original parts are used.

Original TRILEX® spare parts can be obtained throughout the world from our branch offices or sales representatives.

Please ask us for their addresses.

TRILEX® – WHEELSPIDERS FOR TWIN TYRES



Type	Size [Inch]	Weight [kg]	Order no.
Trailer wheelspider	24"	64,5	604110686
Trailer wheelspider	24"	61	604202224

Further versions on request

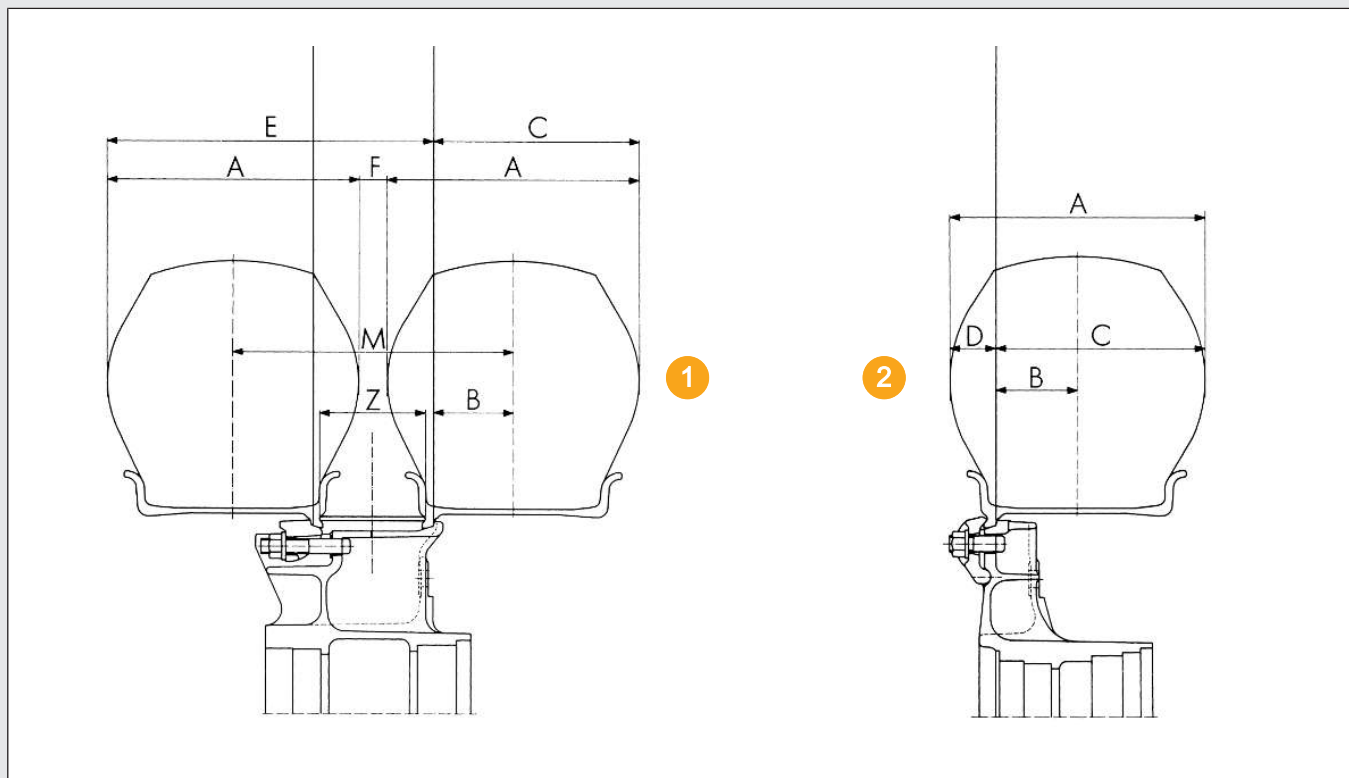
TRILEX® – WHEELSPIDERS FOR SINGLE TYRES



Versions on request

Tyre and rim combinations

TYRE AND RIM COMBINATIONS



1	TRILEX®-standard wheelspider for twin tyres: TRILEX rim	2	TRILEX® -standard wheelspider for single tyres: TRILEX rim
---	---	---	--

All rims of TRILEX ® wheel systems are designed for the carrying capacity of the corresponding respective tyre. For the tyre carrying capacity and the permissible speed, please refer to the manual of your tyre manufacturer.

TRILEX®-RIMS FOR TUBED TYRES

Diameter [Inch]	Tyre	Rim	A [mm]	B [mm]	C [mm]	D [mm]	E [mm]	F [mm]	Z [mm]	M [mm]
24"	12.00 R 2	8.5-24	313	98,5	255	58	414	43	139	356

Further versions on request

Rims and spacing rings

TRILEX® Wide base rims

Segmented rim for tyres with tubes for mounting on TRILEX® wheelspiders.



Diameter [Inch]	Type	Weight [kg]	Replacement for	Order no.
20"	TRILEX ® - rim	38,5	81T850	650410355
24"	TRILEX ® - rim	46,5	81T854	650410357

Further versions on request

Spacing rings for TRILEX®-Rims



Diameter [Inch]	Type	width [mm]	Weight [kg]	Replacement for	Order no.
24"	Baffle ring	139	11,2	656042449	656082449
24"	Baffle ring	147	11,7	656042451	656082451
24"	Baffle ring	156	11,9		656082454

Further versions on request

Clamps

FOR TRILEX® AND TUBLEX® RIMS



Type	Weight [kg]	Order no.
Lock plate	0,700	659002201
Lock plate	0,850	659002215

FOR 20" WHEELSPIDERS AND WHEEL ADAPTORS



Type	Weight [kg]	Order no.
Lock plate	0,650	659002171

FOR 24" WHEELSPIDERS AND WHEEL ADAPTORS



Type	Weight [kg]	Order no.
Lock plate	0,650	659002171
Lock plate	0,670	659002129

Bolts

TRILEX® CUP HEAD BOLT M18 X 2



Type	Shaft length [mm]	Weight [kg]	Replacement for	Order no.
Screw	80	0,192	59T54, 12490	659112453
Screw	125	0,274	59T60, 12493	659112456

TRILEX® BOLT M20 X 2



Type	Shaft length [mm]	Weight [kg]	Replacement for	Order no.
Hex socket head screw	57	0,200	12504, 112615	659112616
Hex socket head screw	100	0,293	12502	659112611
Screw	115	0,324	12501	659112612
Screw	130	0,358	12503	659112613
Hex socket head screw	145	0,394	12508	659112614

Nuts and sundries for TRILEX® wheels

FLANGE NUT (3 CAMS) FOR TRILEX® M20 BOLT



Type	Model	Order no.
Flange nut		659115304

FLANGE NUT (6 CAMS) FOR TRILEX® M18 BOLT



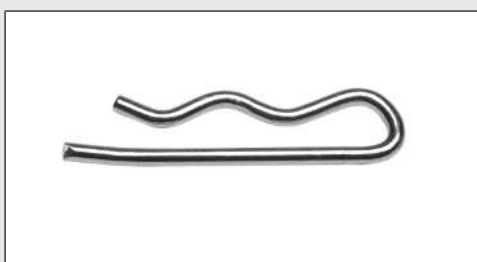
Type	Replacement for	Model	Order no.
Flange nut	78T08, 151-12	M18x2	659115300

WASHER



Type	Model	Order no.
Washer		659120228

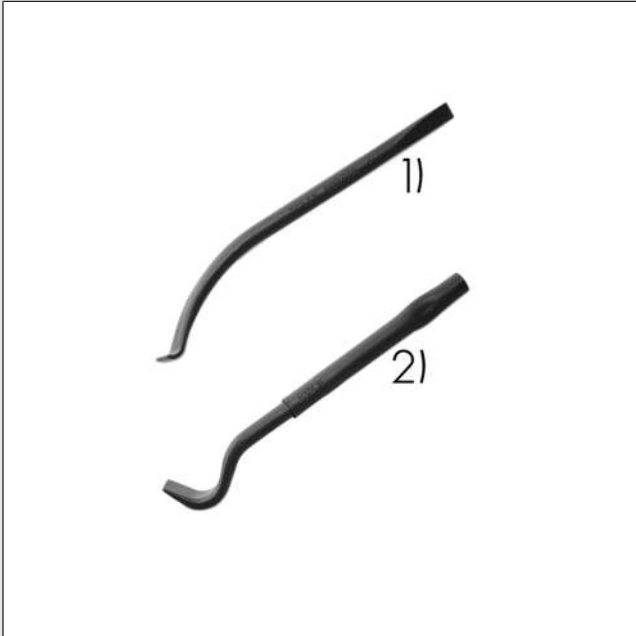
SPRING CLIP



Type	Order no.
Spring clip	659130017

Tools

FOR MOUNTING OF TRILEX® RIMS



Item	Type	Weight [kg]	Order no.
1	Rim assembling lever	0,8	659800006
2	Rim dismounting lever	1,0	659800007

FOR ASSEMBLY OF WHEELSPIDERS AND RIMS



Item	Type	Weight [kg]	Order no.
8	Box spanner	1,2	659800038
8a	Punch	1,2	659800039

Notes

Contents

FIFTH WHEELS	27	SAF LILUBE LUBRICANTS	159
GC 6.....	28	SAF LiLube Lubricants.....	160
FW3214-W	32	Grease Cartridge for SK-S 36.20 W + FW3214-W .	162
SK-S 36.20 (Standard)	36	KINGPINS	165
SK-S 36.20 W	42	Order Numbers.....	166
SK-S 36.20 NoLube	46	Type Marking.....	170
SK-S 36.20 D NoLube.....	48	Overview of Product Range.....	173
SK-S 36.20 D	52	Type 50S15.....	174
SK-S 36.20 DW	56	Type 50S15L.....	176
SK-S 36.20 V	60	Type 90S15.....	178
SK-S 36.20 VW.....	64	Type 50S18.....	180
FW3510.....	68	Type 90S18.....	182
FWAL-E	73	Type 90S18L.....	184
Recolube	76	Reference Gauge.....	186
SK-S 36.20	78	Kingpin adaptor 2" to 3½"	188
SK-S 36.20 H.....	79	BALL RACES / BALL BEARINGS	191
SK-HD 38.36	80	SAF Ball races for turntable drawbar trailers	192
Spare Parts Recolube	81	CentroLube	198
SK-S 36.20 H.....	83	Ball bearings.....	199
SK-HD 38.36	90	SAF HERCULES AND DROP LEG LANDING GEAR	201
SK-HD 38.36 G.....	94	SAF Hercules.....	202
FW0100.....	98	SAF Hercules Compact	206
FW0165.....	102	SAF Swivel Landing Leg	208
FW3510-TR.....	106	SAF Drop Leg.....	210
FW0E70-T	110	ORIGINAL TRILEX® WHEEL SYSTEMS	213
SLIDERS	115	TRILEX® – The Universal wheel system.....	214
SK-V 20	116	TRILEX® – Adaptors	217
SK-V 20 (Pneumatic).....	120	TRILEX® – Wheel spiders	218
SK-V 22	124	Tyre and rim combinations	219
ILS Slider	136	Rims and spacing rings	220
MOUNTING PLATES	143	Clamps.....	221
Mounting plates without pre-drilled holes.....	144	Bolts	222
Mounting plates with pre-drilled holes	146	Nuts and sundries for TRILEX® wheels	223
ACCESSORIES	149	Tools	224
Anti-Theft Lock.....	150		
Steering Wedge	152		
Hubodometer	154		
SAF-O-Meter	156		
RECOSS®.....	158		



Emergency Hotline	+49 6095 301-247
Customer Service	+49 6095 301-602
Spare Parts	+49 6095 301-301
Fax	+49 9095 301-494

originalparts@safholland.de
www.safholland.com

