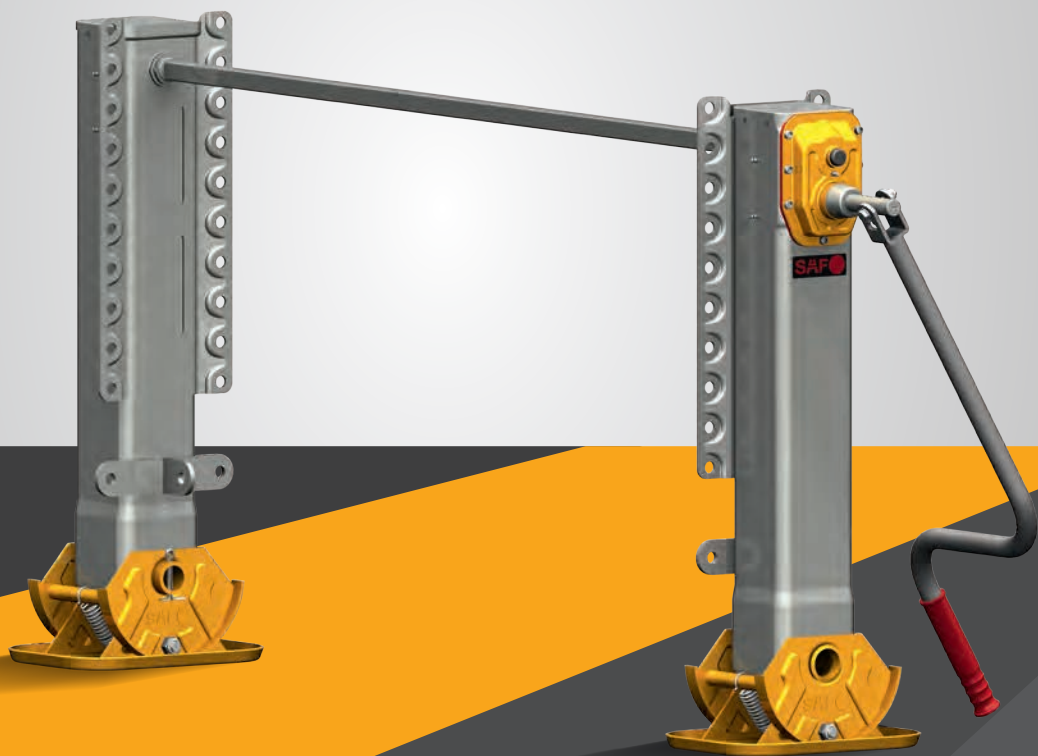
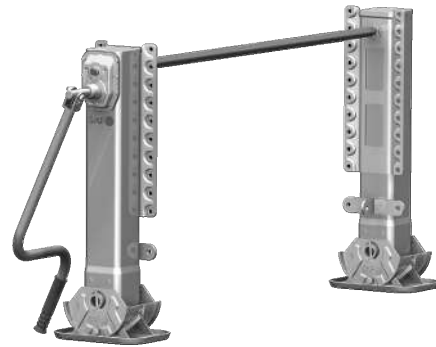


SAF Hercules and Drop Leg Landing Gear

For Curtainsiders, Refrigerated Vehicles, Tankers and Silo Trailers, Tippers and Walking Floor Trailers, Low-Loader and Heavy Duty Transporter



SAF Hercules



3 YEARS WARRANTY

TRIED, TESTED AND APPRECIATED WORLDWIDE

High quality, cost-effectiveness and reliability combined with a very long service life – the reasons why landing gear from SAF-HOLLAND has an excellent international reputation.

Our landing gear is ideal for very different scenarios, from the icy cold of Scandinavia to the shimmering desert heat of the Middle East. Ease of use and fantastic functional reliability mean that little force is required, taking some of the strain of daily coupling and uncoupling.

SAF 3D BACKPLATE

- Continuous 10-hole 3D backplate guarantees a variety of mounting options and facilitates the replacement of landing gear on the market

SAF GEARBOX

- External, compact gearbox with low installation depth enables easy inspection when needed
- The impact-resistant gearbox with a special seal is suitable for use in harsh operating conditions
- Switch easily between high and low gear

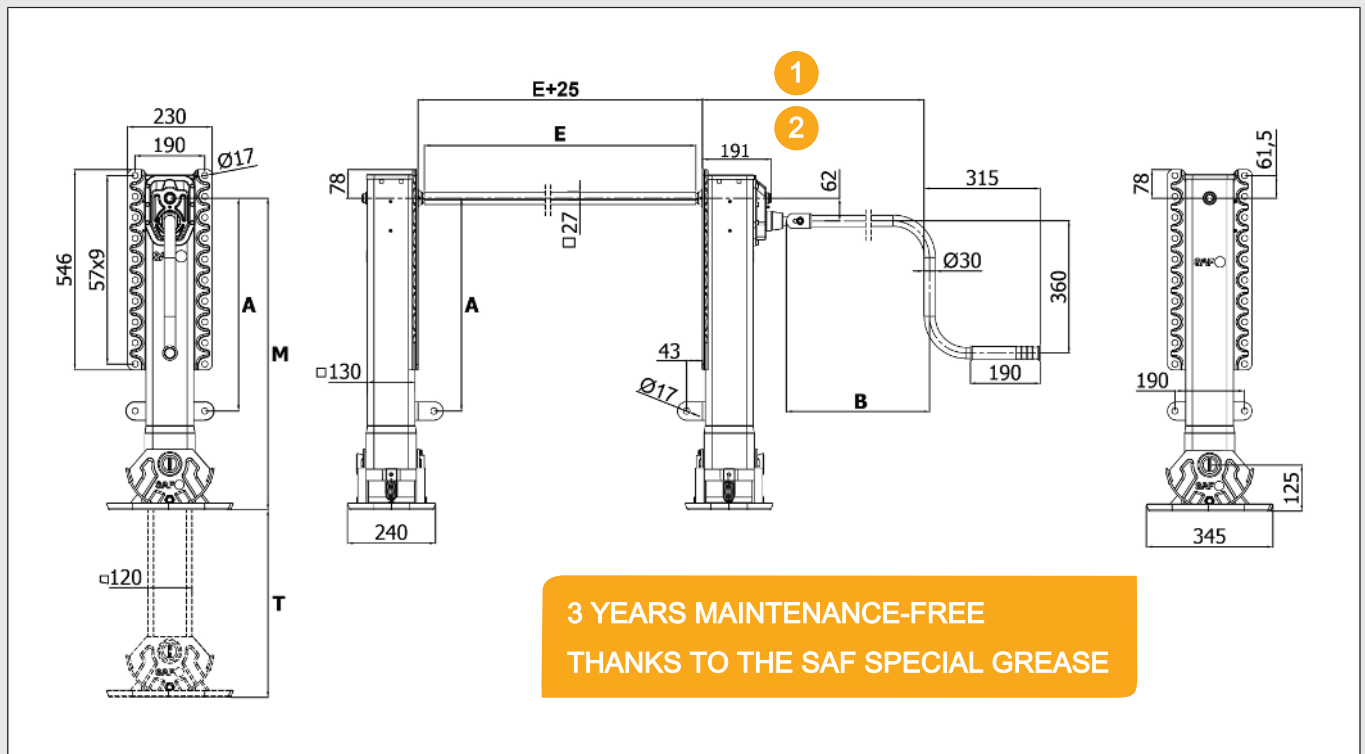
ADDITIONAL ADVANTAGES

- Weight-optimised: Weight reduction per set 8 kg compared to the SAF TITAN Pro
- Special coating provides long-term protection against environmental factors and stone chipping
- Web-based spare part identification via QR code on the support legs

Technical Data

- Lift capacity: 24,000 kg
- Static load capacity: 50,000 kg
- Lift in low gear: 1 mm per turn
- Lift in high gear: 12 mm per turn

Dimensions



1	Low gear B+213
2	High gear B+229

Technical Data

Foot-Kits

Type	Order no.
Compensating foot	03370100000
Compensating foot 655 + 705	03370100600
Sand shoe high	03370100100
Sand shoe low	03370100400
Return spring	01447007500
Rocking foot	03370100200
Wheel	03370100300
round plate	03370100500

Further versions on request

Hercules Landing Gear with Compensator

Name	Type	Height M [mm]	Hub T [mm]	A [mm]	M+T [mm]	Weight [kg]	Order no.
Landing gear kit - Compensating foot	LGH S 85-51 F S	850	510	580	850-510		03389006100
Landing gear compensating foot (gear box)	LGH G 85-51 F S	850	510		850-510	48,5	03389000200
Landing gear compensating foot	LGH O 85-51 F S	850	510		850-510	45,0	03389000100
Landing gear kit - Compensating foot	LGH S 80-46 F S	800	460	530	800-460		03389006200
Landing gear compensating foot (gear box)	LGH G 80-46 F S	800	460		800-460	46,9	03389000400
Landing gear compensating foot	LGH O 80-46 F S	800	460		800-460	43,3	03389000300
Landing gear kit - Compensating foot	LGH S 75-41 F S	750	410		750-410		03389006300
Landing gear compensating foot (gear box)	LGH G 75-41 F S	750	410		750-410	45,3	03389000600
Landing gear compensating foot	LGH O 75-41 F S	750	410		750-410	41,7	03389000500
Landing gear kit - Compensating foot	LGH S 70-40 F S	705	400		705-400		03389006400
Landing gear compensating foot (gear box)	LGH G 70-40 F S	705	400		705-400	44,0	03389000800
Landing gear compensating foot	LGH O 70-40 F S	705	400		705-400	40,4	03389000700
Landing gear kit - Compensating foot	LGH S 65-35 F S	655	350		655-350		03389006500
Landing gear compensating foot (gear box)	LGH G 65-35 F S	655	350		655-350	42,3	03389001000
Landing gear compensating foot	LGH O 65-35 F S	655	350		655-350	38,7	03389000900

Hercules Landing Gear with Sandshoe high

Name	Type	Height M [mm]	Hub T [mm]	A [mm]	M+T [mm]	Weight [kg]	Order no.
Landing gear kit - Sand shoe high	LGH S 85-51 F T	850	510	580	850-510		03389006600
Landing gear Sand shoe high (gear box)	LGH G 85-51 F T	850	510		850-510	47,0	03389001200
Landing gear Sand shoe high	LGH O 85-51 F T	850	510		850-510	43,5	03389001100
Landing gear kit - Sand shoe high	LGH S 80-46 F T	800	460	530	800-460		03389006700
Landing gear Sand shoe high (gear box)	LGH G 80-46 F T	800	460		800-460	45,3	03389001400
Landing gear Sand shoe high	LGH O 80-46 F T	800	460		800-460	41,8	03389001300
Landing gear kit - Sand shoe high	LGH S 75-41 F T	750	410		750-410		03389006800
Landing gear Sand shoe high (gear box)	LGH G 75-41 F T	750	410		750-410	43,7	03389001600
Landing gear Sand shoe high	LGH O 75-41 F T	750	410		750-410	40,2	03389001500
Landing gear kit - Sand shoe high	LGH S 70-36 F T	700	360		700-360		03389006900
Landing gear Sand shoe high (gear box)	LGH G 70-36 F T	700	360		700-360	42,0	03389001800
Landing gear Sand shoe high	LGH O 70-36 F T	700	360		700-360	38,5	03389001700
Landing gear kit - Sand shoe high	LGH S 65-31 F T	650	310		650-310		03389007000
Landing gear Sand shoe high (gear box)	LGH G 65-31 F T	650	310		650-310	40,3	03389002000
Landing gear Sand shoe high	LGH O 65-31 F T	650	310		650-310	36,8	03389001900

Hercules Landing Gear with Sandshoe low

Name	Type	Height M [mm]	Hub T [mm]	A [mm]	M+T [mm]	Weight [kg]	Order no.
Landing gear kit - Sand shoe low	LGH S 85-51 F TC	850	510	580	850-510		03389007100
Landing gear Sand shoe foot (gear box)	LGH G 85-51 F TC	850	510		850-510	45,5	03389002200
Landing gear Sand shoe foot	LGH O 85-51 F TC	850	510		850-510	42,0	03389002100
Landing gear kit - Sand shoe low	LGH S 80-46 F TC	800	460	530	800-460		03389007200
Landing gear Sand shoe foot (gear box)	LGH G 80-46 F TC	800	460		800-460	43,8	03389002400
Landing gear Sand shoe foot	LGH O 80-46 F TC	800	460		800-460	340,3	03389002300
Landing gear kit - Sand shoe low	LGH S 75-41 F TC	750	410		750-410		03389007300
Landing gear Sand shoe foot (gear box)	LGH G 75-41 F TC	750	410		750-410	42,2	03389002600
Landing gear Sand shoe foot	LGH O 75-41 F TC	750	410		750-410	38,7	03389002500
Landing gear kit - Sand shoe low	LGH S 70-36 F TC	700	360		700-360		03389007400
Landing gear Sand shoe foot (gear box)	LGH G 70-36 F TC	700	360		700-360	40,5	03389002800
Landing gear Sand shoe foot	LGH O 70-36 F TC	700	360		700-360	37,0	03389002700
Landing gear kit - Sand shoe low	LGH S 65-31 F TC	650	310		650-310		03389007500
Landing gear Sand shoe foot (gear box)	LGH G 65-31 F TC	650	310		650-310	38,8	03389003000
Landing gear Sand shoe foot	LGH O 65-31 F TC	650	310		650-310	35,3	03389002900

Attachment

Connecting Shaft

Length E	Order no.
1164 mm	01435002200
1340 mm	01435002300
1425 mm	01435003700
1440 mm	01435002400
1450 mm	01435002500
1470 mm	01435002600
1500 mm	01435002700
1505 mm	01435002800
1575 mm	01435002900
1600 mm	01435003000
1605 mm	01435003100
1635 mm	01435003200
1700 mm	01435003300
1790 mm	01435003400
1800 mm**	01435003500
1950 mm	01435003600

Crank Handle

Length B	Order no.
285 mm	01209000100
350 mm	01209000200
450 mm	01209000300
535 mm**	01209000400
605 mm	01209000500

Crank Holder

Length	Order no.
260 mm**	01189013500

Bracing attachment loose for mounting height 650-700-750

Weight [kg]	Order no.
	02045005700

* Bracing attachment can be ordered loose

** Standard parts in every kit

SAF Hercules Compact



- Compact design
- Large lift with small overall height

SAF BACK PLATE

Continuous back plate guarantees various mounting options and facilitates the replacement of landing gear on the market

SAF GEAR

- External, compact gear box with low installation depth enables simple inspection if required
- The impact-resistant designed gearbox with special sealing is suitable for rough operating conditions
- Easy change between fast and load gear

ADDITIONAL ADVANTAGE

- Special coating provides long-term protection against environmental factors and stone chipping
- Web-based spare part identification via QR code on the support legs

Technical Data: Foot of the SAF Hercules Compact

- 3 years maintenance-free
- Lifting capacity: 24,000 kg
- Static load: 50,000 kg
- Lift in load gear: 1 mm per turn of handle
- Lift at high speed: 12 mm per turn of handle

Model	Type	Weight [kg]	Height M [mm]	T [mm]	No. of drillings on backplate	Order no.
Landing gear Sand shoe rigid	LGHC O 65-43 F D	45,0	650	430	10	03389017100
Landing gear Sand shoe rigid (gear box)	LGHC G 65-43 F D	48,5				03389017200
Landing gear kit - Sand shoe rigid	LGHC S 65-43 F D					03389026100
Landing gear Sand shoe rigid	LGHC O 60-38 F D	45,0	600	380	9	03389017300
Landing gear Sand shoe rigid (gear box)	LGHC G 60-38 F D	48,5				03389017400
Landing gear kit - Sand shoe rigid	LGHC S 60-38 F D					03389026200
Landing gear Sand shoe rigid	LGHC O 55-33 F D	45,0	550	330	9	03389017500
Landing gear Sand shoe rigid (gear box)	LGHC G 55-33 F D	48,5				03389017600
Landing gear kit - Sand shoe rigid	LGHC S 55-33 F D					03389026300
Landing gear Sand shoe rigid	LGHC O 50-28 F D	45,0	500	280	8	03389017700
Landing gear Sand shoe rigid (gear box)	LGHC G 50-28 F D	48,5				03389017800
Landing gear kit - Sand shoe rigid	LGHC S 50-28 F D					03389026400
Landing gear Sand shoe rigid	LGHC O 45-23 F D	45,0	450	230	8	03389017900
Landing gear Sand shoe rigid (gear box)	LGHC G 45-23 F D	48,5				03389018000
Landing gear kit - Sand shoe rigid	LGHC S 45-23 F D					03389026500

Attachment

Crank Handle

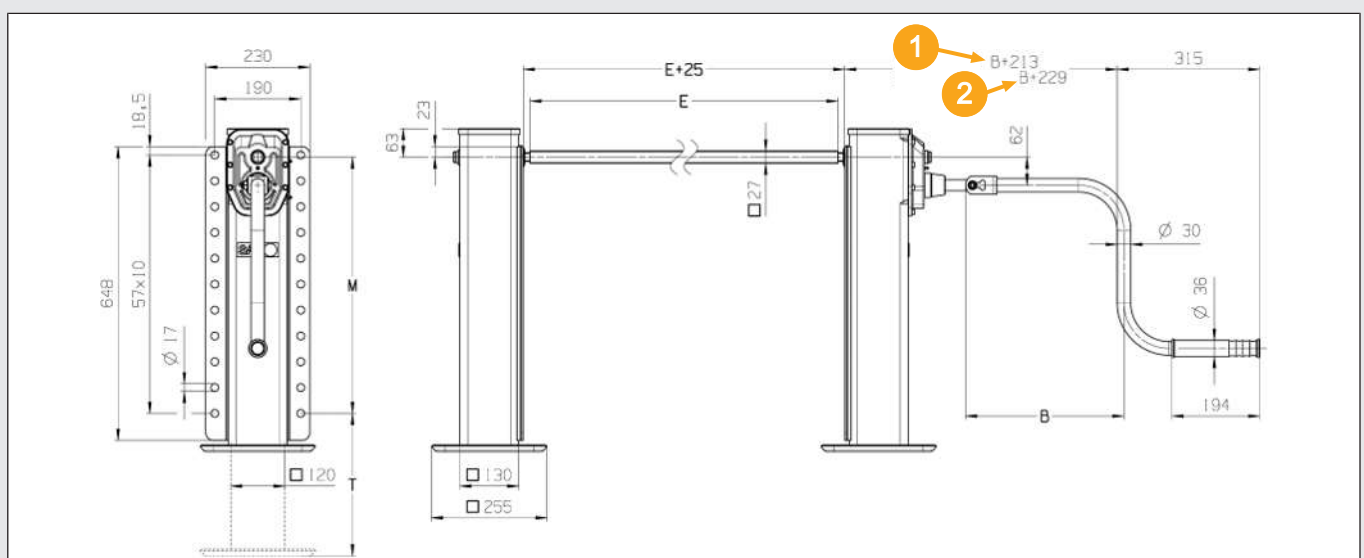
Length B	Order no.
250 mm	01209001000
300 mm	01209001100
250 mm*	01209001200*
300 mm*	01209001300*

* Fixed

Crank Holder

Length	Order no.
168 mm	01189013900

Dimensions



1	Load gear	2	High speed
---	-----------	---	------------

All dimensions in mm

SAF Swivel Landing Leg



ESPECIALLY FOR
CENTRE-AXLE TRAILERS

- Compact design and large lift with low overall height
- Swivelling of the landing gear provides a large ground clearance for centre-axle trailers

PROPERTIES AND ADVANTAGES

- Swivelling
- Back plate can be welded on or screwed on

ADDITIONAL ADVANTAGE

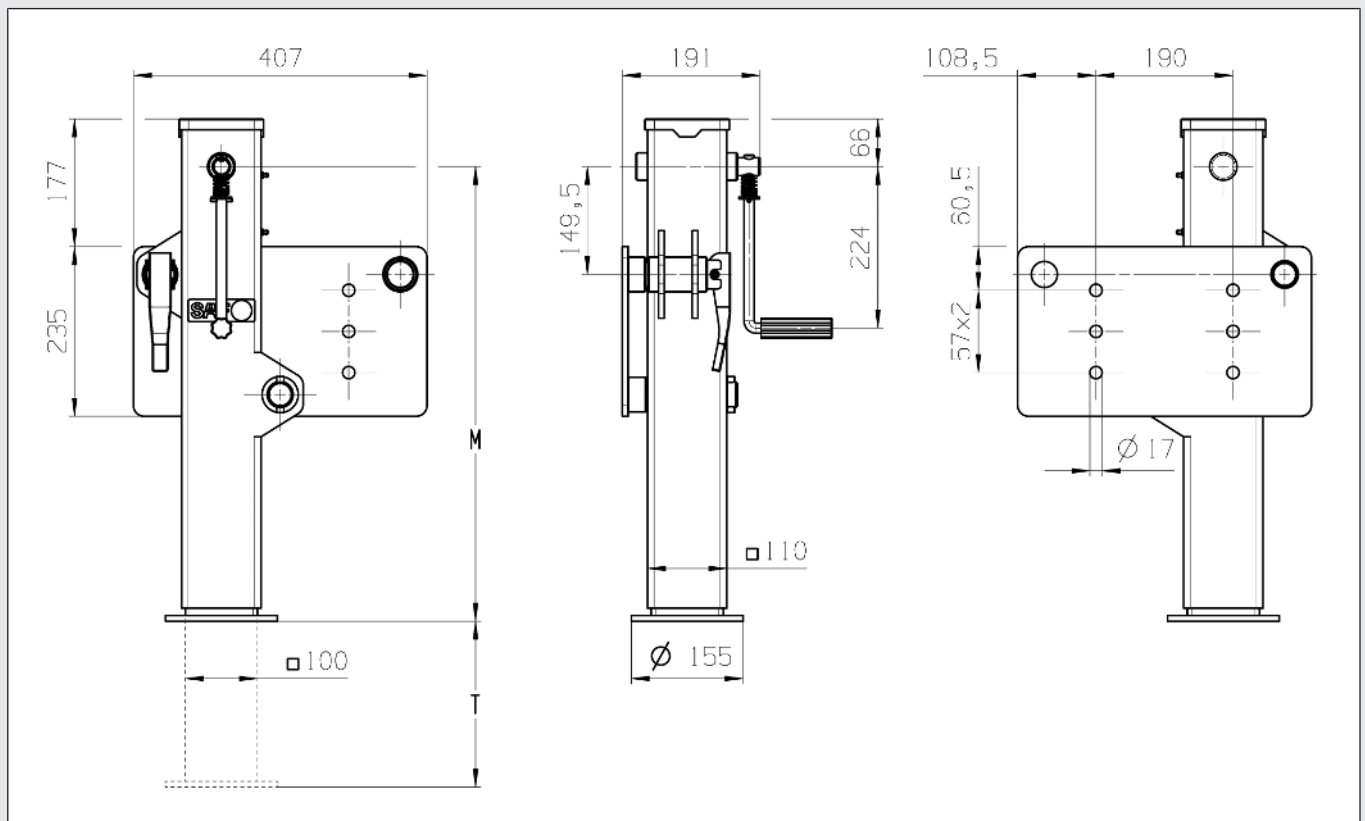
- Special coating provides long-term protection against environmental factors and stone chipping

Technical Data

- Lifting capacity: 4000 kg
- Static load: 8000 kg
- Lift: 7 mm per turn of handle

Model	Type	Weight [kg]	Height M [mm]	T [mm]	Order no.
Landing gear (gear box)	LGHD G 63-40 S D	48,5	630	400	03389018100
Landing gear (gear box)	LGHD G 58-35 S D	48,5	580	350	03389018200
Landing gear (gear box)	LGHD G 53-30 S D	48,5	530	300	03389018300
Landing gear (gear box)	LGHD G 48-25 S D	48,5	480	250	03389018400
Landing gear (gear box)	LGHD G 43-20 S D	48,5	430	200	03389018500

Dimensions



All dimensions in mm

SAF Drop Leg



ESPECIALLY FOR TIPPERS,
TANKERS AND SILO VEHICLES

PROPERTIES AND ADVANTAGES

- Good accessibility of the staking position
- Drop stroke can be variably adjusted in several steps and particularly finely graduated
- Easy height adjustment of the foot
- Suitable for all trailers
- 3-D mounting plate is lightweight and particularly rigid and is mounted as a single plate at the top
- Durable components such as high-strength steel and robust pull handles
- Large, durable steel foot, welded to the foot plate on four sides
- Upper sealing of the foot prevents penetration of dirt and water
- Fast and easy handling in all weather conditions

IMPORTANT INFORMATION

- Two drop legs must be installed per vehicle
- Not suitable for use on ferries

PAINTING

- Powder coating
- No subsurface corrosion
- Long-term and reliable preservation of value

NOTE

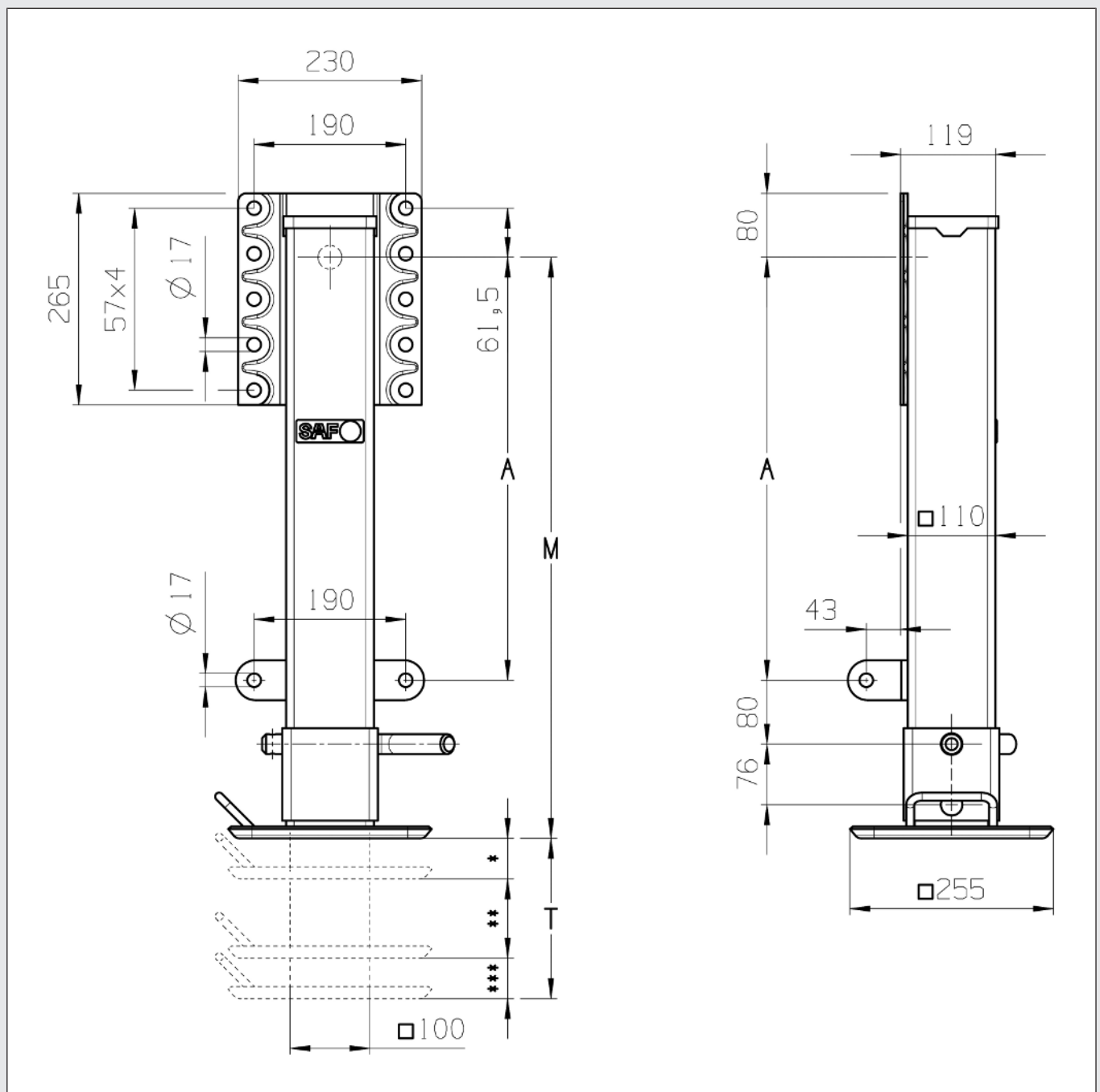
- This drop leg requires an air-suspended rear axle of the tractor.

Technical Data

Static load: 15,000 kg

Model	Type	Weight [kg]	Height M [mm]	T [mm]	Order no.
Drop leg	LGDL 75-63 T D	25,0	750	808mm + 25x25,4	03389016500

Dimensions



All dimensions in mm

