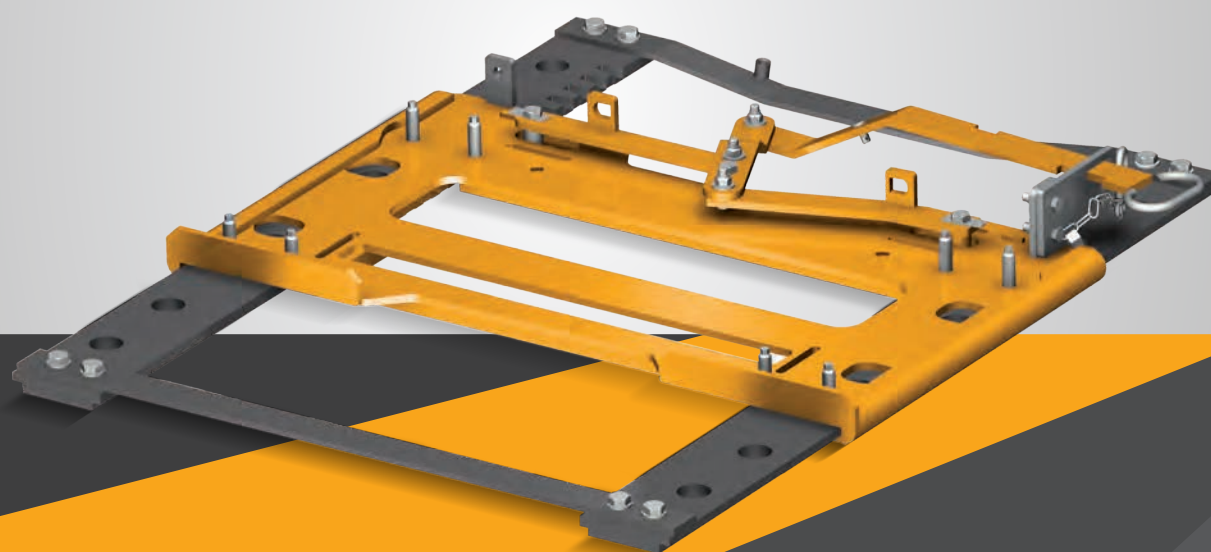




SAF-HOLLAND Group

Sliders

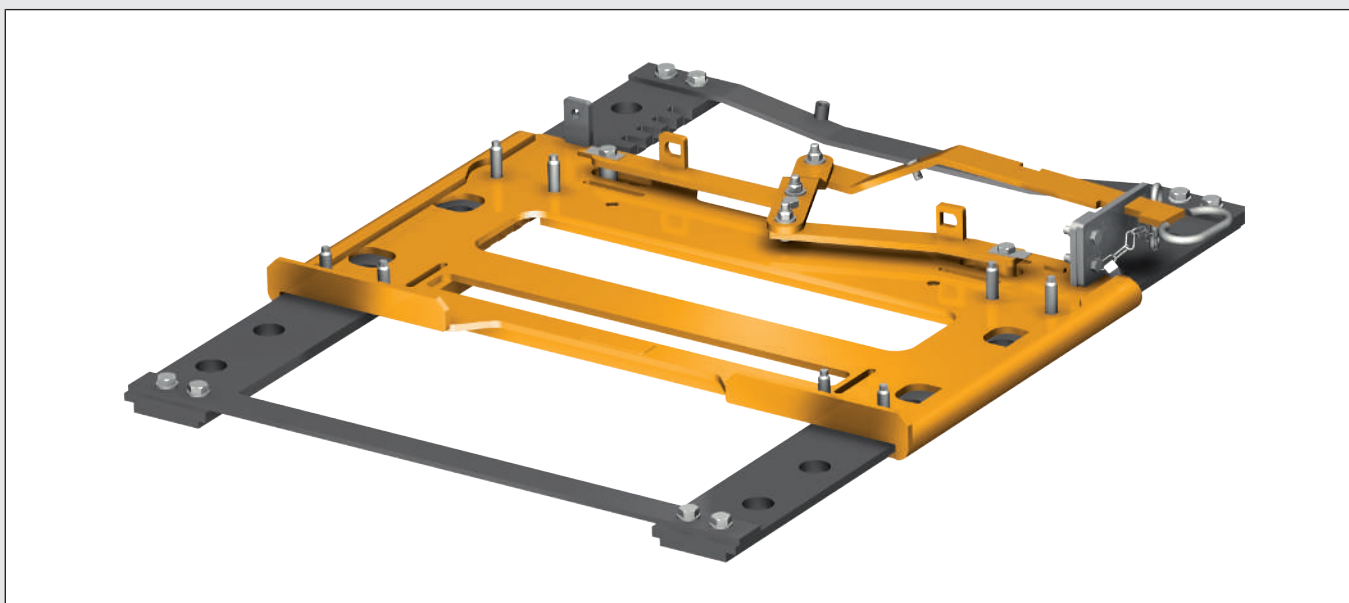
To permissible axle loads and vehicles lengths



SK-V 20

The slotted base rails with teeth and slotted rails are mounted directly to the supporting frame of the tractor. The carriage with the locking mechanism is designed for mounting fifth wheels with an overall height of 150 - 250 mm.

Info: SAF-HOLLAND sliders are not designed for off-road use.



Technical Data (Manual)

- Direct mounting on vehicle frame
- Imposed Load: 18 t
- D-value: 135 kN
- Overall height: 35 mm
- 14 selectable coupling points, total slider travel of 525 mm
- KTL anti-corrosion coating
- Approved for forced steering
- Mounting hole pattern according to DIN 74081, 74084 and ISO 3842

Technical Data (Pneumatic)

- Imposed Load: 18 t
- D-value: 135 kN
- Overall height 35 mm
- ECE type approval no.: E11 55R-01 5482

Ordering Instructions

- Mounting kit for fifth wheel on slider included in delivery
- Standard versions without predrilled mounting holes
- Models available drilled to specific vehicle type on request
- With conversion of lever support the operating handle height can be changed from 180 mm to 90 mm and vice versa
- Fifth wheels with overall heights of 150 mm and 185 mm are only possible with an operating handle height of 90 mm
- Further types and mounting possibilities on request

Sliders SK-V 20 Standard (Without predrilled mounting holes)

Type	Model	OEM	Axle configuration	Weight [kg]	Mounting width	Dimensions	Handle height	Order no.
SK-V 20	manually	-	4x2	110	780-900	1250x960	90	662204500
SK-V 20	manually	-	4x2	110	780-900	1250x960	180	662204524
SK-V 20	pneumatically	-	4 x 2	105	780-900	1250 x 960		662205500

Sliders SK-V 20 (With predrilled OEM hole patterns)

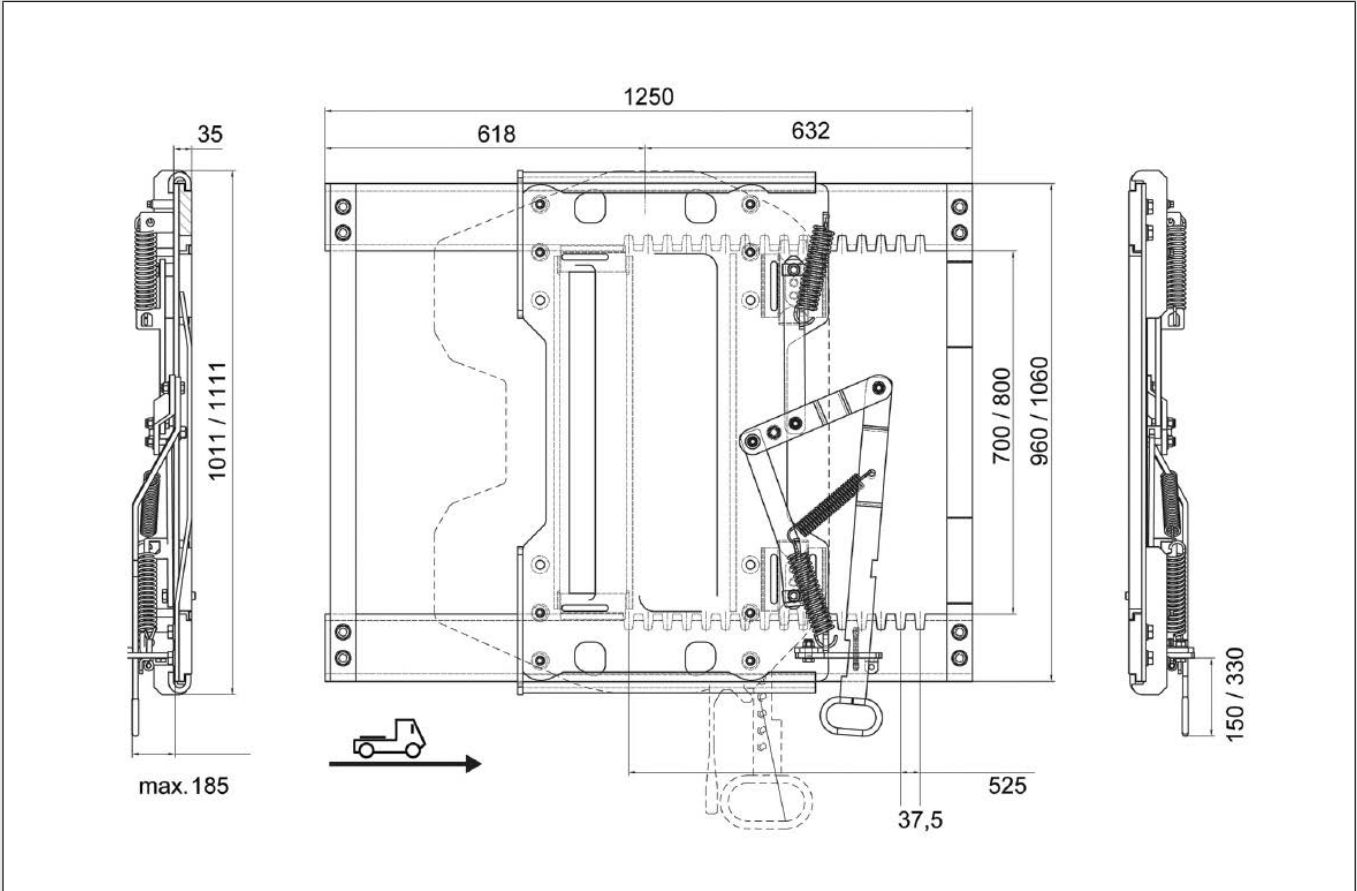
Type	Model	OEM	Axle configuration	Weight [kg]	Mounting width	Dimensions	Handle height	Order no.
SK-V 20	manually	IVECO	4x2 / 6x2	110	780-900	1250x960	90	662204501
SK-V 20	manually	IVECO	4x2 / 6x2	110	780-900	1250x960	180	662204502
SK-V 20	pneumatically	IVECO	4 x 2	105	780-900	1250 x 960		662205501
SK-V 20	manually	Mercedes Benz MP3	4x2 / 6x2	110	780-900	1250x960	90	662204503
SK-V 20	manually	Mercedes Benz MP3	4x2 / 6x2	110	780-900	1250x960	180	662204504
SK-V 20	pneumatically	Mercedes Benz MP3	4 x 2	105	780-900	1250 x 960		662205503
SK-V 20	manually	Scania / DAF	4x2	110	780-900	1250x960	90	662204507
SK-V 20	manually	Scania / DAF	4x2	110	780-900	1250x960	180	662204508
SK-V 20	pneumatically	Scania / DAF	4 x 2	105	780-900	1250 x 960		662205507
SK-V 20	manually	MAN	4x2	110	780-900	1250x960	90	662204509
SK-V 20	manually	MAN	4x2	110	780-900	1250x960	180	662204510
SK-V 20	pneumatically	MAN	4 x 2	105	780-900	1250 x 960		662205509
SK-V 20	manually	Scania	6x2	110	780-900	1250x960	90	662204515
SK-V 20	manually	Scania	6x2	110	780-900	1250x960	180	662204516
SK-V 20	pneumatically	Scania	6 x 2	105	780-900	1250 x 960		662205515
SK-V 20	manually	MAN	6x2	110	780-900	1250x960	90	662204517
SK-V 20	manually	MAN	6x2	110	780-900	1250x960	180	662204518
SK-V 20	pneumatically	MAN	6 x 2	105	780-900	1250 x 960		662205517
SK-V 20	manually	Volvo	4x2 / 6x2	136	930	1250x1060	90	662204519
SK-V 20	pneumatically	Volvo	4 x 2	131	930	1250 x 1060		662205519
SK-V 20	manually	Volvo (light) / Renault *	4x2 / 6x2	129	930	1250x1060	90	662204520
SK-V 20	manually	Volvo (light) / Renault *	4x2 / 6x2	129	930	1250x1060	180	662204522
SK-V 20	pneumatically	Volvo (light) / Renault *	4 x 2	124	930	1250 x 1060		662205520
SK-V 20	manually	AU+NZ / Mercedes Benz MP4	4x2 / 6x2	113	952,6	1250 x 1060	90	662206401
SK-V 20	manually	AU+NZ / Mercedes Benz MP4	4x2 / 6x2	113	952,6	1250 x 1060	180	662206402
SK-V 20	pneumatically	AU+NZ / Mercedes Benz MP4	4 x 2	124	952,6	1250 x 1060		662206403

* Volvo: mounting of the versions only on auxiliary frames 11 to 50 mm above the vehicle frame

Volvo light: mounting of the versions only on auxiliary frames 0 to 10 mm above the vehicle frame

For 6 x 2 vehicles, we recommend you always call by telephone to confirm the installation height above the vehicle frame before ordering.

Dimensions



Fitting Instructions

SAF-HOLLAND sliders are type approved. Modifications on the slider exclude warranty claims, the liability for defects and cause also the expiration of the type approval.

We recommend you to verify the appropriate installation of the slider SK-V 20 by an authorised expert.

Please take note of the following points when installing sliders:

The slider may only be mounted on the vehicle by qualified personnel in suitable workshops.

The base rail must be rigidly attached to the frame of the tractor according to the vehicle manufacturers instructions and taking into account the forces occurring during operation.

The quantity and grade of the fasteners must adhere to the slider model and vehicle manufacturers look up table below. Incomplete attachment of the slider to the frame (e.g. leaving a fastener out) is not allowed.

The fastening elements must not obstruct the freedom of movement of the carriage.

Load capacity specifications apply to sealed roads and transport conditions normally found in Western Europe. Please consult us if conditions differ.

Mounting Kits for Slider SK-V 20

Type	Mounting	Model	Order no.
725	Mercedes Benz, Australia, New Zealand	12xM20	662101725
726	IVECO, MAN, DAF	14xM16	662101726
727	RVI Renault	12xM16	662101727
728	Volvo	20xM14	662101728
729	Scania	14xM18	662101729

SK-V 20 (Pneumatic)

Installation Kit for SK-V 20 SLIDER (Pneumatic model)

The Installation kit contains all components necessary for connecting the pneumatic sliders to the pneumatic system of the tractor

Type	Order no.
Installation kit (Air operated)	662101802



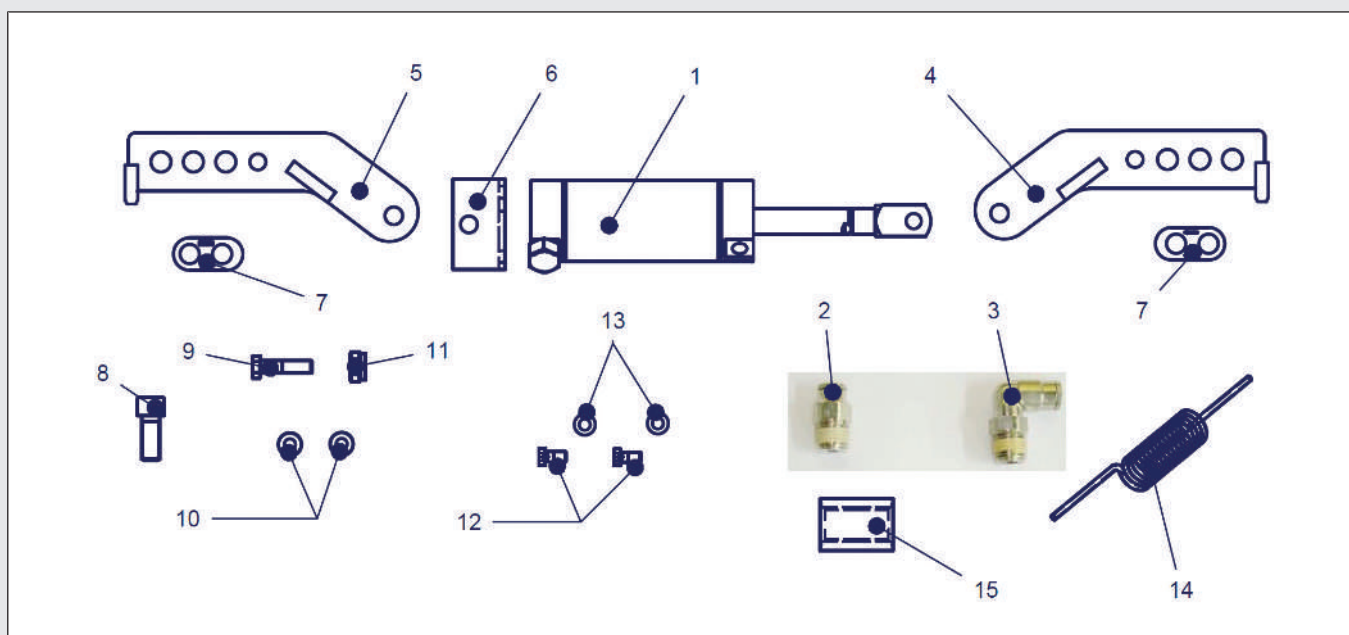
Item	Component	Dimensions	Pcs.	Order no.
1	Valves	3/2	1	659144155
2	Connector	1/8" swivel -6mm - DBV	3	659144158
3	Connector	T-piece - 6mm	1	659144159
4	Pneumatic tube	DIN 74324 - 6x1 - PHL - 10m	1	659144162
5	Sticker		1	659120421

Pneumatic Conversion Kit for SK-V 20 Slider (Pneumatic model)

The manually operated version of the slider SK-V 20 can be retro-fitted with a pneumatic locking mechanism. The slider does not have to be removed from the vehicle's supporting frame for retro-fitting. Retro-fitting should only be carried out by specially trained personnel.

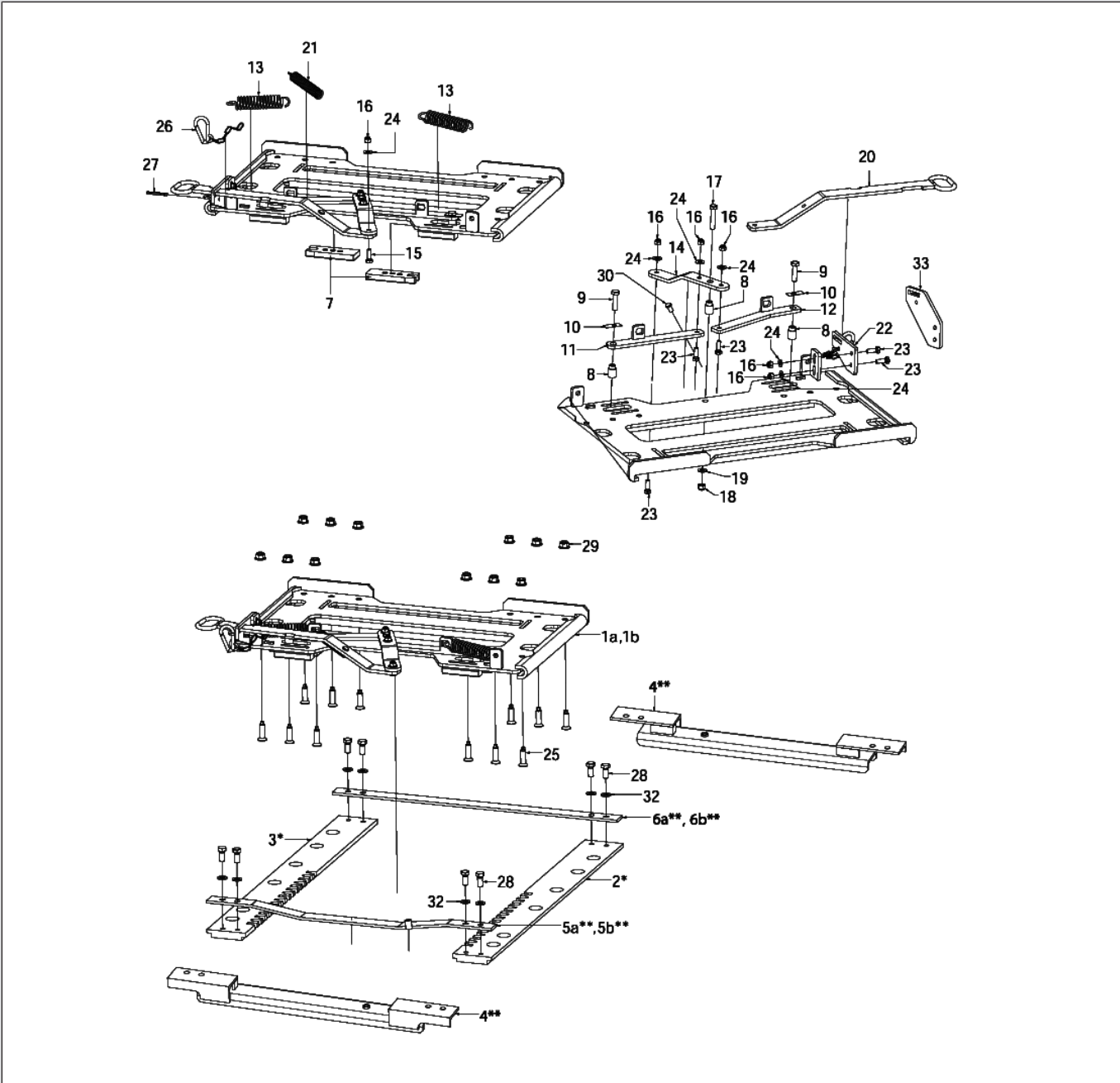
A conversion kit and an installation kit are both required for retro-fitting.

Type	Order no.
SK-V 20 Conversion kit (complete)	662101801



Item	Type	Note	Pcs.
1	Pneumatic cylinder assembly	EM-SPC/050150 Company Norgren	1
2	Connector	1/4" straight – 6 mm – self sealing thread	1
3	Connector	1/4" swivel – 6 mm – self sealing thread	2
4	Locking lever left		1
5	Locking lever right		1
6	Angle		1
7	Spacer		2
8	Hexagon socket screw	ISO 4762 – M14 x 35 – 10.9	4
9	Hex. bolt	ISO 4014 – M12 x 35 – 8.8	1
10	Washer	DIN 125 – A13	2
11	Nut	ISO 7040 – 8	1
12	Hex. bolt	DIN 6912 – M8 x 16 – 8.8	2
13	Washer	DIN 125 – A8.4	2
14	Spiraltube	DIN 74324 – 6 x 1 – PHL (Y)	1
15	Pneumatic adapter	(not shown)	1

Spare Parts SK-V 20



Item	Component	Model	Dimensions	Pcs.	Order no.
	Repair kit locking system (7, 8, 9, 10)			1	662101736
1a	Carriage		780-900	1	662205100
1b	Carriage		900+	1	662205102
2*	Slotted base rail left	without mounting hole		1	662205014
2*	Slotted base rail left	Iveco		1	662205016
2*	Slotted base rail left	Mercedes Benz		1	662205018
2*	Slotted base rail left	Scania		1	662205022
2*	Slotted base rail left	MAN		1	662205024

Item	Component	Model	Dimensions	Pcs.	Order no.
2*	Slotted base rail left			1	662205030
2*	Slotted base rail left			1	662205033
2*	Slotted base rail left			1	662206050
3*	Slotted base rail right	without mounting hole		1	662205015
3*	Slotted base rail right	Iveco		1	662205017
3*	Slotted base rail right	Mercedes Benz		1	662205019
3*	Slotted base rail right	Scania		1	662205023
3*	Slotted base rail right	MAN		1	662205025
3*	Slotted base rail right			1	662205031
3*	Slotted base rail right			1	662205034
3*	Slotted base rail right			1	662206051
4**	Cross member	Scania	6x2	2	662205090
5a**	Stopper ahead		780-900	1	662205032
5b**	Stopper ahead		900+	1	662206052
6a**	Stopper back		780-900	1	662205012
6b**	Stopper back		900+	1	662206053
7	Locking finger			2	662205035
8	Bush			3	662205036
9	Hex-screw			2	659112628
10	Locking plate			2	662205038
11	crank left			1	662205039
12	crank right			1	662205040
13	Return spring			2	662205041
14	crank			1	662205042
15	Hex-screw			1	659112632
16	Hex-nut		M8	5	662132215
17	Hex-screw			1	659112629
18	Hex-nut			1	659115514
19	Washer			1	662101472
20	Operating handle			1	662205048
21	Return spring			1	662205049
22	Lever support		90mm	1	662205050
23	Hex-screw		M12x35 - 8.8	5	659112630
24	Washer		A13	5	662132204
25	Countersink screw			12	662205054
26	Clipper with linkage			1	662100574
27	Cotter pin			1	662126184
28	Hex-screw			8	659112631
29	Hex-nut		M16x1,5 - 10	12	659115308
30	Bolt			1	659110217
32	U-washer		17x30	8	662126159
33	Lever support		180mm	1	662205051

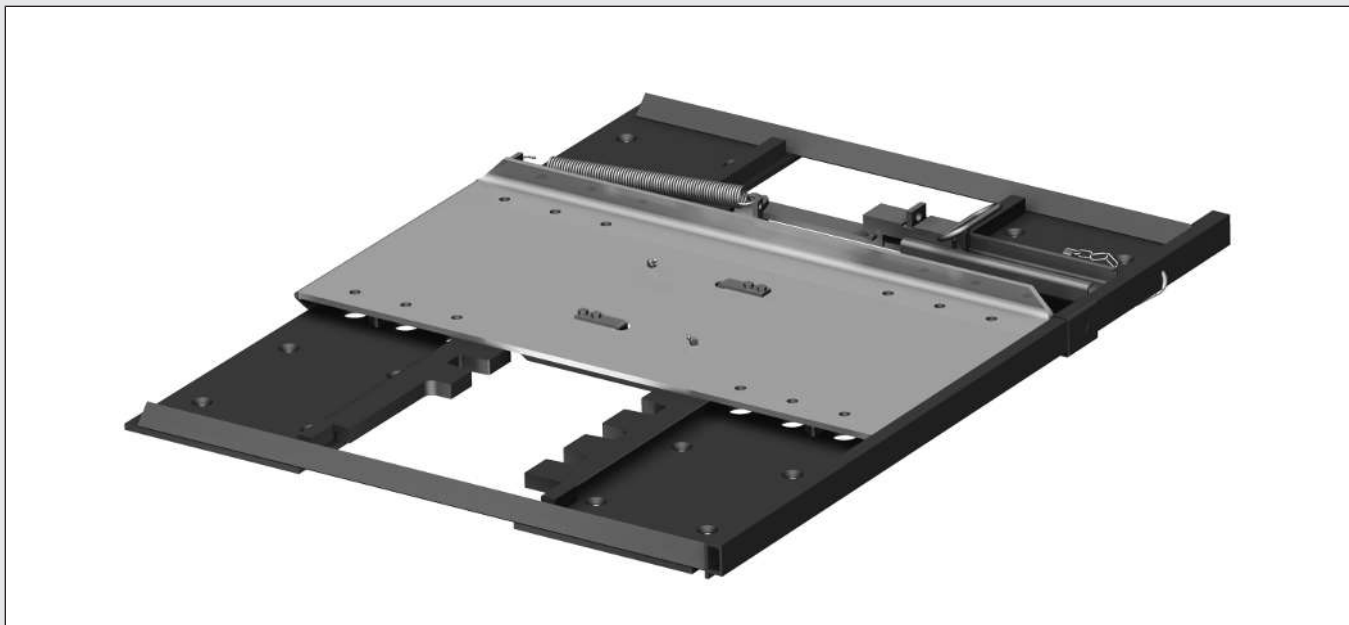
* Items 2 and 3: Slotted base rails in the standard version without holes and only available as set (left and right models)

** Scania 6x2 models: Items 5a and 6a replaced by 2 x item 4 crossbar

** Volvo model: Item 5b and 6b replaced by 2 x item 4 crossbar

** MAN 6x2 model: Item 5a replaced by 1 x item 4 crossbar

SK-V 22



The slotted base rails and mechanism for pre-selecting the slider position are firmly attached to the frame of the tractor. The carriage with the control and stopping mechanism is designed for mounting fifth wheels of all standard makes with an overall height of 150–190 mm.

- 7 selectable coupling points
- Total slider travel of 630 mm
- Overall height: 45 mm
- Approved for semi-trailer steering systems
- KTL anti-corrosion coating
- Imposed load: 22 t
- D-value: 162.4 kN

Technical Data on Slider

- Approved for forced steering
- Mounting hole pattern according to DIN 74081, 74084 and ISO 3842
- ECE type approval no.: E11-55R-01 0386

Type	Weight [kg]	Wide auxiliary frame [mm]	VE-Width [mm]	Order no.
SK-V 22	165	680 - max. 880	1005	662204007
SK-V 22	173	680 - Max. 970	1095	662204008

Load capacity specifications apply to sealed roads and transport conditions normally found in Western Europe. Please consult us if conditions differ.

We recommend using our mounting kits for mounting sliders, intermediate plates and fifth wheels, order no. 662 101 393.

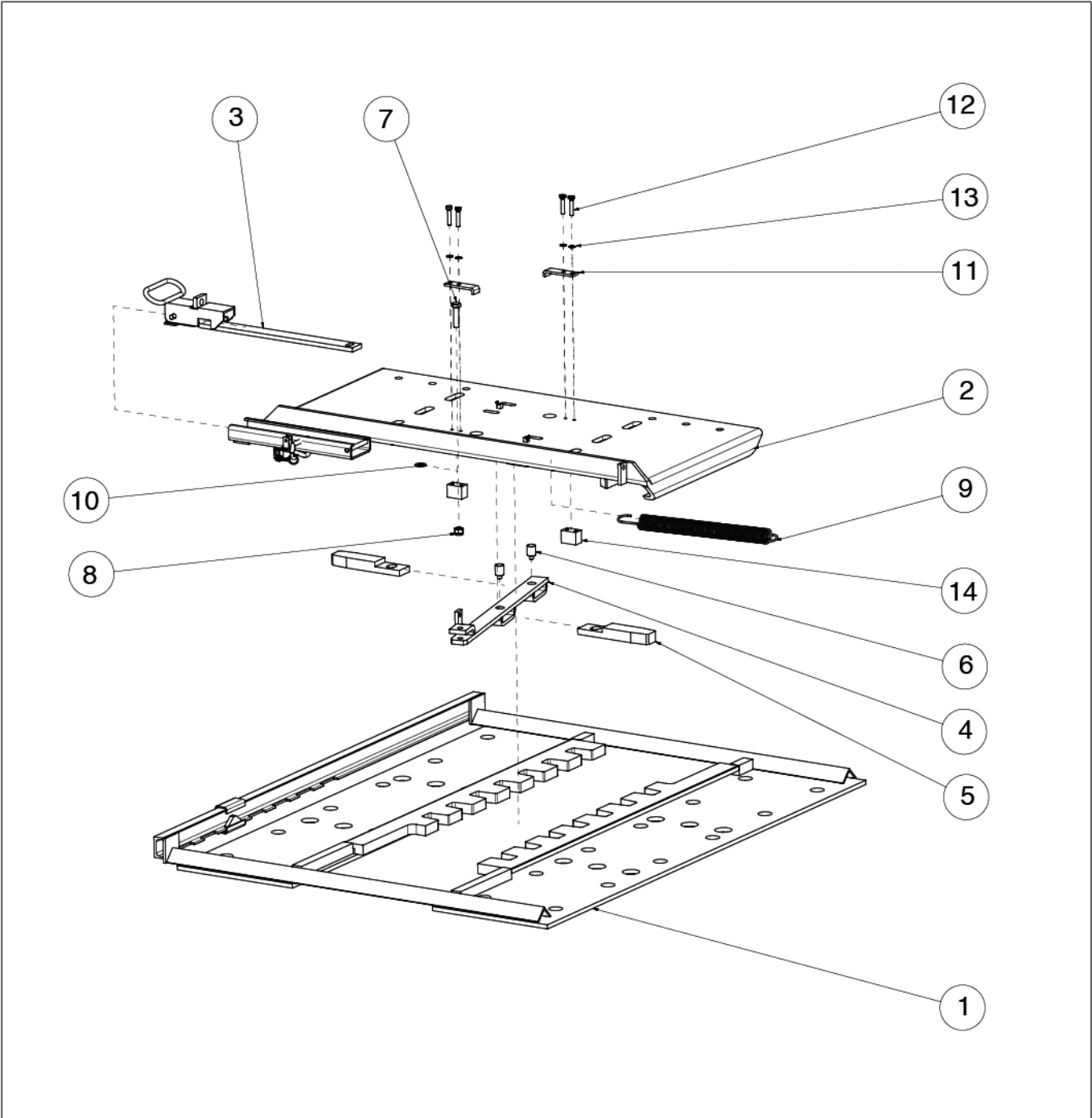
SK-V 22 was inspected and approved with the intermediate plates ZP 187 and ZP 188. The intermediate plates ZP 187 and ZP 188 have to be drilled in the corrugation grooves in order to be mounted on the vehicle frame.

Technical Data Intermediate Plate

- ECE type approval no.: E11 55R-010381

Type	Dimensions [mm]	Weight [kg]	Compatible with	Order no.
ZP 188	880±2 x 1370 x 22	69	SK-V22 662204007	662204188
ZP 187	970±2 x 1370 x 22	76	SK-V22 662204008	662204187

Spare Parts SK-V 22



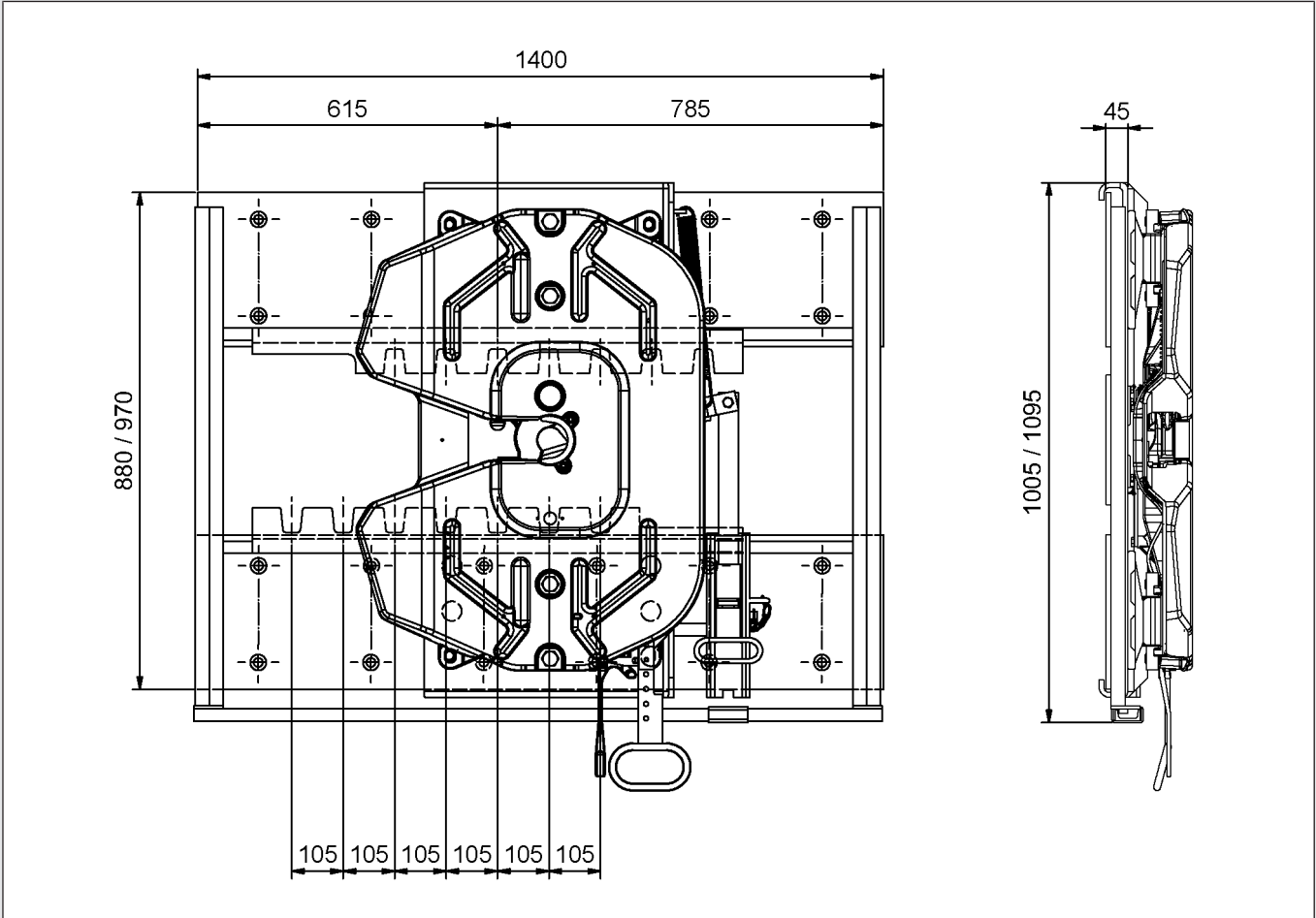
Spare parts for SK-V22 – 662 204 007

Item	Component	Dimensions	Pcs.	Order no.
	Repair kit locking mechanism cpl. (5, 6, 7, 8, 10, 11, 12, 13, 14)			662101764
	Repair kit Operating handle (007) (3, 7, 8, 9, 10)			662101778
1	Locking finder		1	662204179
2	Carriage (007)		2	662204170
3	Operating handle (007)		1	662204178
4	crank		1	662204169
5	Locking hook		2	662204131
6	Bolt		2	662204168
7	Hex-nut	M12x50	1	659100019
8	Hex-nut	M12x80	1	659115125
9	Return spring		1	662114112
10	Washer	A13	1	662132204
11	Locking plate		2	662204186
12	Hex-screw	SIO 4017 - M8x40	4	659100038
13	Spring washer		4	659100039
14	Stopper		2	662204202

Spare parts for SK-V22 – 662 204 008

Item	Component	Dimensions	Pcs.	Order no.
	Repair kit locking mechanism cpl. (5, 6, 7, 8, 10, 11, 12, 13, 14)			662101764
	Repair kit Operating handle (008) (3, 7, 8, 9, 10)			662101765
1	Locking finder		1	662204185
2	Carriage (008)		2	662204180
3	Operating handle (008)		1	662204184
4	crank		1	662204169
5	Locking hook		2	662204131
6	Bolt		2	662204168
7	Hex-nut	M12x50	1	659100019
8	Hex-nut	M12x80	1	659115125
9	Return spring		1	662114112
10	Washer	A13	1	662132204
11	Locking plate		2	662204186
12	Hex-screw	SIO 4017 - M8x40	4	659100038
13	Spring washer		4	659100039
14	Stopper		2	662204202

Dimensions



Fitting Instructions

Sliders are type approved. Modifications on the slider exclude warranty claims, the liability for defects and cause also the expiration of the type approval.

We recommend you to verify the appropriate installation of the slider SK-V 22 by an authorised expert.

Please take note of the following points when installing sliders:

The slider may only be mounted on the vehicle by qualified personnel in suitable workshops.

The base rail must be rigidly attached to the frame of the tractor according to the vehicle manufacturer's instructions and taking into account the forces occurring during operation. The slider is fastened to the vehicle frame via the countersunk holes in the base plate.

The permissible vertical loads on the tractor for the different positions must be entered clearly and indelibly in the areas provided on the manufacturer's plate.

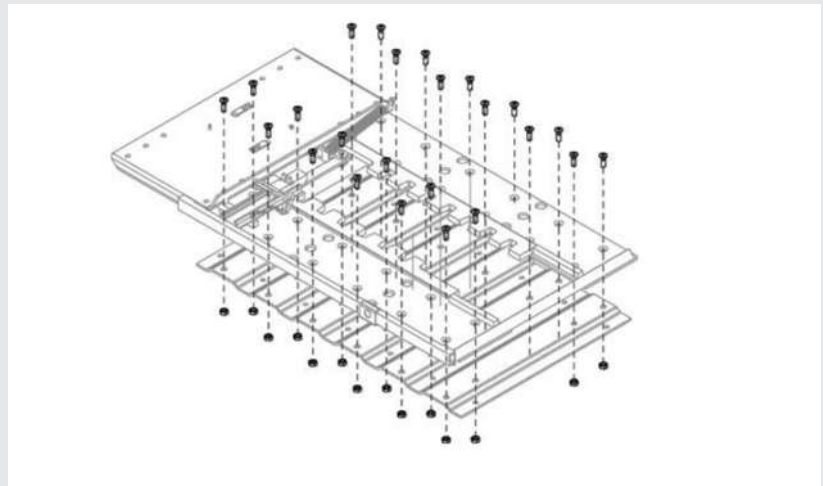
Mounting Kits SK-V 22

Type	Mounting	Order no.
Mounting kit 701	Slider on intermediate plate	662101701
Mounting kit 702	Intermediate plate on vehicle frame	662101702
Mounting kit 703	Fifth wheel SK-S 36.20 on slider	662101703
Mounting kit 551	SK (3½") on MP and FHR	662101551

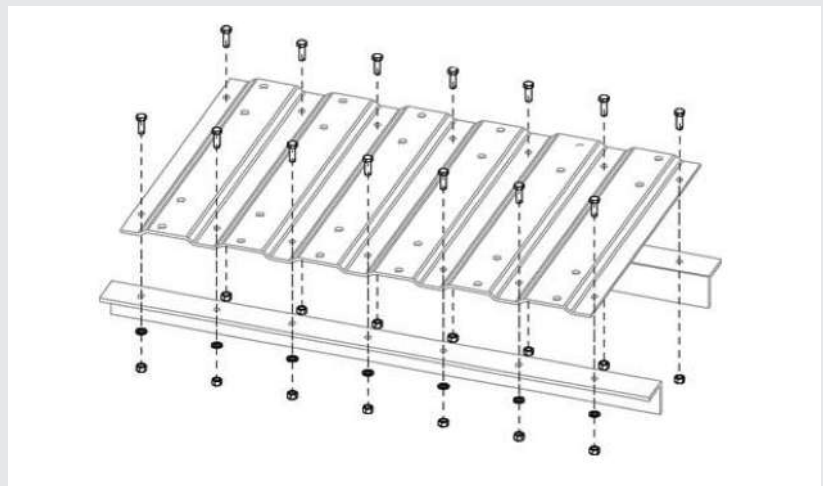
FHR = vehicle auxiliary frame

- Tightening torque for slider / intermediate plate fastening screws: 215 Nm
- All other fastening screws: 190 Nm

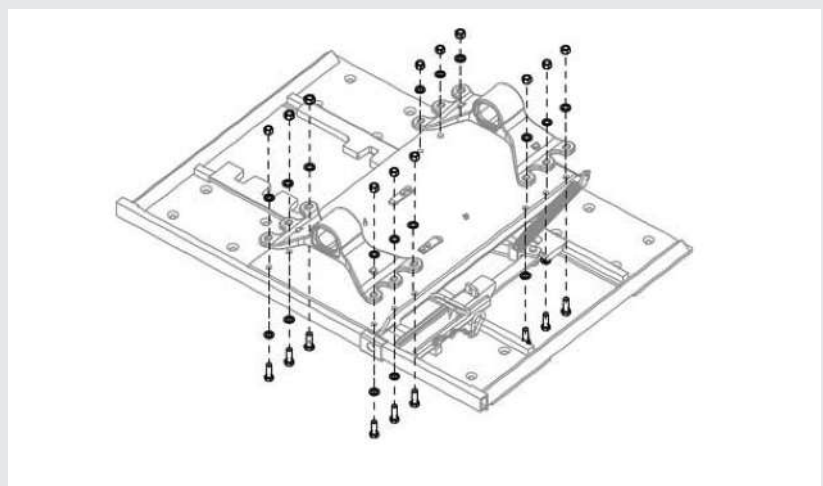
MOUNTING KIT 701 FOR SLIDER ON INTERMEDIATE PLATE



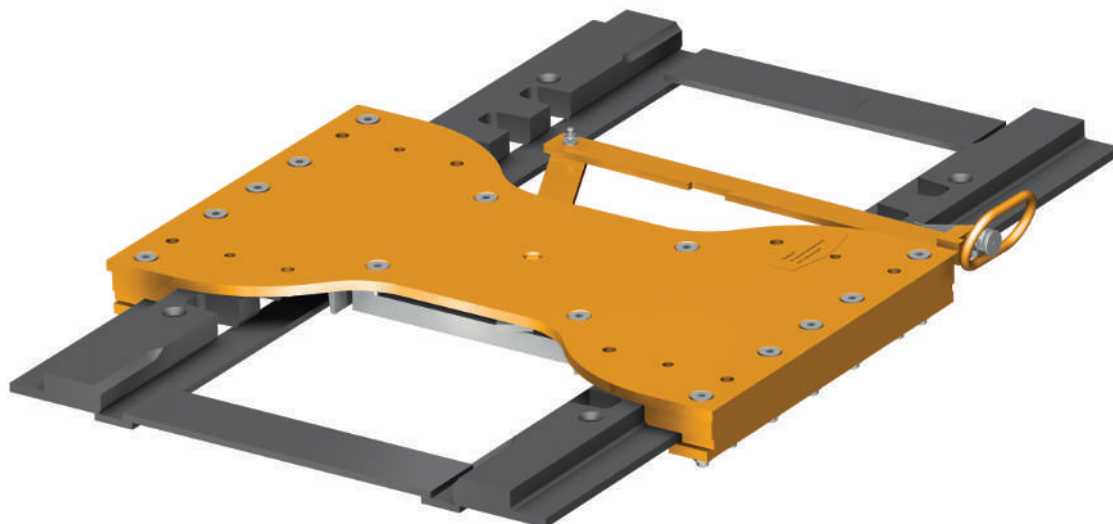
MOUNTING KIT 702 FOR INTERMEDIATE PLATE ON VEHICLE FRAME



MOUNTING KIT 703 FOR FIFTH WHEEL ON SLIDER

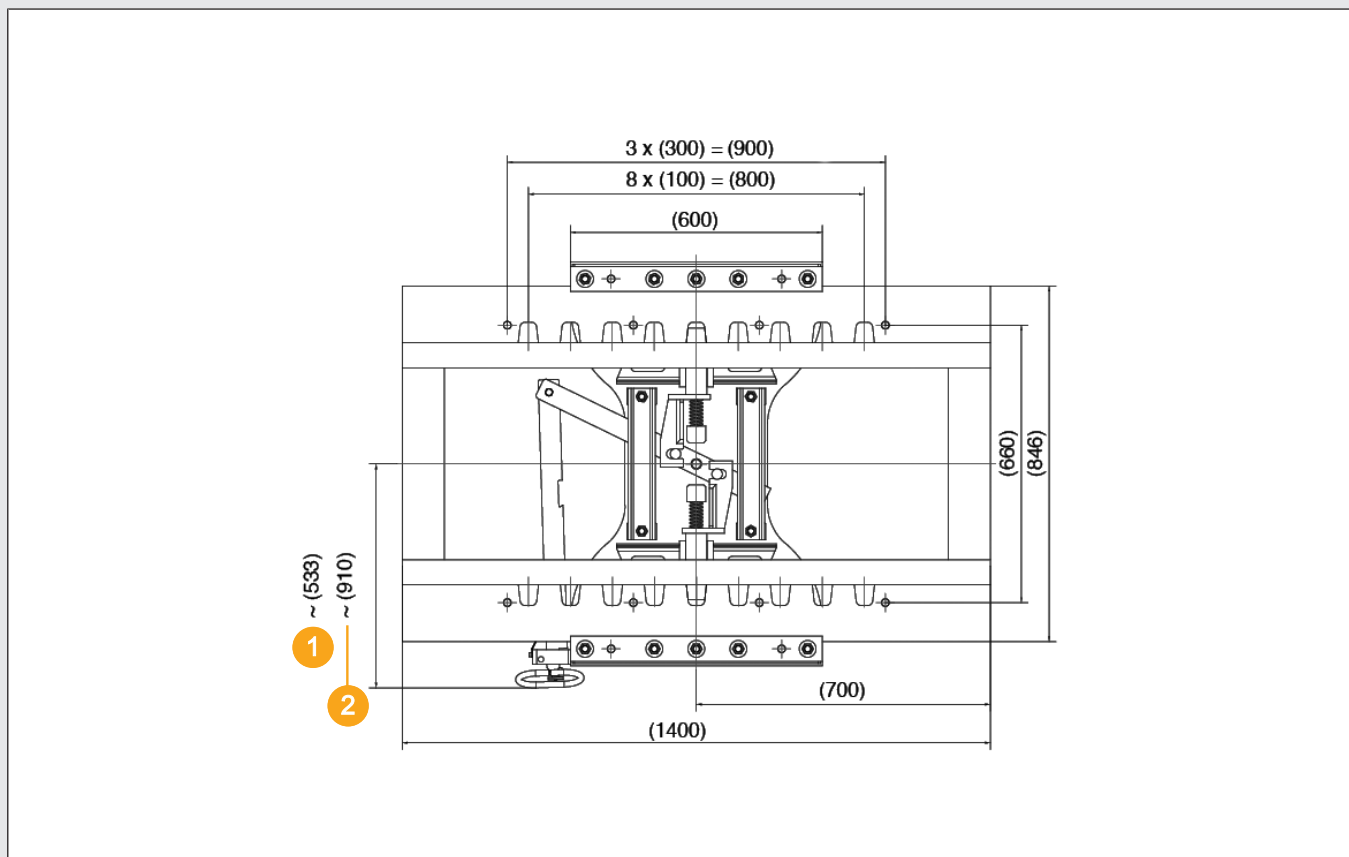


Heavy Duty Slider SK-V 36



- Imposed load: 36 t
- D-Value: 260 kN
- Weight: 223 kg
- Basic height: 57 mm
- Overall height: 58 mm
- Frame width: 760 - 800 mm
- Dimensions: 1400 x 850 mm
- KTL anti-corrosion coating
- 9 selectable coupling points
- Total slider travel of 800 mm
- Approved for forced steering
- Suitable for fifth wheels with hole pattern according to DIN 74081, DIN 74084 and ISO 3842
- Suitable for heavy duty fifth wheels up to amounting height of 190 mm
- Auxiliary frame for mounting on vehicle not included in delivery
- ECE type approval no.: E11-55R-01 7609

Dimensions

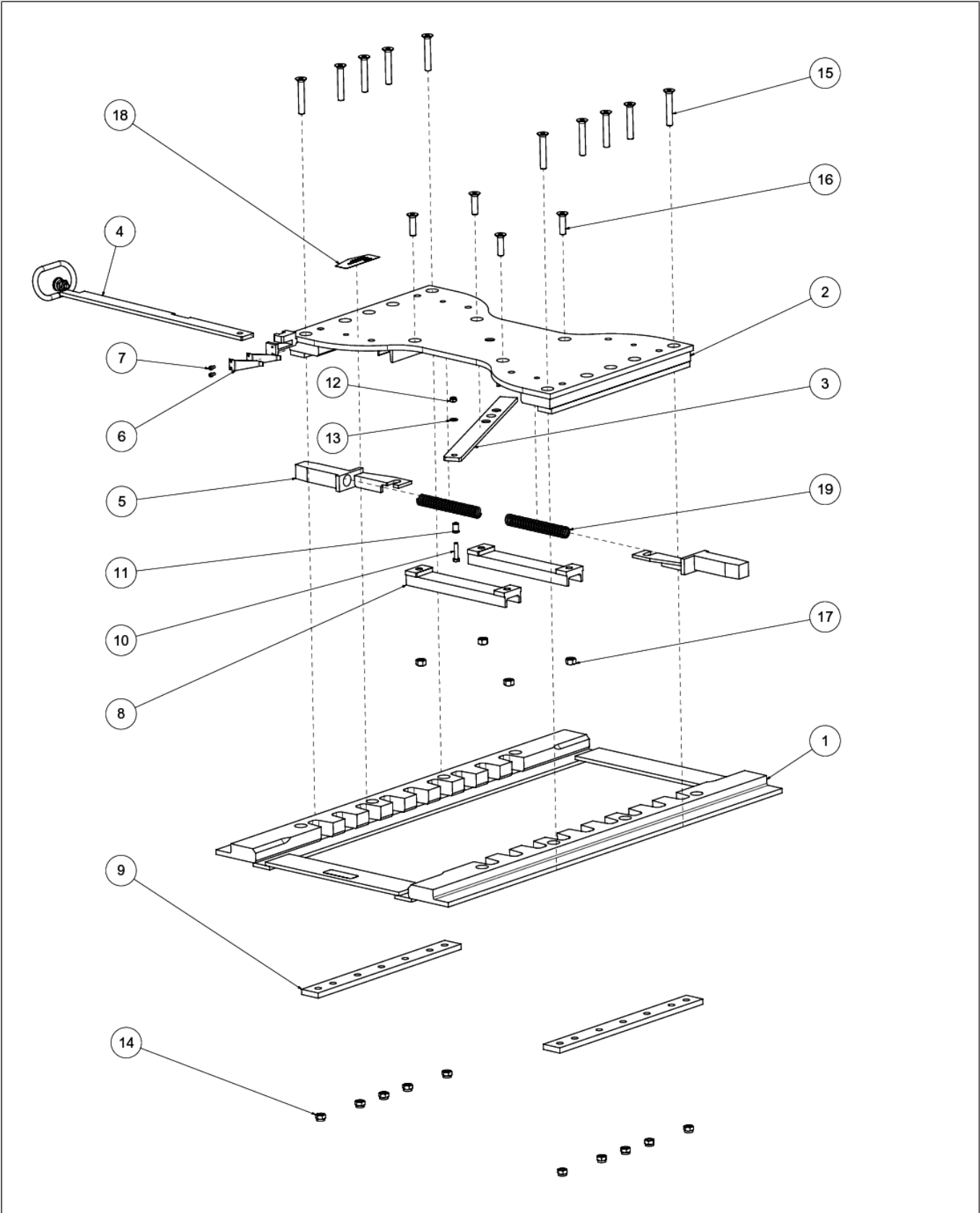


1	In position "locked"
2	In position "unlocked"

Technical Data

Type	Order no.
SK-V 36	662207001
for SK HD 38.36 on slider SK-V 36	662101584

Spare Parts SK-V 36



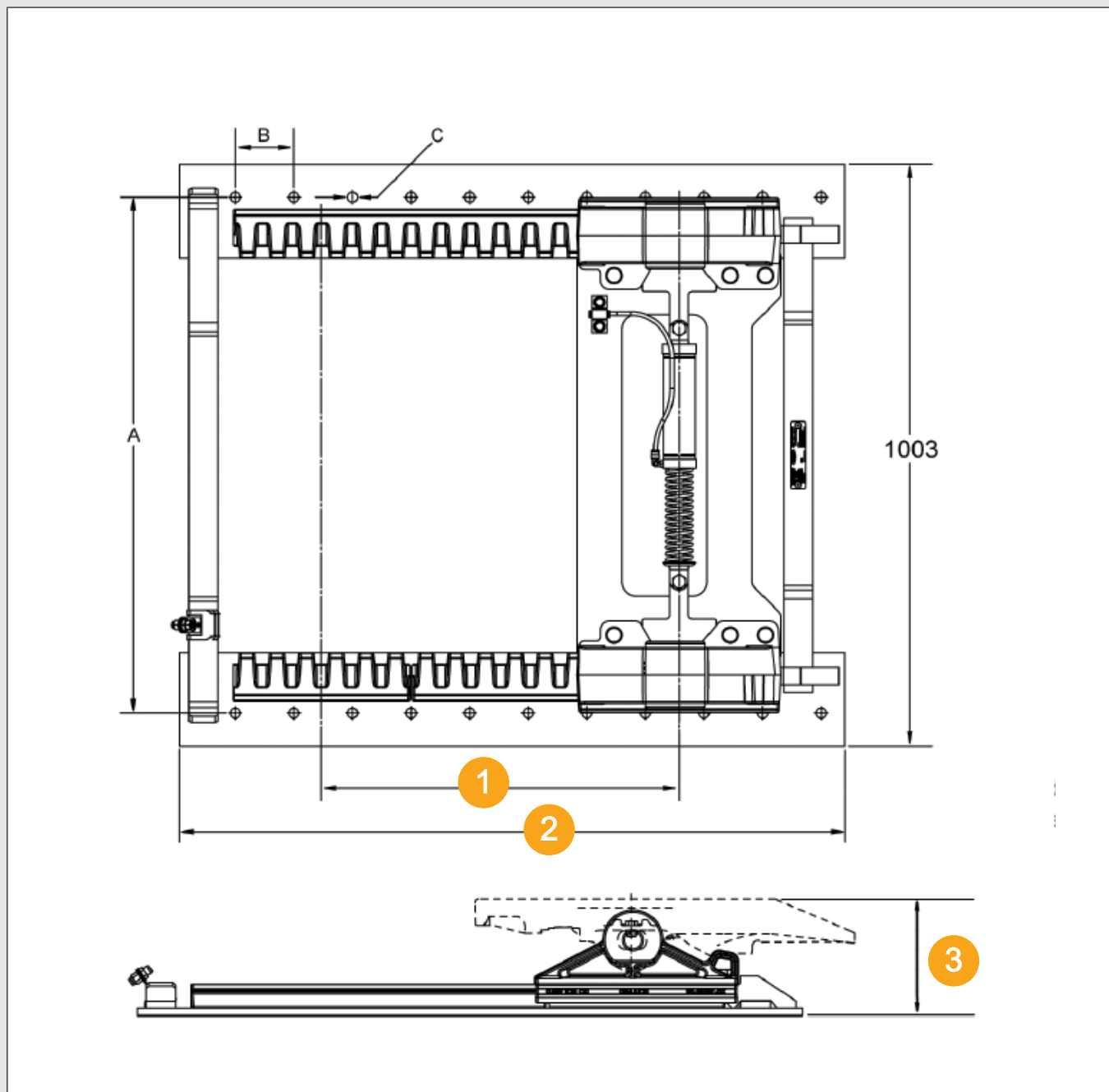
Item	Component	Dimensions	Pcs.	Order no.
	Repair kit locking mechanism cpl.			662101759
1	Locking finder		1	662207010
2	Carriage		1	662207012
3	crank		1	662207021
4	Operating handle		1	662207016
5	Locking finger		2	662207014
6	Spring plate		2	662207023
7	Hex socket head screw	M6x12	2	659112354
8	Towbar		2	662207019
9	Carriage		2	662207017
10	Hex socket head screw		1	659112357
11	Bush		1	659122076
12	Hex-nut		1	659100036
13	U-washer		1	662126175
14	Hex-nut		10	659115130
15	Countersink screw	M16x100 - 10.9	10	659112385
16	Countersink screw	M16x1,5x60	4	659100015
17	Hex-nut	VM 16x1,5	4	662101358
18	Instruction plate		1	659120425
19	Spring		2	662207022

ILS Slider



- Available for all HOLLAND standard fifth wheel top plates, FW3510.
- Standard travel lengths of 610 mm and 1220 mm, travel lengths of 915 mm and 1555 mm available to special order.
- Air release standard on all models.
- Fifth wheel position adjustable in 50.8 mm increments.
- Supplied pre-drilled for bolting directly to tractor unit mounting angels.
- D-value: 150 kN
- Overall height: 173, 198, 236 mm
- Imposed load: 20 t
- Weight: 217 - 276 kg
- ECE type approval no.: E11-55R-01 0056

Dimensions



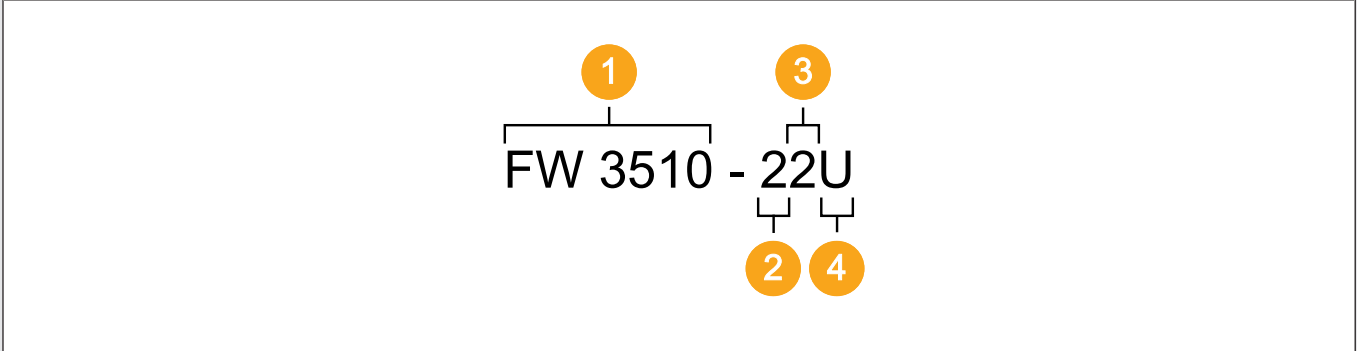
A	Hole centres	1	Slide travel*
B	Hole spacing	2	Slide plate length*
C	Hole size	3	Height*

Available to suit OEM chassis mounting angles

Part Number ILS Slider

Part number for complete sliding fifth wheel assemblies

Note: For all air operated sliding fifth wheel assemblies also order air control kit RK2500-10-A



(1)

Fifth wheel type	
FW3510	3510

(2)

Overall height Code	Actual height for model type* FW3510
1	173
2	198
3	236

(3)

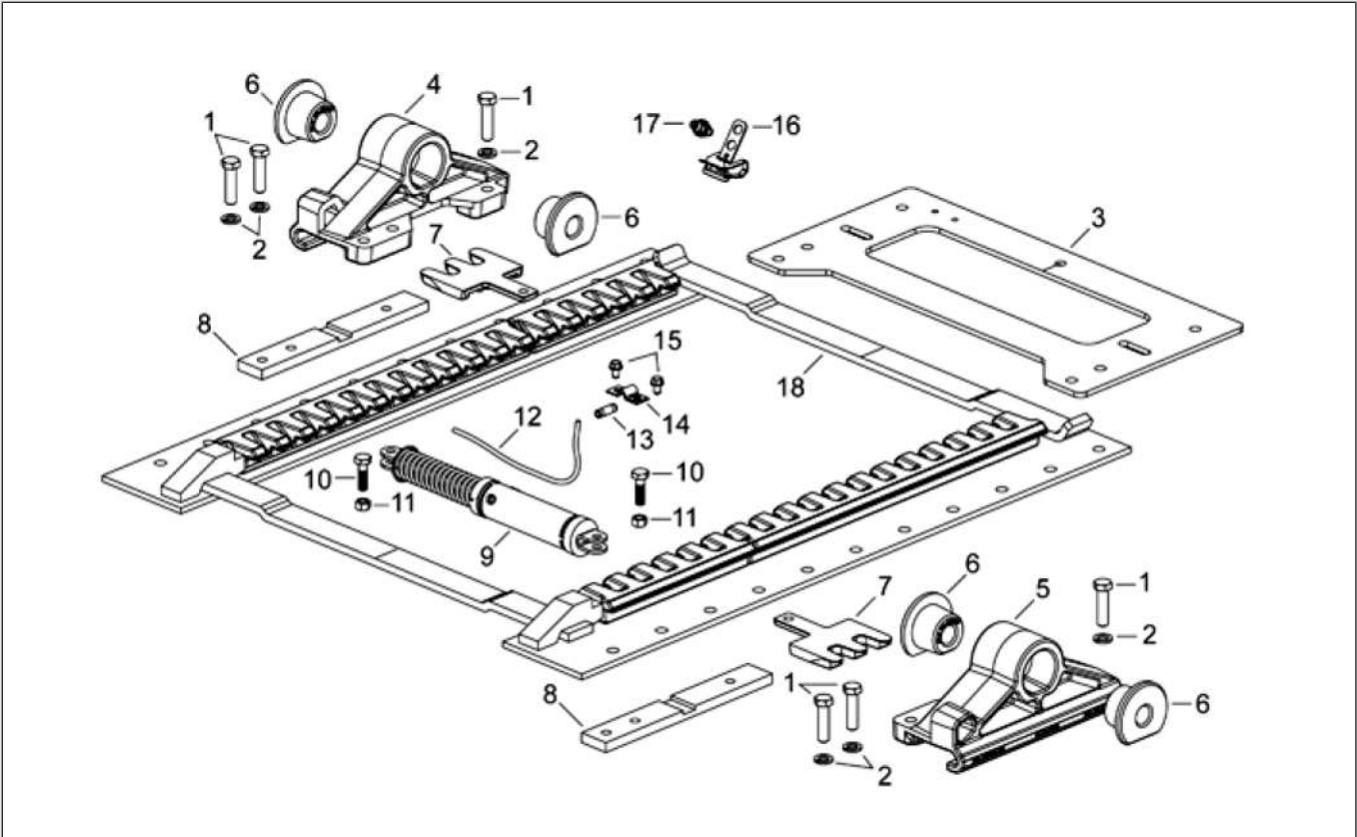
Length Code	Travel length*	Slide plate length*
1	305	830
2	610	1135
3	915	1440
4	1220	1745
5	1525	2050

(4)

Drilling pattern	
U	Undrilled
J	Mercedes-Benz
J1	Mercedes-Benz (949 mm)
Z	Iveco
S	Scania
G	MAN
PR	Volvo gen4 / RVI T-Serie (930-940 mm)

* All dimensions in millimetres

Spare Parts ILS Slider



Item	Component	Dimensions	Pcs.	Order no.
	Pneumatic kit		1	RK-2500-20A
1	Hex socket head screw	M16x60	6	XB-HCS-M16-90-Z
2	Spring washer	M16	6	XB-LW-M16-Z
3	Slider base		1	XA-10606-1
4	Mounting bracket left-low		1	XD-10689-1L
4	Mounting bracket left-medium		1	XD-10689-2L
4	Mounting bracket left-high		1	XD-10689-3L
5	Mounting bracket right-low		1	XD-10689-1R
5	Mounting bracket right-medium		1	XD-10689-2R
5	Mounting bracket right-high		1	XD-10689-3R
6	Rubber bush		4	XB-10605
7	Shoe S/A		2	XA-10604-1
8	Buffer		2	XA-10711-1
9	Air cylinder		1	XA-10700
10	Hex-screw	1/2 - 20x1,75"	2	XB-2083
11	Hex-nut	1/2"-20"	2	XB-T-69-A
12	Air line		1	XB-10809
13	Connector		1	XB-10815
14	Retaining clamp		1	XB-10816
15	Screw		2	XB-10814
16	Bracket		1	XA-10736
17	Rückwand-Schnellverbinder		1	XB-10748
18	Brake cylinder support	610 mm**	1	XA-E-2
18	Brake cylinder support	915 mm**	1	XA-E-3
18	Brake cylinder support	1220 mm**	1	XA-E-4
18	Brake cylinder support	1525 mm**	1	XA-E-5

** Designation for OEM specific hole spacing

MOUNTING KITS FOR ILS SLIDER

Mercedes Benz MP3	662101791
IVECO	662101792
DAF, MAN, Volvo/Renault (M16)	662101793
Mercedes Benz MP4 /AU+NZ	662101794

