

E57

Automatic couplings

The V.ORLANDI E57 series is a 57 mm automatic drawbar coupling, which is designed for steering drawbar trailers and central axle trailers. This coupling series is homologated according to ECE R55 standard and it is easy to handle and can be maintained very fast and cost efficient. All E57 couplings can be adjusted with various sensor and remote options.



Technical data

Flange size	160 x 100 [mm]
D-Value	300 - 350 [kN]
DC-Value	145 [kN]
S-Load (Mass load)	1000 - 3000 [kg]
V-Value	60 - 95 [kN]
Weight	60 [kg]
Homologation	ECE R55 (class S)
Drawbar eye standard	SWEDISH SS550100-PART2; ECE R55 (class S)

Specs

- Robust rigid coupling, simple installation
- Cast STEEL Bellmouth technology
- $\pm 91^\circ$ steering angle and $\pm 22^\circ$ vertical oscillation
- High towing values
- Proved according to the latest ECE-R55
- Easily upgradable with manual or pneumatic remote opening system
- Fast Plug and Play connection with several sensor indicators
- Opening lever available either upwards or downwards

E57

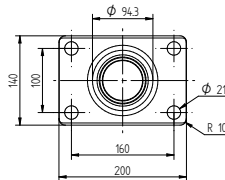
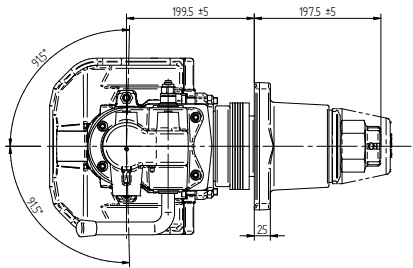
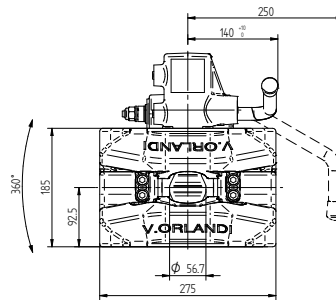
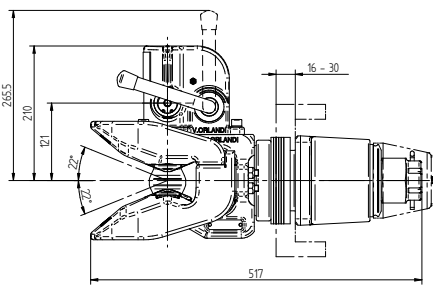
Automatic couplings



For drawbar eyes	Ø 57.5	ECE R55
------------------	------------------	---------

TECHNICAL DATA

Part number	Hole pattern [mm]	D-Value [kN]	DC-Value [kN]	S-Load [kg]	V-Value [kN]	Weight [kg]	Homologation	
							Class	ECE R55
GE575A0	160 x 100	300	145	1000	95	60	S	E11 01-10061
GE575B0				3000	60			
GE576A0	160 x 100	350	145	1000	95	60	S	E11 01-10665
GE576B0				3000	60			



Create your part number:

	E	XXX	X	X
D-Value				
Action lever type				
Version				

D-Value

- 575 = 300 kN
- 576 = 350 kN

Action lever types

- A = Short lever
- B = Long lever

Versions

- 0 = Standard
- 1 = Standard + CO02601
- 6 = Standard + CO01606
- 7 = Standard + CO01420
- 9 = Standard + CO02110

Lever type	Version			
A/B	1	6	7	9
	in cab	in cab	out cab	out cab