

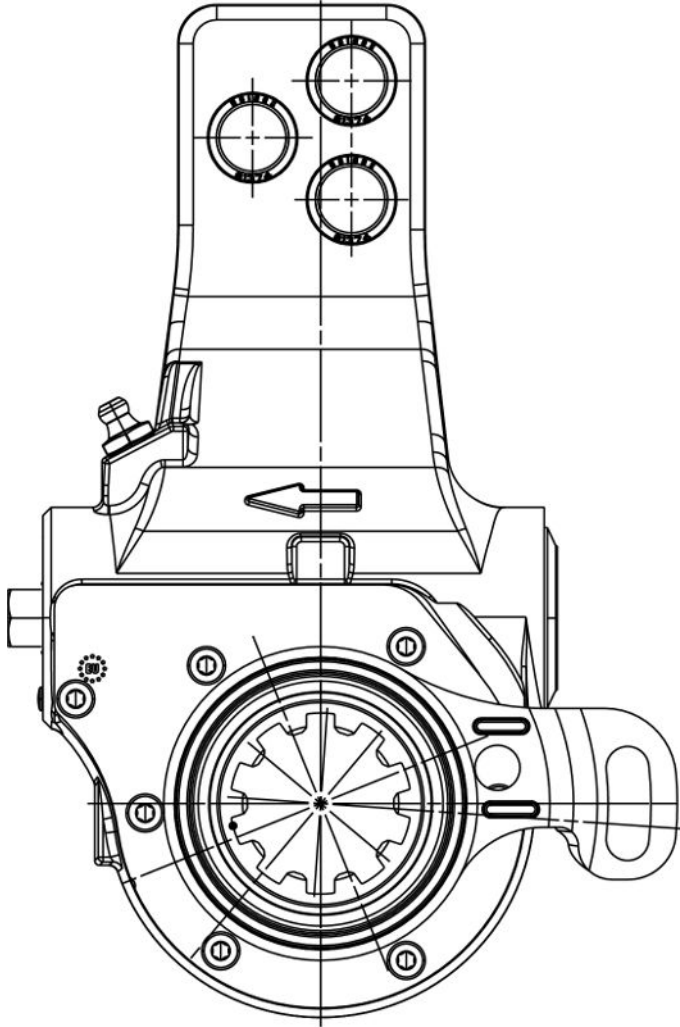


www.sauer-qualityparts.com

SLACK ADJUSTERS

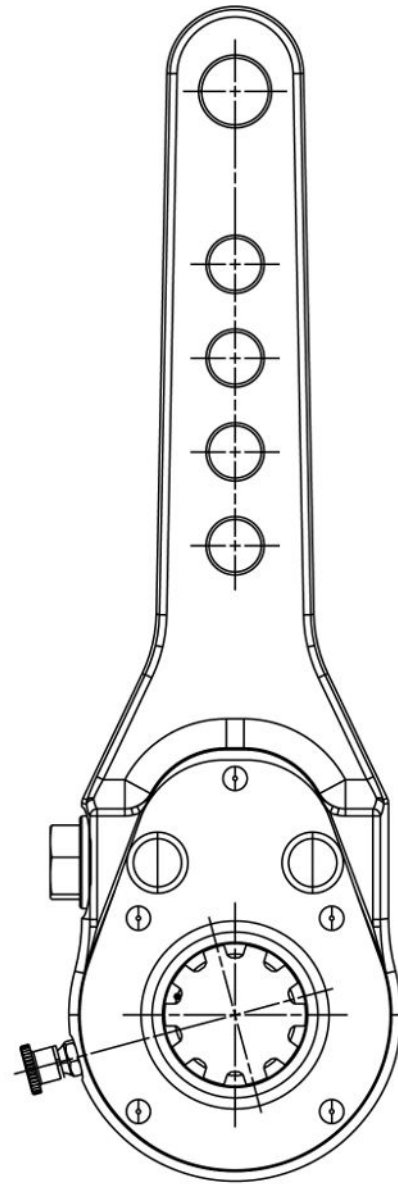
Truck and Trailer Parts





A

A – Automatic



M

M – Manual

Slack adjusters

Part No. ①	Ref. No. OEM ②	Application	LH / RH	M / A	Ref. No. Haldex ②
S1750001000	0517482212	BPW	LH / RH	A	80019 72876 72875 79327
	0517482213	BPW			
	0517482220	BPW			
	0517482222	BPW			
	0517482223	BPW			
	0517482493	BPW			
	0557482021	BPW			
	0557482121	BPW			
	0557482190	BPW			
	0557482220	BPW			
	0557482430	BPW			
	0557482432	BPW			
	0557482433	BPW			
	0557482552	BPW			
	0557482553	BPW			
	0557482763	BPW			
10613835	Van Hool				
S1750003000	1325313	DAF	LH / RH	A	80020 72788
	1325313A	DAF			
	1325313R	DAF			
	21222694	Meritor/ROR			
	21223694	Meritor/ROR			
	21229249	Meritor/ROR			
S1750004000	03434350203	SAF	LH / RH	A	80022 79005
	03434350202				
	03434350201				
	03434350204				
	04175008500				
	04175008501				
	04175015401				
	04175022800				
	04175024000				
	04175024900				
	04175031400				
	04175037400				
	S1750005000				
M023565		Fruehauf			
S1750013000	CF352196	Frühauf	LH / RH	M	106007001 103007001
	21219681	Meritor/ROR			
	9000400	Metaco			
	21219681	Rockwell			

① See page 3

② These original part numbers are only for comparison purposes and identification.

Slack adjusters

Part No. ①	Ref. No. OEM ②	Application	LH / RH	M / A	Ref. No. Haldex ②
S1750014000	1358940 21219681 21013180 02175003700 02175007400 02175020600 02175029400 1723500 1723501 1872767	DAF Mertitor / ROR Rockwell SAF SAF SAF SAF Scania Scania Scania	LH / RH	M	100101047
S1750016000	4731113 6310215 A3874200338 A6174200338 A6194200738 A6554200038 A9424200238 A9424200438 A9454200238 B1006	DAF DAF Mercedes Benz Mercedes Benz Mercedes Benz Mercedes Benz Mercedes Benz Mercedes Benz Mercedes Benz Renault	LH	A	80000
S1750016100	4731121 944001169 A3874200238 A6174200438 A6194200638 A6554200138 A9424200338 A9424200538 A9424290338 A9454200338 B1007	DAF DAF Mercedes Benz Mercedes Benz Mercedes Benz Mercedes Benz Mercedes Benz Mercedes Benz Mercedes Benz Mercedes Benz Renault	RH	A	80001
S1750017000	A6194200038 A6194200238 A6234201238 A6234201438 A6524200038 A6584200238 A9424200038 A9424200938 A9424201238 A9454200038 4731295	Mercedes Benz Mercedes Benz Mercedes Benz Mercedes Benz Mercedes Benz Mercedes Benz Mercedes Benz Mercedes Benz Mercedes Benz Mercedes Benz Volvo	LH	A	80008C 72062

① See page 3

② These original part numbers are only for comparison purposes and identification.

Slack adjusters

Part No. ①	Ref. No. OEM ②	Application	LH / RH	M / A	Ref. No. Haldex ②
S1750017100	A9454200138 A9424201338 A9424200838 A6524200138 A6194200138 A6584200338 A6234201338 A6194200338 A6234201538 A9424200138 A6584200138	Mercedes Benz	RH	A	80009C 72594
S1750018000	A9454200438	Mercedes Benz	RH	A	80014
S1750018100	A9454200938	Mercedes Benz	LH	A	80030
S1750019000	A3574200538 A0002200071	Mercedes Benz	LH / RH	A	72059
S1750020000	81506106263 81506106253	MAN	LH	A	80176 80084
S1750020100	81506106266 81506106258	MAN	RH	A	80183 80086
S1750021000	81506106261 81506106251	MAN	LH	A	80180 80092
S1750021100	81506106262 81506106252	MAN	RH	A	80181 80093
S1750022000	81506106211 81506106165 81506106235 81506109211	MAN	LH	A	79208 72303 72968
S1750022100	81506106210 81506106166 81506106234 81998033226	MAN	RH	A	79209 72304 72969
S1750023000	81506106231 81506106081 81506106151 81506106057 81506106066 81506109231	MAN	LH / RH	A	79212 72972

① See page 3

② These original part numbers are only for comparison purposes and identification.

Slack adjusters

Part No. ①	Ref. No. OEM ②	Application	LH / RH	M / A	Ref. No. Haldex ②
S1750024000	81506106212 81506106154 81506106084 81506106048 81506106058 81506107154	MAN	RH	A	79211
S1750024100	81506106213 81506106153 81506106083 81506106049 81506106059	MAN	LH	A	79210
S1750025000	278737 394181 1112833 1789561 1865748 2009819	Scania	LH	A	79877 72660
S1750025100	278738 394182 1112834 1789562 1865747 2009820	Scania	RH	A	79878 72661
S1750026000	1358634 1789567	Scania	RH	A	79442
S1750026100	1358635 1789568	Scania	LH	A	79443
S1750029000	755616 755616R 755616A	DAF	LH	A	72704
S1750029100	755617 755617R 755617A	DAF	RH	A	72705
S1750030000	5010260117	Renault	LH	A	79310 79077
S1750030100	5010260118	Renault	RH	A	79311 79078
S1750032000	0517454690 81506106051 A3464201738	BPW MAN Mercedes Benz	LH	M	104407401
S1750032100	0517454700 81506106052 A3464201838	BPW MAN Mercedes Benz	RH	M	104507401

① See page 3

② These original part numbers are only for comparison purposes and identification.

Slack adjusters

Part No. ①	Ref. No. OEM ②	Application	LH / RH	M / A	Ref. No. Haldex ②
S1750033000	0557482873 0557483013 0517482633 0517482673 0517483173	BPW	LH / RH	A	80530
S1750034000	04175032700	SAF	LH	A	80303
S1750034100	04175032800	SAF	RH	A	80302
S1750035000	04175032500	SAF	LH	A	80293
S1750035100	04175032600	SAF	RH	A	80294
S1750036000	81506106264 81506106256	MAN	RH	A	80177
S1750037000	81506106255 81506106259	MAN	LH	A	80178
S1750038000	81506106254 81506106260	MAN	RH	A	80179

① See page 3

② These original part numbers are only for comparison purposes and identification.

Provided by

FAIR

- The right price for the right part – everywhere and at any time!

PROVEN

- After all these years on the road your vehicle still deserves tested components for a long life time – your truck and trailer will thank you by performing from every day!

RELIABLE

- It is not only that we offer reliable quality parts in one of the most demanding markets and that our parts keep your business moving – we are a partner you can depend on!