



# PRODUCT CATALOGUE

ORIGINAL SPARE PARTS

Edition 2020

Order no. 8 018 1020 00

Failsafe, true to size, and perfectly adjusted to the relevant component or the complete system, so that you can rely 100 % on **SAF-HOLLAND ORIGINAL PARTS** – whatever the application, whatever the circumstances, and all over the world. This means you can be certain of always being able to carry out your transportation orders reliably and highly efficiently, because in addition to their uncompromising quality, **SAF-HOLLAND ORIGINAL PARTS** have the following advantages to offer:

#### 1. WE DELIVER FAST – OFTEN EVEN WITHIN 24 HOURS

Time is money, and machine downtime costs you money, so we maintain a sophisticated logistics system for parts and can thus react quickly if required. You can obtain **SAF-HOLLAND ORIGINAL PARTS** either through our dense global network of more than 9000 competent dealerships and service partners, or directly from one of our own central backup warehouses. So that you can get back on the move again as quickly as possible — often within 24 hours.

#### 2. YOU WILL GET PRACTICALLY EVERYTHING – EX WAREHOUSE

If servicing or repairs are needed, we are at your immediate disposal: Because we have been dealing with the demands of spare part dealers, garages and fleet customers for decades, we are well-placed to be able to cater for them in day-to-day operations. The solid basis for this is the unusually wide and extensive range of **SAF-HOLLAND ORIGINAL PARTS** we offer – and our country organizations throughout Europe always keep stocks of the most important parts. Efficiency from A-Z — on standby ex warehouse.

#### 3. CONTINUOUSLY AVAILABLE – FOR YEARS

Longevity and ease of servicing are just two of the outstanding performance features of our components and systems. They are thus often in use in trucks and trailers for many years without any problems, not least because of the key contribution made by **SAF-HOLLAND ORIGINAL PARTS** towards ensuring their reliability and maintaining their value. This contribution alone is reason enough for us to ensure that you can obtain exactly the part you need at any time — for years.

#### 4. YOU CAN BE CERTAIN THAT YOU ARE GETTING EXACTLY THE PART THAT YOU NEED

It is not only in the development and production of our products that we have always seen ourselves as pioneers. In supplying spare parts, too, we always look for our own, even better solution. Consequently, you will already find a QR-code on many of our components and systems – your electronic key to an immediate overview of all the relevant **SAF-HOLLAND ORIGINAL PARTS**. With it you can unequivocally establish at any time exactly which part you really need. This is not only particularly convenient and practical, but above all 100 % certain.

#### 5. COMPETENCE AND SERVICE – HAND IN HAND

We see ourselves not only as a supplier of highly efficient parts and systems: more than anything else, we are also your guarantee of a continuous and certain supply of spare parts. Accordingly, we are constantly monitoring our standards, and we maintain direct contact with our trade and workshop partners and with our fleet customers. This allows us to put our production quality and the speed and reliability of our logistics to the test again and again, enabling us to improve the **SAF-HOLLAND ORIGINAL PARTS** service systematically — hand in hand with our customers and suppliers.

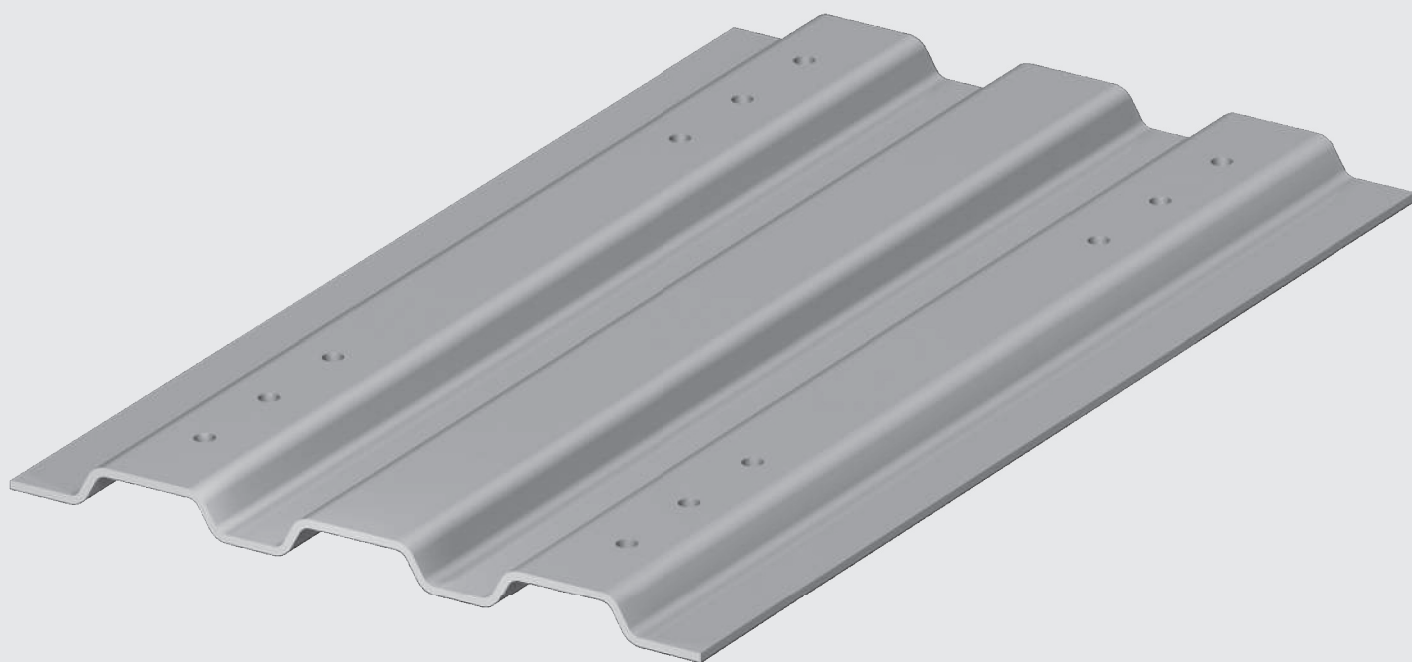
#### 6. WE ARE THERE FOR YOU – WITH ADVICE AND ASSISTANCE AT THE READY

“The whole is more than the sum of all the parts”, as they say – and that is why for us, supplying spare parts means far more than simply providing them. For us, it also means service and commitment, and we offer practical support as a matter of course – whether it’s a question of giving you personal advice or the practical solution to a problem. Whenever you need **SAF-HOLLAND ORIGINAL PARTS**, we are the crucial “part”, because we will always be there for you – committed, professional and reliable, with advice and assistance at the ready.

**WITH THE QUALITY OF THE ORIGINAL:  
SAVE TIME AND MONEY – AND GAIN CERTAINTY FOR  
PLANNING AND IMPLEMENTATION!**



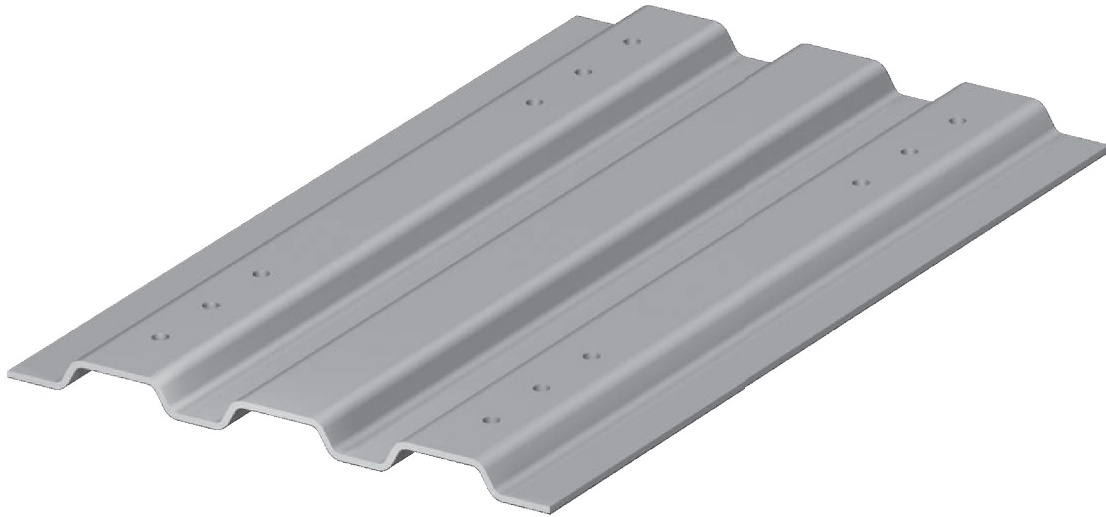
SAF-HOLLAND Group



# MOUNTING PLATES

PRE-DRILLED – UN-DRILLED  
MOUNTING KITS

## MOUNTING PLATES WITHOUT PRE-DRILLED HOLES



- Made of high grade, weldable steel plate
- Approved for forced steering
- Mounting hole pattern according to DIN 74081, 74084 pattern according to DIN 74081, 74084 and ISO 3842
- Type approved

## MOUNTING PLATES WITHOUT PRE-DRILLED HOLES FOR FIFTH WHEEL UP TO 22 T IMPOSED LOAD

Mounting hole pattern according to DIN 74081 / ISO 3842

Type	Overall height [mm]	Imposed load [t]	D-value [kN]	Weight [kg]	A [mm]	B [mm]	Mounting kit SK-MP	Type approval	Order no.
MP 300	12	22	162,4	64,0	710	960	555	E11 55R-01 0379	<b>662101300</b>
MP 299	12	22	162,4	69,0	710	1060	555	E11 55R-01 0379	<b>662101299</b>
MP 433*	12	22	162,4	60,0	710	960	514	E11 55R-01 0379	<b>662101433</b>
MP 644	12	22	162,4	64,0	715	960	555	E11 55R-01 0379	<b>662101644</b>
MP 486**	12	20	152,0	44,5	650	960	555	E11 55R-01 0953	<b>662101486</b>
MP 645**	12	20	152,0	63,0	650	960	555	E11 55R-01 0953	<b>662101645</b>
MP 549**	12	18	135,0	50,0	650	1060	555	E11 55R-00 6317	<b>662101549</b>
MP 648	12	22	162,4	45,0	650	960	555	E11 55R-01 0379	<b>662101648</b>
MP 672	12	22	162,4	45,0	650	1060	555	E11 55R-01 0379	<b>662101672</b>
MP 106	22	22	162,4	41,0	665	960	353	E11 55R-01 0380	<b>662101106</b>
MP 199	22	22	162,4	45,0	665	1060	353	E11 55R-01 0380	<b>662101199</b>
MP 646	23	22	162,4	48,0	765	960	353	E11 55R-01 0380	<b>662101646</b>
MP 060	40	22	162,4	45,0	665	960	498	E11 55R-01 0378	<b>662101060</b>
MP 078	40	22	162,4	49,0	665	1060	498	E11 55R-01 0378	<b>662101078</b>
MP 649	40	22	162,4	52,0	765	960	498	E11 55R-01 0378	<b>662101649</b>
MP 331**	100	16	108,0	81,0	710	970	498	E11 55R-01 0383	<b>662101331</b>

SK = fifth wheel, MP = mounting plate

\* MP, suitable for SK-S 36.22 with an overall height of 132 mm

\*\* MP with cut-out suitable for SK-S 36.20 with an overall height of 128 mm

For mounting widths wider than 930 mm, mounting plates of 1060 mm (B) are required.

## MOUNTING PLATES WITHOUT PRE-DRILLED HOLES FOR FIFTH WHEEL UP TO 36 T IMPOSED LOAD

Mounting hole pattern according to DIN 74084 / ISO 3842

Type	Overall height [mm]	Imposed load [t]	D-value [kN]	Weight [kg]	A [mm]	B [mm]	Mounting kit SK-MP	Type approval	Order no.
MP 301	16	36	280	84,2	710	960	553	e11*94/20*0385	<b>662101301</b>
MP 302	16	36	280	94,0	710	1060	553	e11*94/20*0385	<b>662101302</b>
MP 274	50	36	220	72,0	710	960	551	E11 55R-01 0387	<b>662101274</b>

Suitable for SK-HD 38.36 / G

## MOUNTING PLATES WITH PRE-DRILLED HOLES

The following mounting plates are already equipped with respective mounting hole patterns of the vehicle manufacturers.

Type	Overall height [mm]	OEM-Manufacturer hole pattern	Imposed load [t]	D-value [kN]	Weight [kg]	A [mm]	B [mm]	Type approval	Order no.
MP 525*	12	MAN	20	152	40	650	960	E11 55R-01 0953	<b>662101525</b>
MP 526*	12	Mercedes-Benz	20	152	40	650	960	E11 55R-01 0953	<b>662101526</b>
MP 527*	12	SCANIA	20	152	45	650	960	E11 55R-01 0953	<b>662101527</b>
MP 532	12	IVECO	22	162,4	63	715	960	E11 55R-01 0379	<b>662101532</b>
MP 544*	12	IVECO	20	152	63	715	960	E11 55R-01 0953	<b>662101544</b>
MP 630*	12	Renault	18	135	50	650	1060	E11 55R-01 6317	<b>662101630</b>
MP 631*	12	Mercedes-Benz	18	135	50	650	1010	E11 55R-01 6317	<b>662101631</b>
MP 594	12	SCANIA	22	162,4	58	650	960	E11 55R-01 0379	<b>662101594</b>
MP 577	40	SCANIA	22	162,4	54	775	960	E11 55R-01 0378	<b>662101577</b>
MP 440	22	SCANIA	22	162,4	41	665	960	E11 55R-01 0380	<b>662101440</b>
MP 574	22	MAN	22	162,4	41	665	960	E11 55R-01 0380	<b>662101574</b>
MP 586**	24	Mercedes-Benz	22	162,4	42,0	650	1010	E11 55R-01 0380	<b>662101586</b>
MP 595	23	SCANIA	22	162,4	48,0	765	960	E11 55R-01 0380	<b>662101595</b>
MP 441	40	SCANIA	22	162,4	45	665	960	E11 55R-01 0378	<b>662101441</b>
MP 511	40	DAF	20	152	40	700	960	E11 55R-01 0951	<b>662101511</b>
MP 596	40	SCANIA	22	162,4	52	765	960	E11 55R-01 0378	<b>662101596</b>
MP 632	12	Mercedes-Benz	22	162,4	61	650	1010	E11 55R-01 0379	<b>662101632</b>
MP 641	12	FORD	18	135	66	650	1050	E11 55R-01 6317	<b>662101641</b>
MP 640	12	FORD	22	162,4	69	710	1050	E11 55R-01 0379	<b>662101640</b>
MP 639	22	FORD	22	162,4	52	780	1050	E11 55R-01 0380	<b>662101639</b>
MP 638	40	FORD	22	162,4	57	780	1050	E11 55R-01 0378	<b>662101638</b>

\* for SK-S 36.20 / overall height 128 mm (with cut-out)

\*\* only for Mercedes Actros MP4

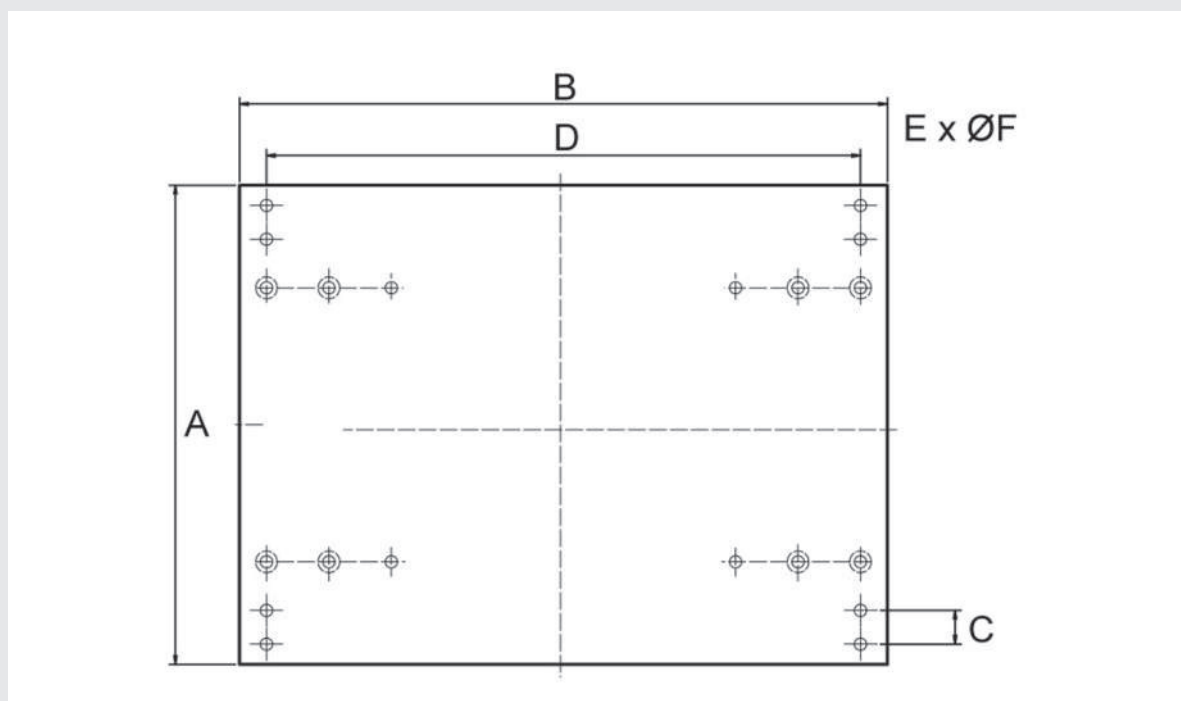
## TECHNICAL DATA AND USEABLE MOUNTING KITS

Type	Overall height [mm]	Mounting kit SK-MP	Mounting kit MP-FHR	A [mm]	B [mm]	C [mm]	D [mm]	E [mm]	F [mm]
MP 525*	12	662101555	552	650	960	50,75	880	8	18
MP 526*	12		550	650	960	50	860	8	21
MP 527*	12			650	960	50	880	8	19
MP 532	12		IVECO	715	960	45	860	12	19
MP 544*	12		IVECO	715	960	45	860	12	19
MP 630*	12		551	650	1060	50	940	12	18
MP 631*	12		550	650	1060	50	949	8	21
MP 594	12				650	960			
MP 577	40			775	960				
MP 440	22	662101498		665	960	50	880	8	19
MP 512	22	662101353	551	700	960	50	880	12	18
MP 574	22	662101498	552	665	960	50,75	880	8	18
MP 586	24	662101353		650	1010	50	949	18	18
MP 595	23	662101498		765	960	50	880	12	21
MP 441	40	662101353		665	960	50	880	8	19
MP 511	40	662101498	551	700	960	50	880	12	18
MP 596	40	662101498		765	960	50	880	12	21

SK = fifth wheel, MP = mounting plate, FHR = vehicle chassis

\* for SK-S 36.20 / overall height 128 mm (with cut-out)

## DIMENSIONS



Mounting hole pattern according to DIN 74081



## MOUNTING KITS

**Important: SAF-HOLLAND mounting kits contain special screws and bolts which guarantee high quality and extra safe mounting of our products.**

Type	Mounting	Model	Overall height [mm]	Order no.
514	SK on MP 16mm or MP 12mm before year of construction 2005	4x (M16x50x1.5), 8x (M16x55)	12 - 16	<b>662101514</b>
353	SK (2") on MP	12x (M16x55x1.5) 8.8	22 - ...	<b>662101353</b>
498	SK (2") on MP	12x (M16x50x1.5)	24 - 150	<b>662101498</b>
354	SK on MP and FHR	12x (M16x55x1.5)	50	<b>662101354</b>
452	SK on MP and FHR	4x (M16x50x1.5), 16x (M16x55x1.5)	12	<b>662101452</b>
550	MP on FHR (Mercedes-Benz Actros)	8x (M20x45x1.5)	12	<b>662101550</b>
551	SK (3½") on FHR	12x (M16x60x1.5)	24 - ...	<b>662101551</b>
552	MP on FHR	8x (M16x50x1.5)	12 - 40	<b>662101552</b>
553	SK (3½") on MP, for MP 301, MP 302	4x (M16x60x1.5), 8x (M16x55x1.5)	16	<b>662101553</b>
555	SK (2") on MP	12x (M16x55x1.5)	12	<b>662101555</b>
556	SK on MP302 and FHR, includes 514 + 557		16	<b>662101556</b>
557	MP on FHR, for MP 302 (3½")	8x (M20x65x1.5)	16	<b>662101557</b>

SK = fifth wheel, MP = mounting plate, FHR = vehicle chassis

## MOUNTING INSTRUCTIONS

### Mounting the fifth wheel on the mounting plate

For mounting fifth wheels as per DIN 74081, at least 8 high-tensile bolts are required, for fifth wheels as per DIN 74084, at least 12 high-tensile bolts, M16 or M16 x 1.5 of at least grade 8.8, in symmetrical order to the longitudinal and lateral axes of the fifth wheel.

### Mounting the MP on the vehicle frame / angle

Install mounting plates on the vehicle according to the instructions of the vehicle manufacturer. In the absence of the vehicle manufacturer guidelines, we recommend:

For 2" fifth wheels as per DIN 74081, at least 4 high-tensile bolts, M16 x 1.5, of at least grade 8.8, or 4 high-tensile bolts, M20 x 1.5, of at least grade 8.8, on each side.

For 3½" fifth wheel as per DIN 74084, at least 6 high-tensile bolts, M16 x 1.5, of at least grade 8.8, or 4 high-tensile bolts, M20 x 1.5, of at least grade 8.8, on each side.

The mounting brackets and the mounting plate can be screwed by welded stop plates.

Tighten M16 x 1.5 bolts, of at least grade 8.8, with a torque of 190 Nm.

Tighten M20 x 1.5 bolts, of at least grade 8.8, with a torque of 350 Nm.

After assembling fifth wheels and mounting plates have to be approved by a national inspection authority.





Notruf +49 6095 301-247  
Emergency Hotline

Kundendienst +49 6095 301-602  
Customer Service

Aftermarket +49 6095 301-301  
Spare Parts

Fax +49 9095 301-494

[originalparts@safholland.de](mailto:originalparts@safholland.de)  
[www.safholland.com](http://www.safholland.com)

