



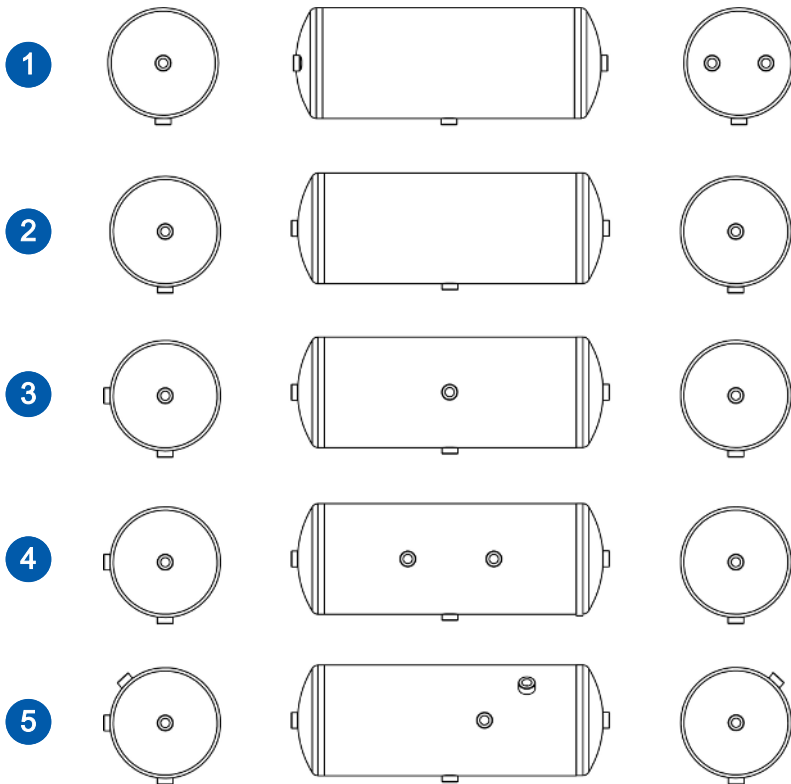
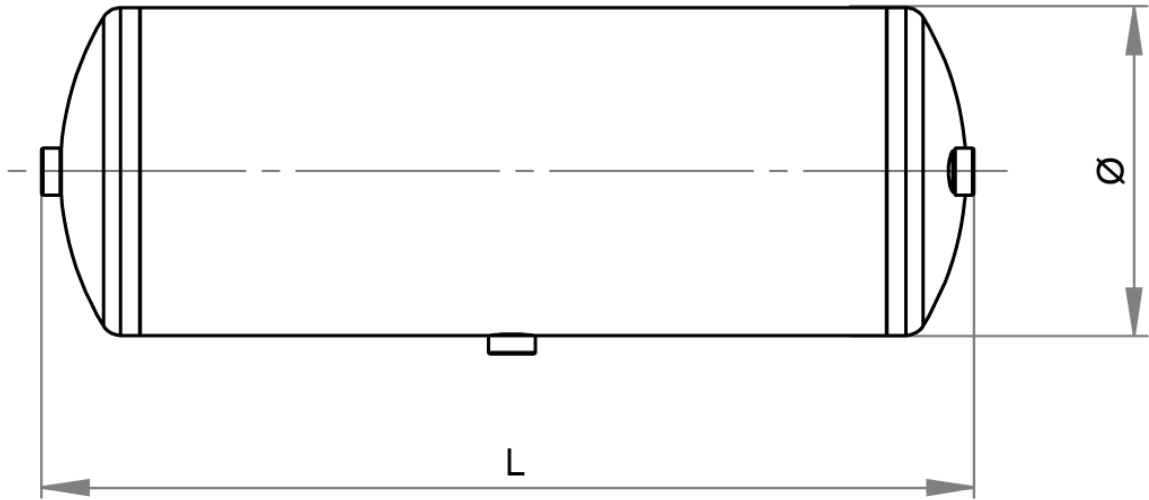
www.sauer-qualityparts.com



AIRTANKS

Truck and Trailer Parts

Universal Airtanks steel



1 ... 5 Version 1 ... 5

All Airtanks are conform to the requirements of EN 286-2 1997.

Universal Airtanks steel

Part No. ①	Volume	∅ mm	L mm	Bar	Version	Wabco ②	Knorr ②	Haldex ②	PE ②
S1050020010	5	206	215	15,5	1	–	–	030350009	–
S1050001010	10	206	355	15,5	1	9504100040	VB3301/206 VB3701/206	030350209	076.450-10A 026.053-00A 076.484-00A
S1050021010	15	206	525	15,5	1	9504150050	VB33015/206	030363609	026.039-00A 026.043-00A
S1050016010	20	206	690	15,5	1	4510203000 9504200030	VB3302/206 VB3702/206	030350509	076.450-00A 016.231-00A
S1050003010	20	246	500	12,5	1	9505200030	VB3302/246 VB3702/246	030350609	016.229-00A 016.232-00A 036.053-00A 076.450-20A
S1050074010	25	246	590,5	12,5	1	–	–	–	036.358-00A
S1050004010	30	246	700	12,5	1	9505300020 9505300030	VB3303/246 VB3703/246	030350909	076.451-00A 016.233-00A
S1050012010	30	276	588	15	1	9507300070	VB3303/276 VB3703/276	–	076.452-10A 016.224-00A
S1050023010	36	300	582	12,5	2	–	–	–	–
S1050024010	37	246	860	15,5	1	4510373010 9505370010	–	030001319D	076.451-10A
S1050025010	40	246	922	15,5	1	9505400010	VB3304/246 VB3704/246	303501509	076.452-00A 016.234-00A 036.057-00A
S1050005010	40	276	745	12,5	1	9507400020	VB3304/276 VB3704/276	030351209	076.453-00A 016.235-00A 036.056-00A
S1050048010	40	310	625	12,5	1	9507409060	VB3304/310	030362009	076.459-00A
S1050026010	40	310	626	12,5	3	–	–	–	–
S1050032010	45	300	740	12,5	3	9508450020	–	–	–
S1050033010	45	300	740	12,5	4	9508450010	–	032304513S	076.488-00A
S1050050010	60	246	1352	12,5	1	4510603010 9505600010 9505600020	VB3306/246	030351809	076.454-10A
S1050007010	60	276	1100	12,5	1	9507600020	VB3306/276 VB3706/276	030351609	076.454-00A

① See page 3

② These original part numbers are only for comparison purposes and identification.

Universal Airtanks steel

Part No. ①	Volume	∅ mm	L mm	Bar	Version	Wabco ②	Knorr ②	Haldex ②	PE ②
S1050049010	60	300	950	12,5	4	9500600090	–	032306013S	076.462-00A
S1050006010	60	310	895	12,5	1	9500600030	VB3306/310 VB3706/310	030360809	076.455-00A
S1050028010	60	396	565	10	1	9500600040	VB3306/396 VB3706/396 VB3406/396	030351709	076.456-00A
S1050029010	80	310	1153	12,5	1	–	VB3308/310 VB3708/310	–	076.560-00A
S1050010010	80	396	730	10	1	9500800020	VB3308/396 VB3708/396 VB3408/396	030352009	076.457-00A
S1050013010	120	396	1067	10	1	–	–	–	076.463-00A

① See page 3

② These original part numbers are only for comparison purposes and identification.

Universal Airtanks aluminium

Part No. ①	Volume	∅ mm	L mm	Bar	Version	Wabco ②	Knorr ②	Haldex ②	PE ②
S1050001020	10	206	381	15,5	1	–	–	0301020615C	076.470-00A
S1050016020	20	206	685	15,5	1	–	VB4302/206	0302020615C	076.472-00A
S1050003020	20	246	509	15	1	–	VB4302/246	0302024615C	076.473-00A
S1050004020	30	246	709	12,5	1	9505309030	VB4303/246	0303024615C	076.475-00A 026.052-00A
S1050012020	30	276	591	12,5	1	–	VB4303/276	–	076.476-00A
S1050005020	40	276	766	12,5	1	9507409040	VB4304/276	0304027615C	076.479-00A
S1050048020	40	310	625	12,5	1	–	VB4304/310	0304031013C	076.537-00A 076.539-00A
S1050007020	60	276	1110	12,5	1	–	VB4306/276	–	076.482-00A
S1050006020	60	310	907	12,5	1	9509600020	VB4306/310	0306031013C	076.483-00A
S1050028020	60	396	570	12,5	1	–	VB4306/396	0306039612C	076.540-00A
S1050029020	80	310	1175	11	1	–	–	–	–
S1050010020	80	396	748	12,5	1	9500809030	VB4308/396	0308039612C	076.547-00A 076.485-00A
S1050030020	100	396	915	10	1	–	VB4310/396	03010039612C	076.486-00A
S1050013020	120	396	1067	10	1	–	–	–	076.529-00A

① See page 3

② These original part numbers are only for comparison purposes and identification.

Vehicle specific Airtanks steel

Part No. ①	Ref. No. OEM ②	Application	Volume	Ø mm	L mm	Bar
S1050059010	A0014320701 A0014321001 A0014325801 A0014329001 A0014329101 A0034320301 A0044320501 A0054323001 A0064323401 A3754321901	Mercedes Benz	4	144	315	15,5
S1050061010	81514010037 81514010078 81514010114 81514010120 81514010194 81514010224 81514010515	MAN	4	154	273	12,5
S1050070010	A0044320601 A0054323101 A0064323501 A3754322001	Mercedes Benz	5,4	144	411,5	15,5
S1050072010	A0054322001 A0034320601	Mercedes Benz	6	144	453	15,5
S1050045010	A0054323301 A0064323701 A9584320201 A0034320801	Mercedes Benz	10	206	366	15,5
S1050064010	A0034320801 A0074321101 21018310	Mercedes Benz Mercedes Benz Volvo	10	206	371	15,5
S1050036010	A0054324001 A0064324101 A3754323501	Mercedes Benz	10	246	266	15,5
S1050035010	A0064324201 A0044326401 A0054324101 A0064328001 A3754323601	Mercedes Benz	10	246	277	15,5
S1050021010	4803545 42015440 98480832 504047697 504197586 5949780684	Iveco	15	206	525	15,5

① See page 3

② These original part numbers are only for comparison purposes and identification.

Vehicle specific Airtanks steel

Part No. ①	Ref. No. OEM ②	Application	Volume	Ø mm	L mm	Bar
S1050034010	A0054322401 A0064325001 A0034323301	Mercedes Benz	15	276	326	15,5
S1050038010	A0054324201 A0064323801 A3754323301	Mercedes Benz	20	206	677	15,5
S1050069010	A0044321901 A0054323401 A0064324301 A3754322301	Mercedes Benz	20	246	497	15,5
S1050044010	A0064326401	Mercedes Benz	20	246	509	15,5
S1050003010	A0004324801 A0004325101 A0014327501 A0024320001 A0034321201 A0034321301	Mercedes Benz	20	246	500	12,5
S1050073010	A0034321401 A0034321501 A0044323101 A0054322101 A0054323601 A0064325101 A0064325201	Mercedes Benz	20	276	412	15,5
S1050051010	0501207 1227887 1233666 1616331	DAF	20	300	373	12,5
S1050039010	A0044326801 A0054324301 A0064323901	Mercedes Benz	25	206	828	15,5

① See page 3

② These original part numbers are only for comparison purposes and identification.

Vehicle specific Airtanks steel

Part No. ①	Ref. No. OEM ②	Application	Volume	Ø mm	L mm	Bar
S1050022010	81514010150 81514010024 81514010032 81514010062 81514010067 81514010070 81514010084 81514015001 81514015022 81514015026 81514015027 81514015032 81514015043 81514015004 81514015070	MAN	25	246	589	15,5
S1050011010	A0034329301 A0044324201 A0054323801 A0064324401 A3754323701 7420904407 20904407	Mercedes Benz Mercedes Benz Mercedes Benz Mercedes Benz Mercedes Benz Renault Volvo	25	246	604,5	15,5
S1050068010	A0034329301 A0074320301	Mercedes Benz	25	246	606,5	15,5
S1050065010	A0034329401 A0054322601 A0064325301 A0074324501 A3754322601	Mercedes Benz	25	276	495	15,5
S1050071010	A0034323201 A0054322301 A0064324501 A3754322401	Mercedes Benz	30	246	714,5	15,5
S1050055010	5010525446	Renault	30	250	718	13
S1050060010	1519220 5021170384 1357950 1383777 2089991 488217	DAF Renault Scania Scania Scania Scania	30	276	571	14,5

① See page 3

② These original part numbers are only for comparison purposes and identification.

Vehicle specific Airtanks steel

Part No. ①	Ref. No. OEM ②	Application	Volume	Ø mm	L mm	Bar
S1050043010	A0044324301 A0054322201 A0054323901 A0064325401 A0064325501 A0074324701 A3754322701 A3754322801 7420904408 20904408	Mercedes Benz Mercedes Benz Mercedes Benz Mercedes Benz Mercedes Benz Mercedes Benz Mercedes Benz Mercedes Benz Mercedes Benz Reanult Volvo	30	276	585	15,5
S1050075010	A0004328801 A0014320201 A0024320801 A0034322101 A0074322101	Mercedes Benz	30	276	599,5	15,5
S1050062010	81514010180 81514010204 81514010239 81514010245 81514010249 81514010253 81514016013 81514016021	MAN	30	310	462	12,5
S1050037010	A0054323501 A0064324601	Mercedes Benz	35	246	821	15,5
S1050042010	A0054222701 A0054322701 A0064325601 A0034329501	Mercedes Benz	35	276	663	15,5
S1050047010	1227888 1616332 1733544 1233667	DAF	36	300	606	12,5
S1050041010	A0054322901 A0064324701	Mercedes Benz	40	246	932,5	15,5
S1050077010	A0054322501 A0034323901 A0064325701	Mercedes Benz	40	276	758	15,5
S1050063010	81514010182 81514010241 81514016015 81514010206 81514010251 81514010255	MAN	40	310	605	12,5

① See page 3

② These original part numbers are only for comparison purposes and identification.

Vehicle specific Airtanks steel

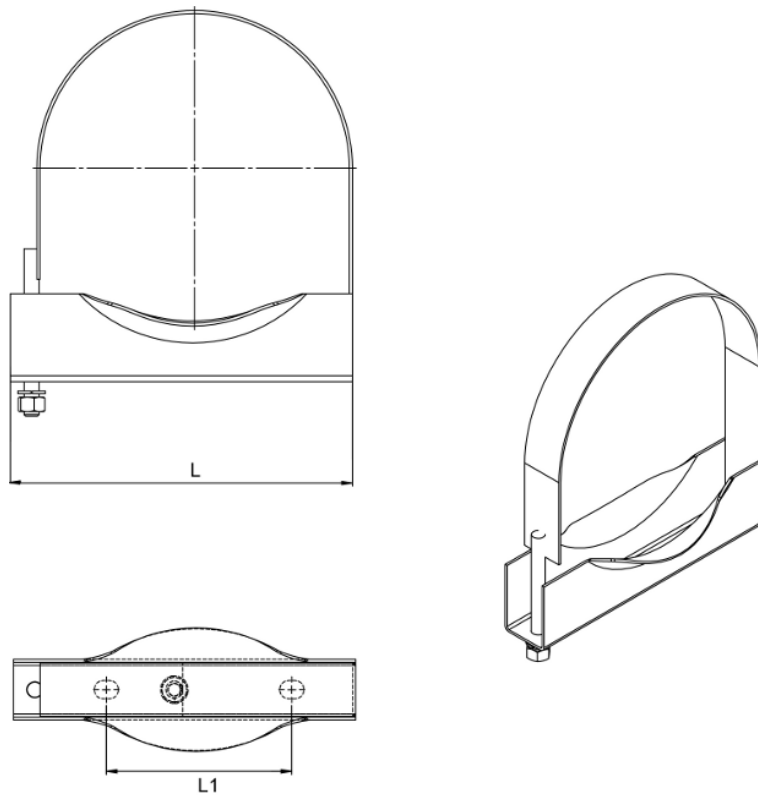
Part No. ①	Ref. No. OEM ②	Application	Volume	Ø mm	L mm	Bar
S1050076010	A0034329901 A0054322801 A0064325801	Mercedes Benz	45	276	844	15,5
S1050040010	A0054323701 A0064324901	Mercedes Benz	60	246	1369	15,5
S1050006010	1935517 050459	Scania Schmitz	60	310	895	12,5
S1050052010	A0004321101	Mercedes Benz	85	276	1503	12,5
S1050030010	1935520 050462	Scania Schmitz	100	396	915	10

① See page 3

② These original part numbers are only for comparison purposes and identification.

Stripes

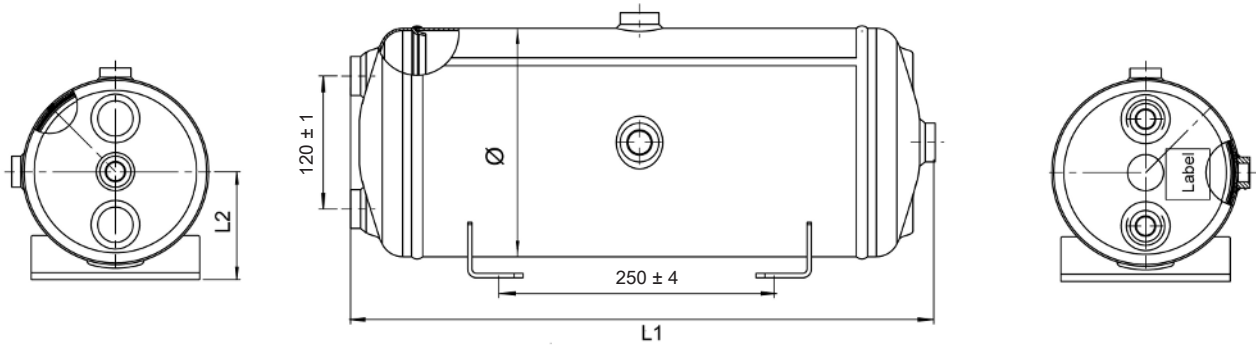
Part No. ①	Ø mm	L mm	L1 mm	Wabco ②	Knorr ②	Haldex ②	PE ②
S4050020600	206	225	122	4519992062	VB3206/2	307020600	076.500-00A
S4050024600	246	267,5	162	4519992462 4519011012	VB3246/2	307024600	076.501-00A
S4050027600	276	301	1100	4519992762 4519011022	VB3276/2	307027600	076.502-00A
S4050031000	310	332	227	4519993102 4519011032	VB3310/2	307031000	076.503-00A
S4050039600	396	416	307	4519993962	VB3396/2	307039600	076.504-00A



① See page 3

② These original part numbers are only for comparison purposes and identification.

Universal Airtanks steel with braket

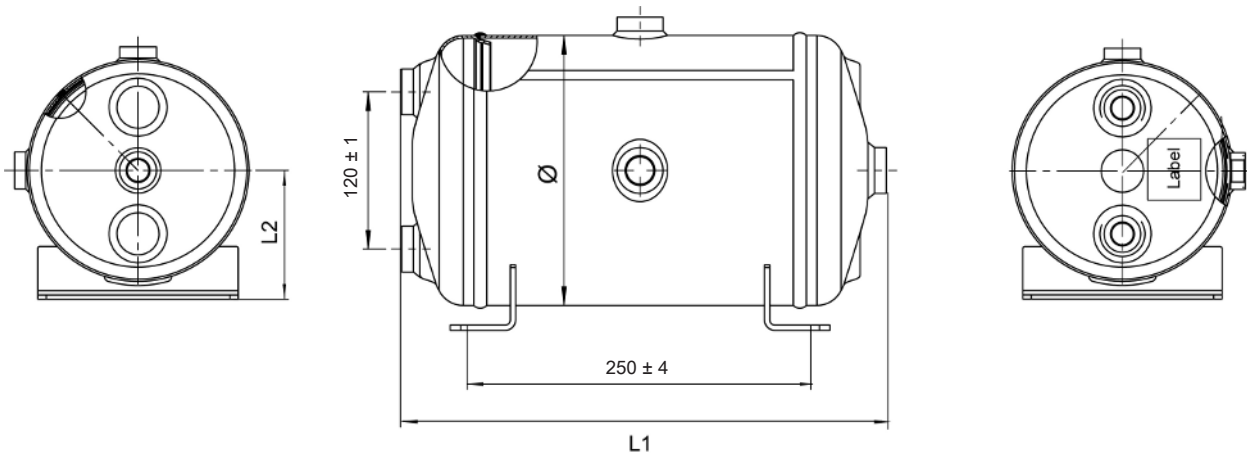


Part No. ①	Volume	Ø mm	L1 mm	L2 mm	Bar	Frauenthal ②
S1050080010	15	206	527	122	15,5	902278
S1050081010	20	206	690	122	15,5	902280
S1050084010	30	246	723	153	15,5	902321
S1050085010	30	276	583	167	15,5	902393
S1050086010	40	276	758	167	12,5	902404
S1050046010	40	310	618	185	12,5	902420
S1050087010	60	276	1108	167	15,5	902408
S1050088010	60	310	893	185	12,5	902427
S1050090010	80	310	1150	185	12,5	902428
S1050091010	80	396	750	228	12,5	902439
S1050092010	100	396	915	228	12,5	902442

① See page 3

② These original part numbers are only for comparison purposes and identification.

Universal Airtanks steel with braket



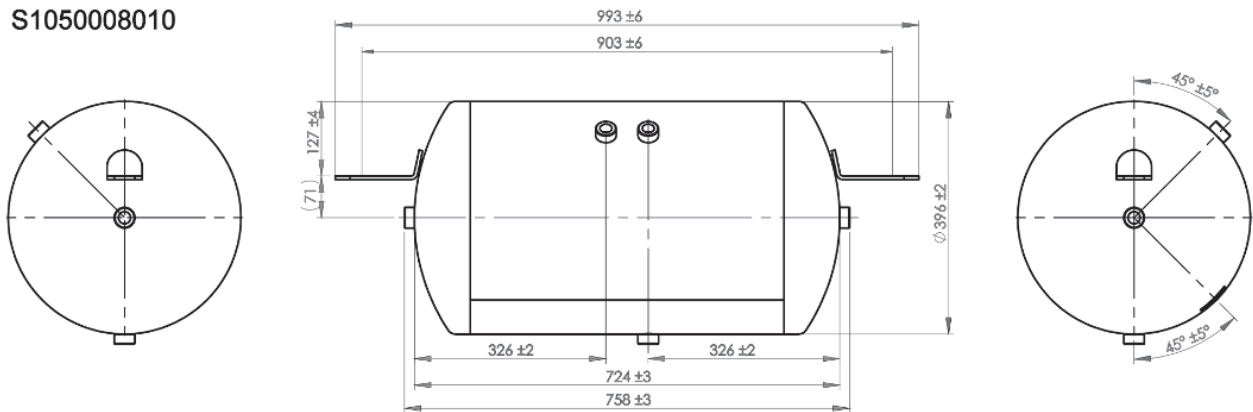
Part No. ①	Volume	Ø mm	L1 mm	L2 mm	Bar	Frauenthal ②
S1050079010	10	206	370	122	15,5	902276
S1050082010	20	246	503	153	15,5	902311
S1050083010	20	276	414	167	15,5	902384
S1050089010	60	396	580	228	12,5	902433

① See page 3

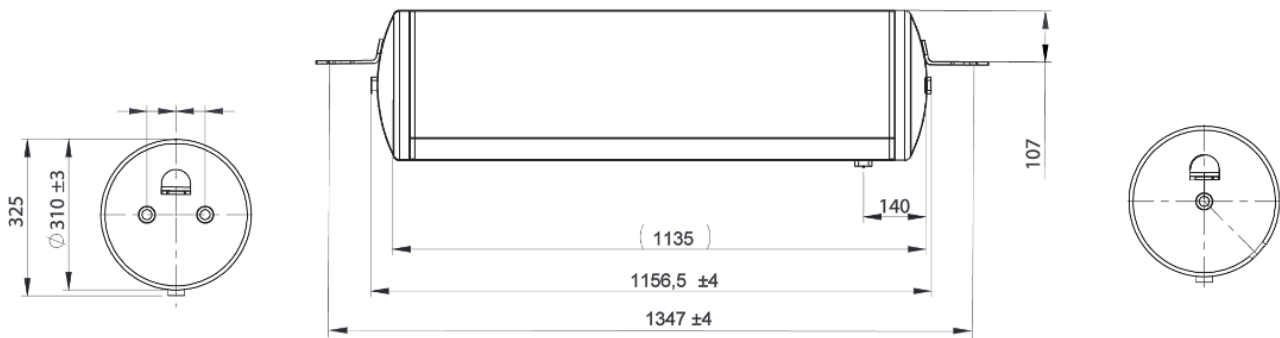
② These original part numbers are only for comparison purposes and identification.

Vehicle specific Airtanks steel with braket

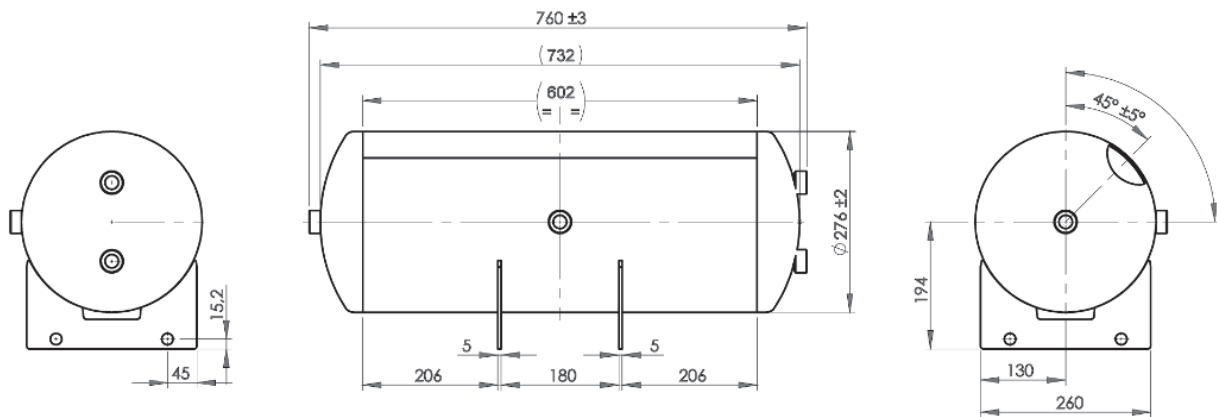
S1050008010



S1050009010



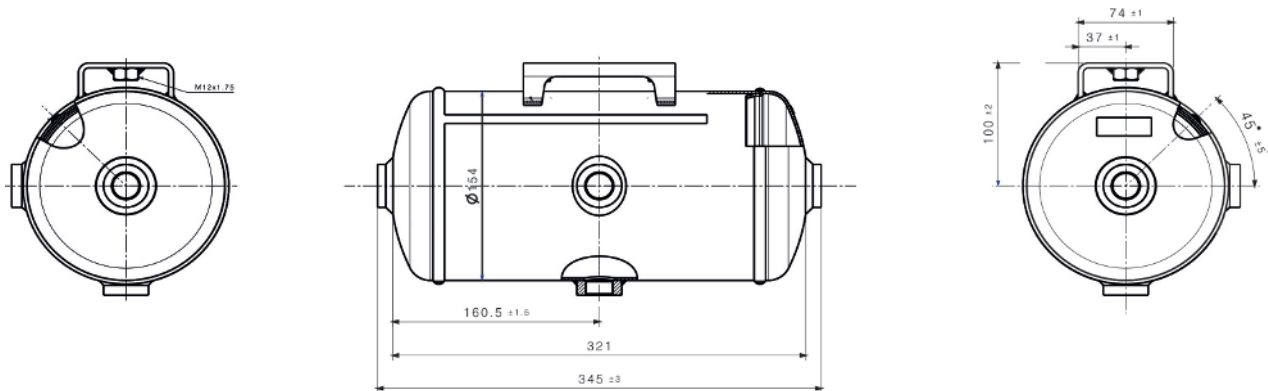
S1050031010



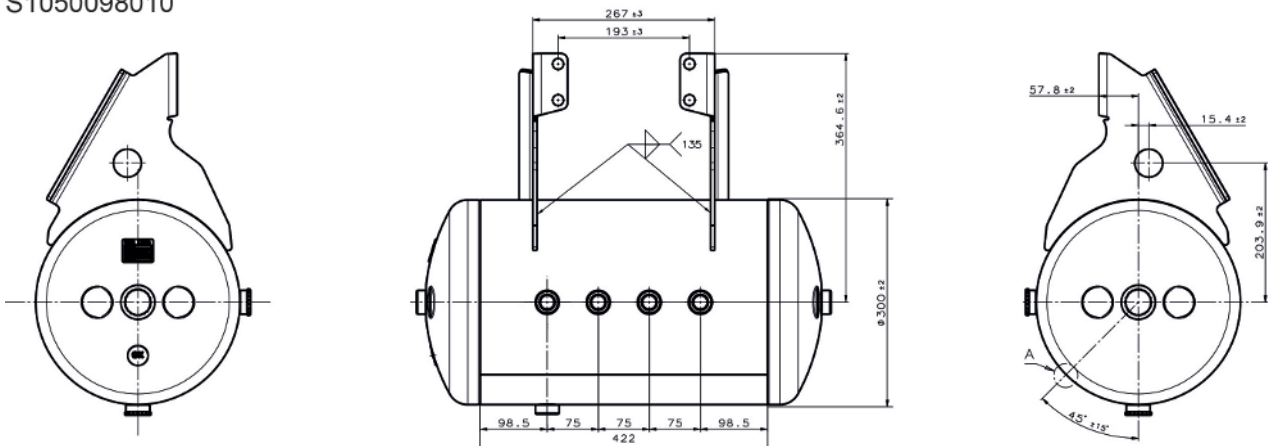
All Steel Airtanks are conform to the requirements of EN 286-2 1997.

Vehicle specific Airtanks steel with braket

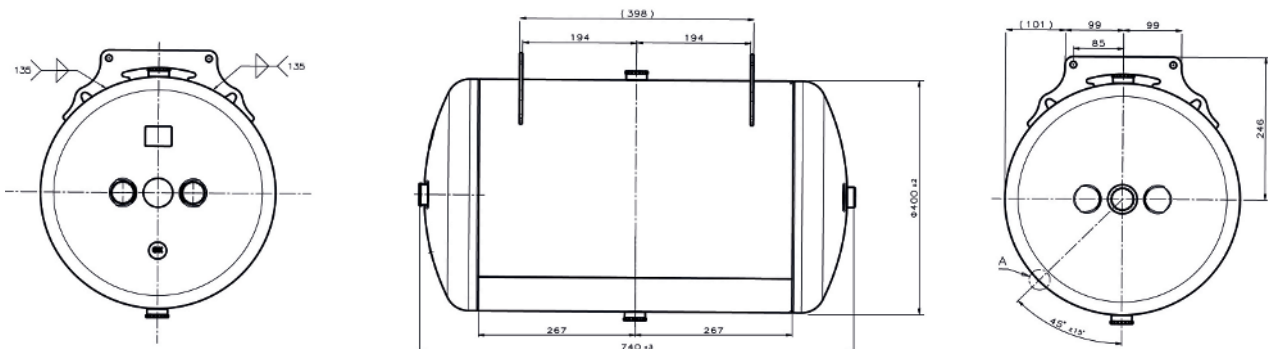
S1050014110



S1050098010



S1050099010



All Steel Airtanks are conform to the requirements of EN 286-2 1997.

Vehicle specific Airtanks steel with braket

Part No. ①	Ref. No. OEM ②	Application	Volume	Ø mm	Bar	PE ②
S1050014110	–	–	5	154	15,5	–
S1050098010	1691625 1685296	DAF	36	300	12,5	106.518-00A
S1050031010	055798 1189865	Schmitz	40	276	12,5	296.103-00A
S1050009010	1189864 1193014 115808 051202	Schmitz	80	310	12,5	296.100-00A
S1050008010	1189863 1193012 1009330 115826	Schmitz	80	396	12,5	296.101-00A
S1050099010	055138 055192 1153350 1277932	Schmitz	80	400	12,5	296.102-00A

Clamping braket kit

Part No. ①	Ref. No. OEM ②	Application	Suitable for	PE ②
S4050100000	051375 126948 570345 1201230	Schmitz	S1050008010 S1050009010	296.151-00A

① See page 3

② These original part numbers are only for comparison purposes and identification.

Notes

Provided by

FAIR

- The right price for the right part – everywhere and at any time!

PROVEN

- After all these years on the road your vehicle still deserves tested components for a long life time – your truck and trailer will thank you by performing from every day!

RELIABLE

- It is not only that we offer reliable quality parts in one of the most demanding markets and that our parts keep your business moving – we are a partner you can depend on!