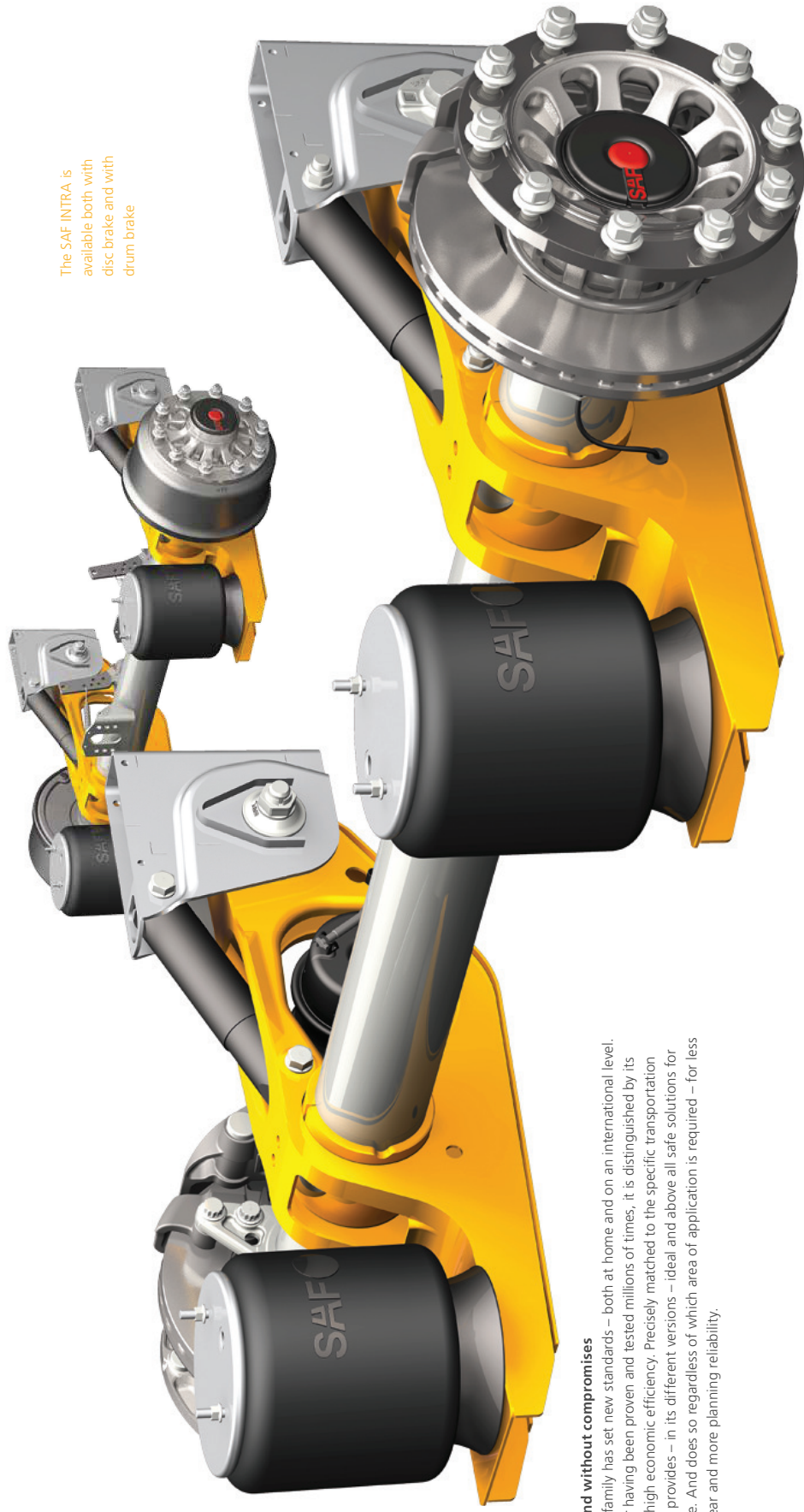


THE INTRA FAMILY



The SAF INTRA is available both with disc brake and with drum brake

Efficient and without compromises

The INTRA family has set new standards – both at home and on an international level. Today, after having been proven and tested millions of times, it is distinguished by its particularly high economic efficiency. Precisely matched to the specific transportation task, INTRA provides – in its different versions – ideal and above all safe solutions for the 9t range. And does so regardless of which area of application is required – for less wear and tear and more planning reliability.

ONE UNIT – MANY VARIANTS AND APPLICATIONS ...

Especially protected due to its position in the functional suspension arm: the shock absorber



The patented SAFE-GUARD-DESIGN of the functional suspension arm protects the brake cylinder reliably from damage

Long-term conservation of value and functional safety through sophisticated cathodic dip coating with optimum corrosion protection down to the last detail

Functional suspension arm and axle tube form an inseparable and maintenance-free unit. This eliminates the need for U-bolts, clamping plates and nuts. The entire design is extremely robust and yet very lightweight

SAF INTRA PC PREMIUM COATED

As the first manufacturer, SAF-HOLLAND offered a 9t axle protected by Zinc metal spraying with a great success. Now we have gone a step further and have improved corrosion resistance with our new PREMIUM COATED process.

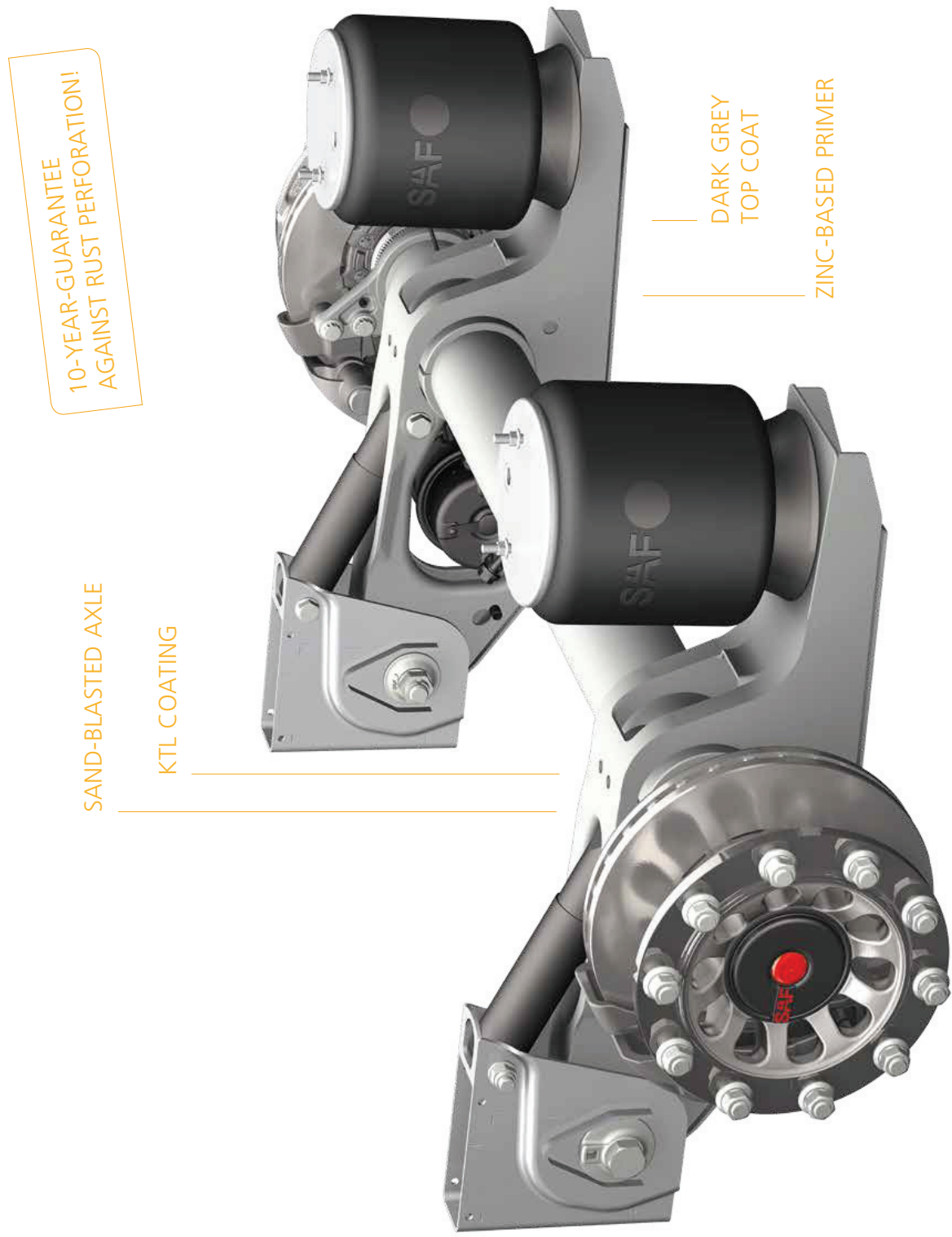
Trailer axles are exposed to environmental influences such as dirt and moisture and thus susceptible to corrosion.

With our new 3-layer PREMIUM COATED process, we achieve excellent corrosion protection by adding a high content of Zinc in the coating, guaranteeing long-lasting value retention of the product. This we give with a 10 year warranty for the axle road-worthiness due to corrosion.

By the way, the new PREMIUM COATED top layer is very easy to overpaint.

BENEFITS AT A GLANCE

- significant increase in corrosion resistance
- 10 year guarantee against rust
- continuous increase in operating efficiency
- available in INTRA range



10-YEAR-GUARANTEE
AGAINST RUST PERFORATION!

SAND-BLASTED AXLE
KTL COATING

DARK GREY
TOP COAT
ZINC-BASED PRIMER

OPTIMONS

ABS SENSING

SAF TWO-SIDE AXLE LIFT

SAF ONE-SIDE AXLE LIFT

SAF KILOMETRE COUNTER

SAF TIRE PILOT

BRAKE CYLINDERS

SAF UP TRAIN LOADING SYSTEM

PAD WEAR SENSING

SAF PROTECTOR SHEET

SAF PC PREMIUM COATED

SAF REINFORCED AIR SPRINGS

OPTIONS FOR THE AXLES

PRODUCT	SAF ABS SENSING	SAF TWO-SIDE AXLE LIFT	SAF ONE-SIDE AXLE LIFT	SAF HUBODMETER	SAF TIRE PILOT	SAF BRAKE CHAMBERS	SAF UP TRAIN LOADING SYSTEM	SAF PAD WEAR SENSING	SAF PROTECTOR SHEET	SAF PC PREMIUM COATED	SAF REINFORCED AIR SPRINGS
DESCRIPTION	- exciter ring and sensor holder (as standard/pre-assembly) - can be activated using simple and reliable plug connections	- for 22.5" wheels - only weighs approx. 21 kg per axle - very simple retrofit	- specifically for low ride heights - only weighs approx. 30 kg - very simple retrofit	- measures the exact mileage of trailers - simple retrofit - quick and reliable mounting	- tyre-inflating system for trailers and semi-trailers - monitoring and preservation of the set tyre pressure in the trailer	- completes surface coating - high-quality internal components - fully integrated air connections	- one of the lightest train loading suspension on the market - springs not clamped during rail loading	- simple retrofit - can be connected to the Trailer ABS or to a separate control and display unit	- protects the brake disc against stone chipping and other foreign objects	- with our new 3-layer coating protection with up to 50 % Zinc content - very high corrosion protection	- with steel plungers for extreme loads
AXLE											
SAF INTRADISC PLUS INTEGRAL	X	X	X	X	X	X	X	X	X	X	X
SAF INTRADISC AIRVENT	X	X	X	X	X	X	X	X	X	X	X
SAF INTRADRUM	X	X	X	X	X	X	X	standard	standard	-	X
SAF INTRA CD DRUM	X	X	X	X	X	X	on request	-	standard	-	X
SAF INTRA CD DISC	X	X	X	X	X	X	on request	X	X	X	X
SAF INTRA CD TRAK	X	-	-	X	-	X	-	X	X	-	X
SAF INTRA MEGA	X	X	X	X	X	X	X	X	X	X	X
SAF INTRA SELF-STEERING AXLE	X	-	-	X	X	X	X	X	X	-	X



TRAILER AXLES AND
SUSPENSION SYSTEMS



COUPLING AND LIFTING
TECHNOLOGIES



SUSPENSIONS FOR
TRUCKS AND BUSES



SUSPENSIONS AND COMPONENTS
FOR COMMERCIAL VEHICLES



V. ORLANDI

COUPLING AND LIFTING
TECHNOLOGIES



TRAILER AXLES AND
SUSPENSIONS SYSTEMS